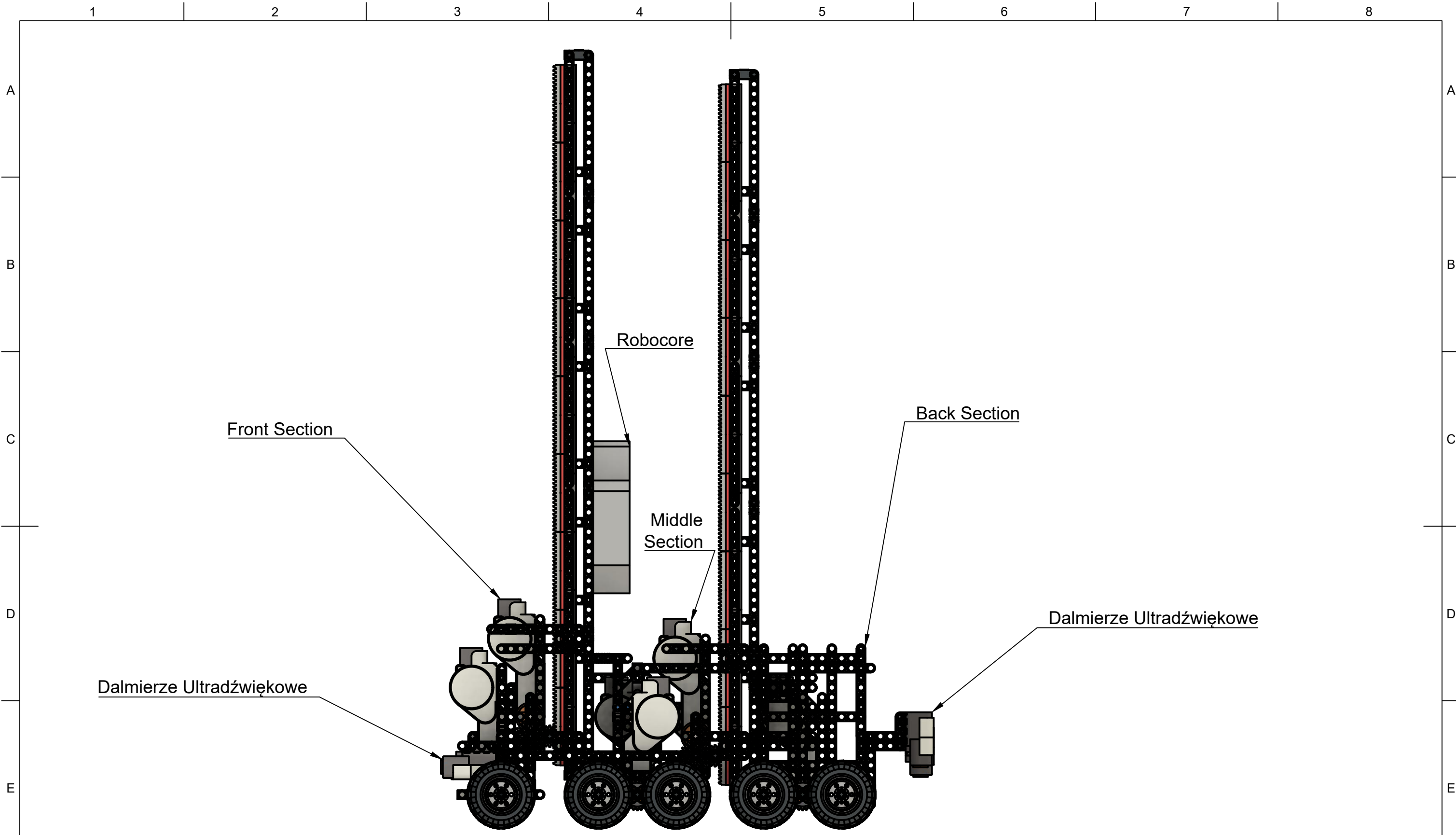
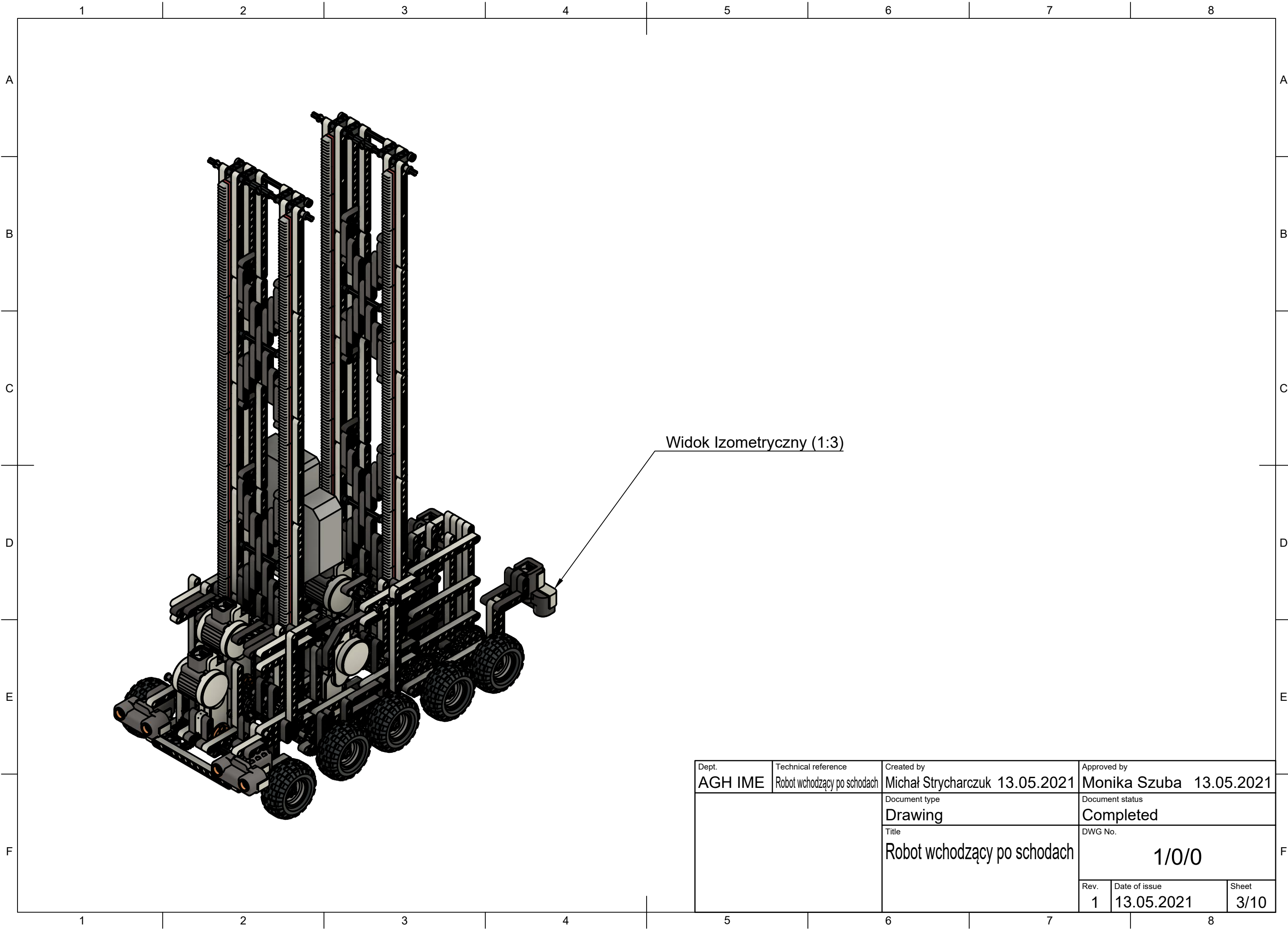


Dept. AGH IME	Technical reference <i>Robot wchodzący po schodach</i>	Created by Michał Strycharczuk 13.05.2021	Approved by Monika Szuba 13.05.2021
		Document type Drawing	Document status Completed
		Title Robot wchodzący po schodach	DWG No. 1/0/0
Rev. 1	Date of issue 13.05.2021	Sheet 1/10	

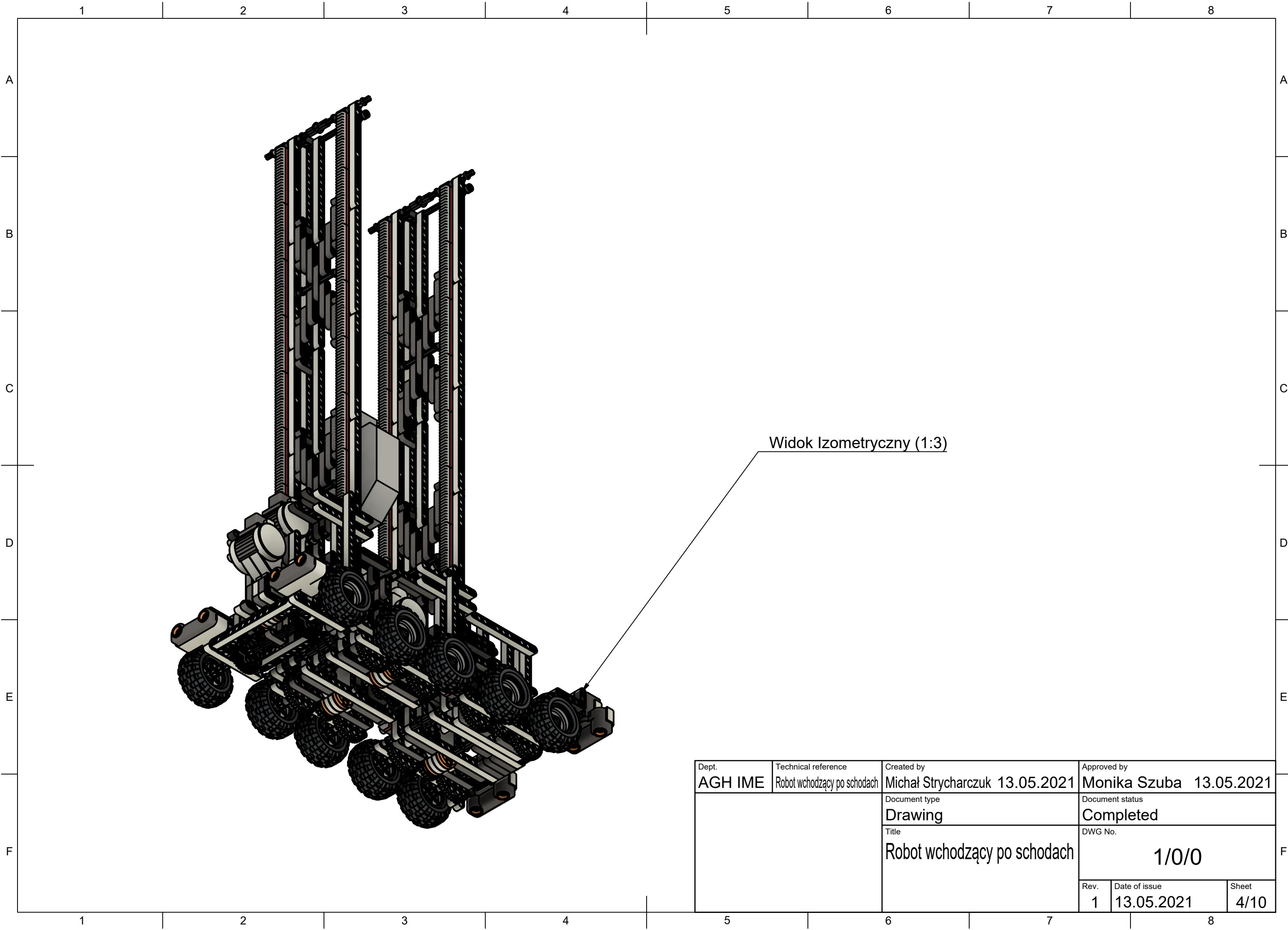


Dept. AGH IME	Technical reference <i>Robot wchodzący po schodach</i>	Created by Michał Strycharczuk 13.05.2021	Approved by Monika Szuba 13.05.2021
		Document type Drawing	Document status Completed
		Title Robot wchodzący po schodach	DWG No. 1/0/0
Rev. 1	Date of issue 13.05.2021	Sheet 2/10	



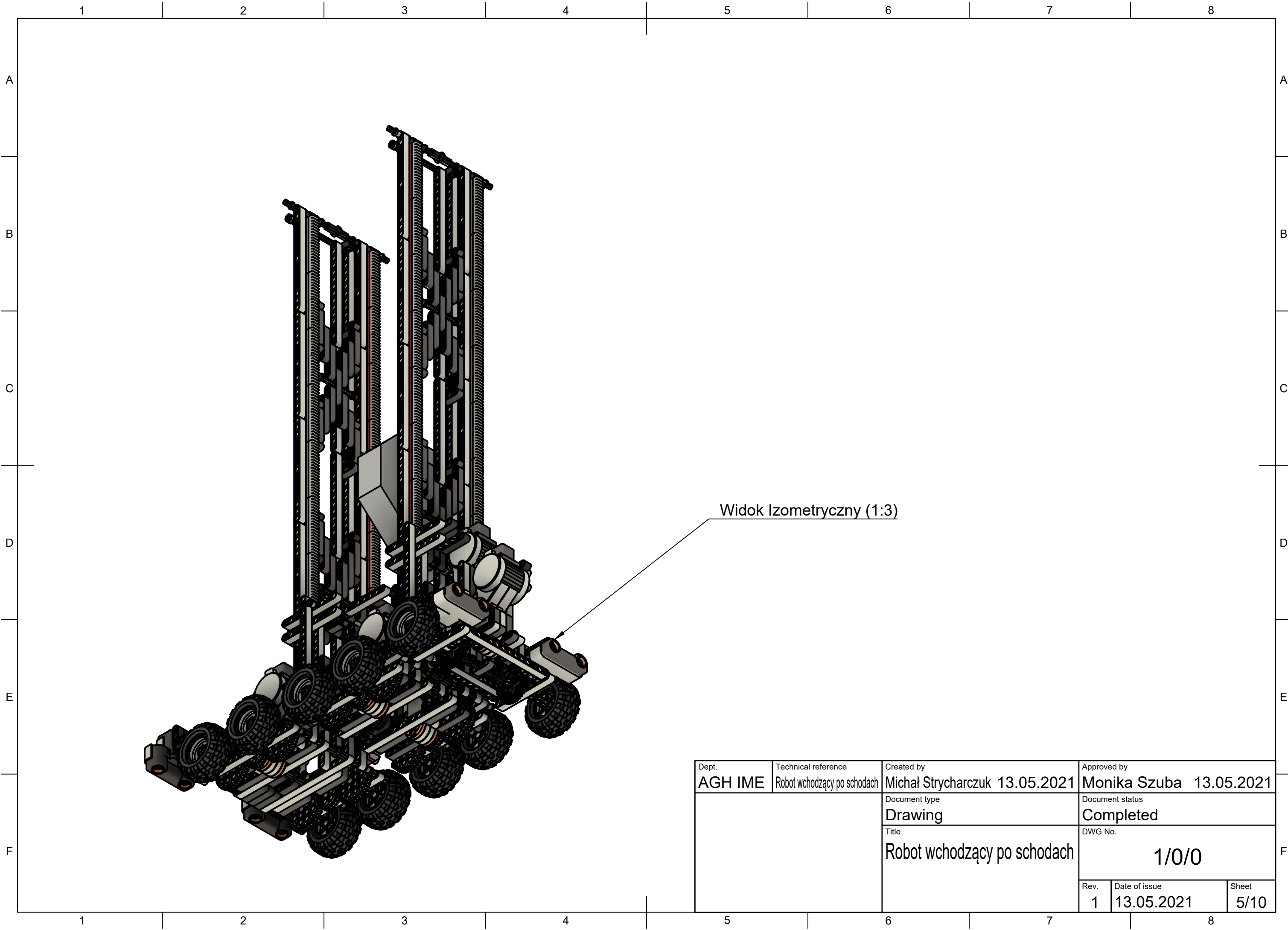
Widok Izometryczny (1:3)

Dept. AGH IME	Technical reference Robot wchodzący po schodach	Created by Michał Strycharczuk 13.05.2021	Approved by Monika Szuba 13.05.2021
		Document type Drawing	Document status Completed
		Title Robot wchodzący po schodach	DWG No. 1/0/0
		Rev. 1	Date of issue 13.05.2021
		Sheet 3/10	



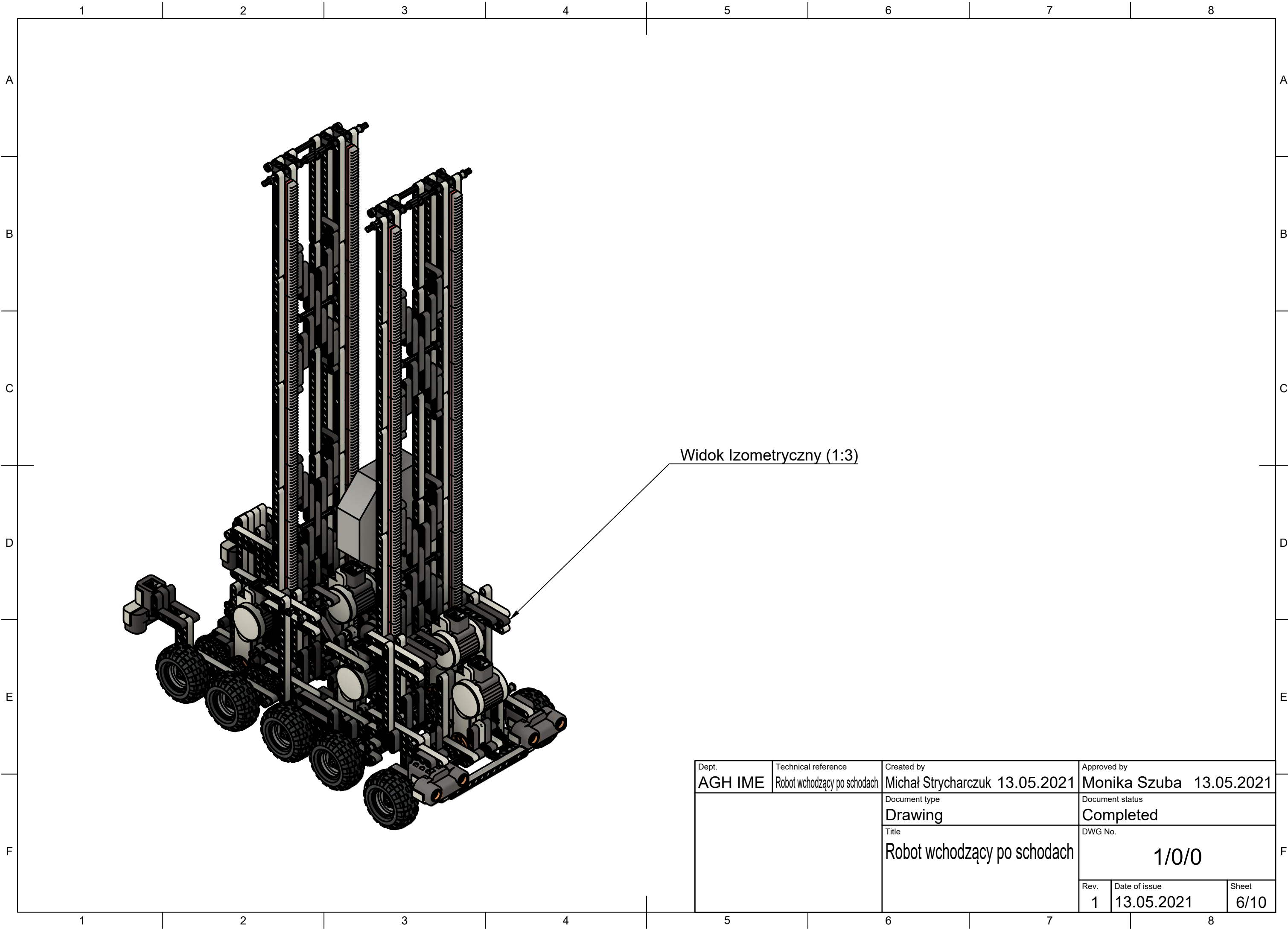
Widok Izometryczny (1:3)

Dept. AGH IME	Technical reference <i>Robot wchodzący po schodach</i>	Created by Michał Strycharczuk 13.05.2021	Approved by Monika Szuba 13.05.2021
		Document type Drawing	Document status Completed
		Title Robot wchodzący po schodach	DWG No. 1/0/0
	Rev. 1	Date of issue 13.05.2021	Sheet 4/10



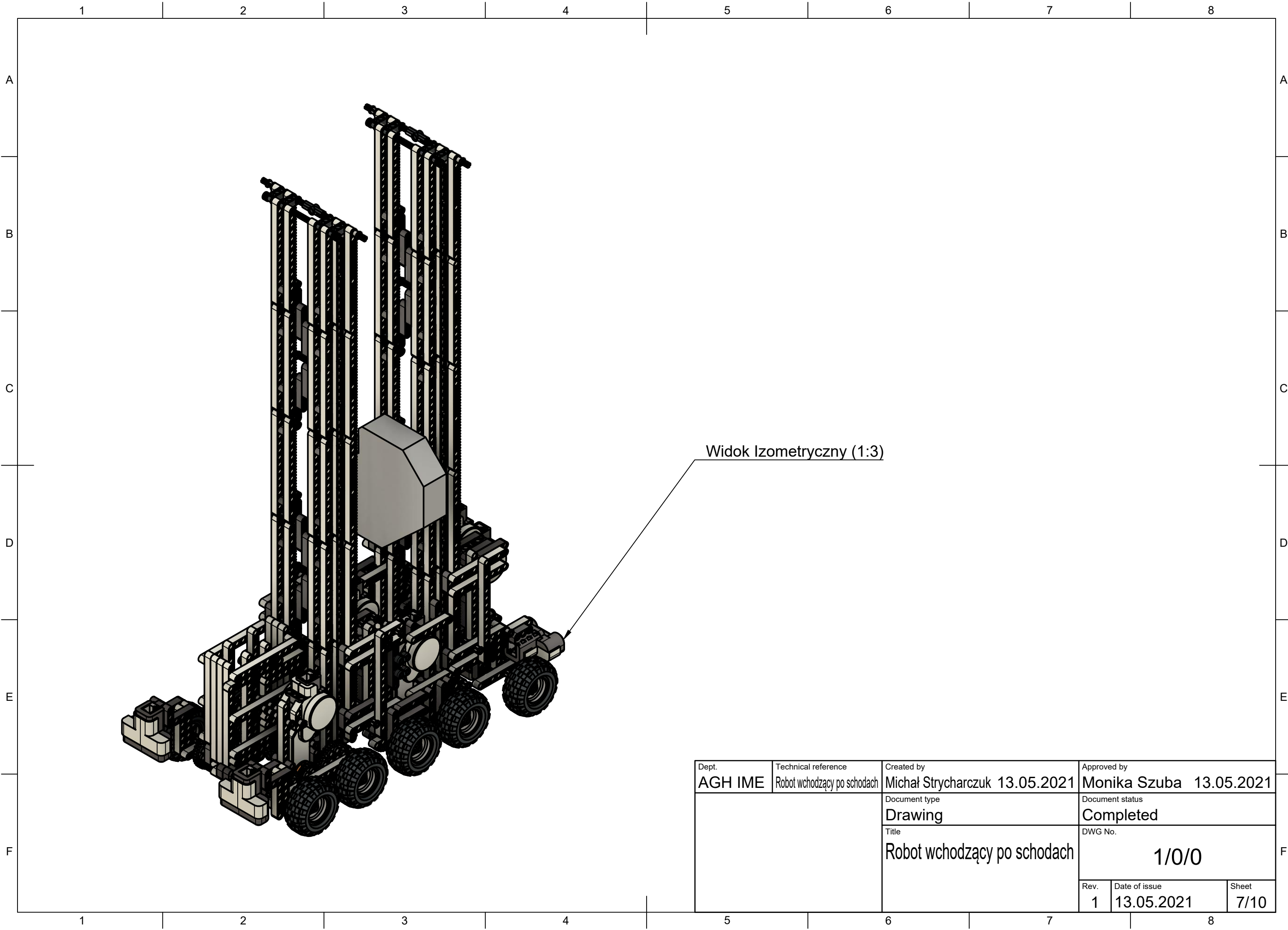
Widok Izometryczny (1:3)

Dept. AGH IME	Technical reference <i>Robot wchodzący po schodach</i>	Created by Michał Strycharczuk 13.05.2021	Approved by Monika Szuba 13.05.2021
		Document type Drawing	Document status Completed
		Title Robot wchodzący po schodach	DWG No. 1/0/0
	Rev. 1	Date of issue 13.05.2021	Sheet 5/10



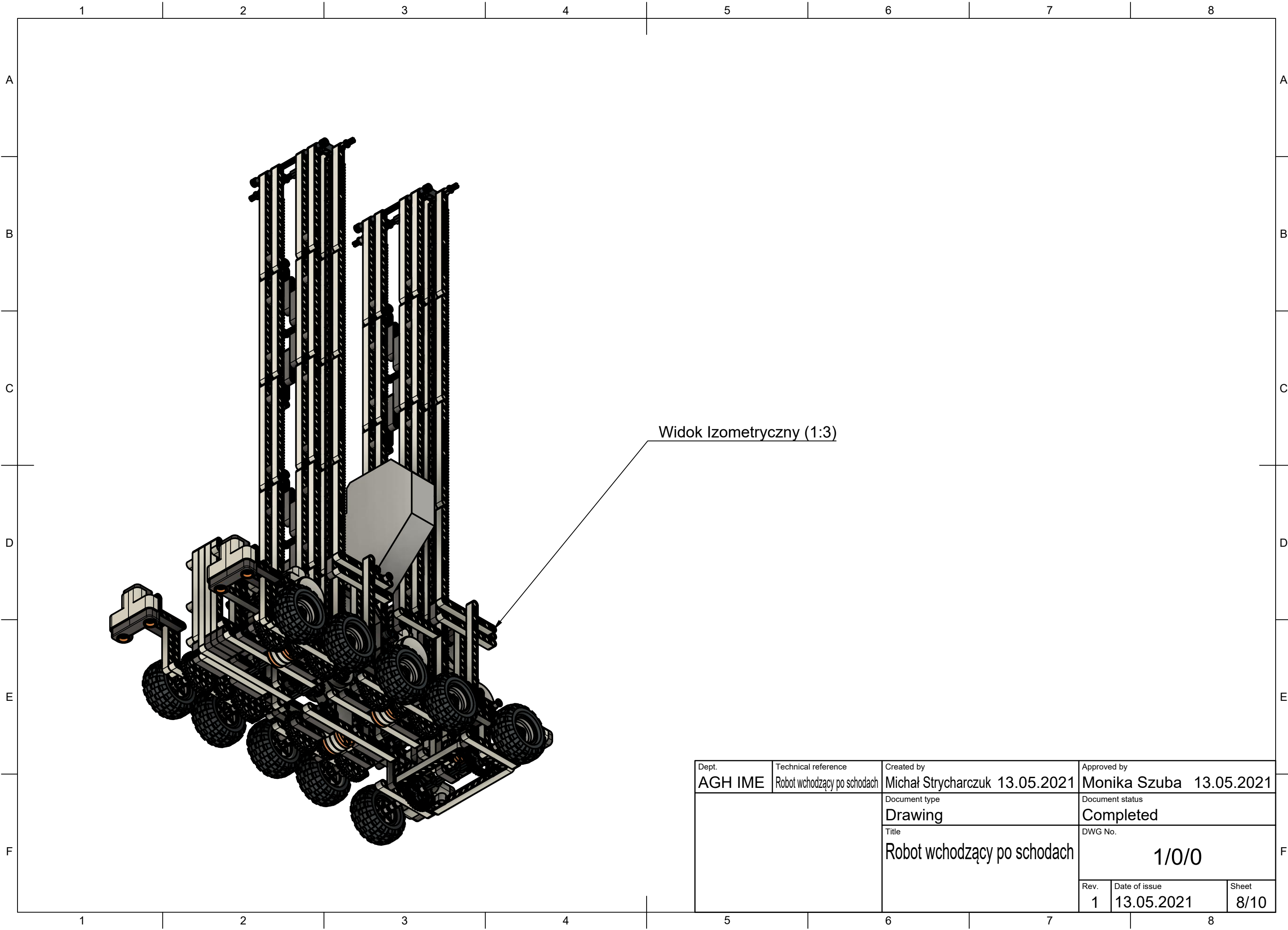
Widok Izometryczny (1:3)

Dept. AGH IME	Technical reference <i>Robot wchodzący po schodach</i>	Created by Michał Strycharczuk 13.05.2021	Approved by Monika Szuba 13.05.2021
		Document type Drawing	Document status Completed
		Title Robot wchodzący po schodach	DWG No. 1/0/0
Rev. 1	Date of issue 13.05.2021	Sheet 6/10	



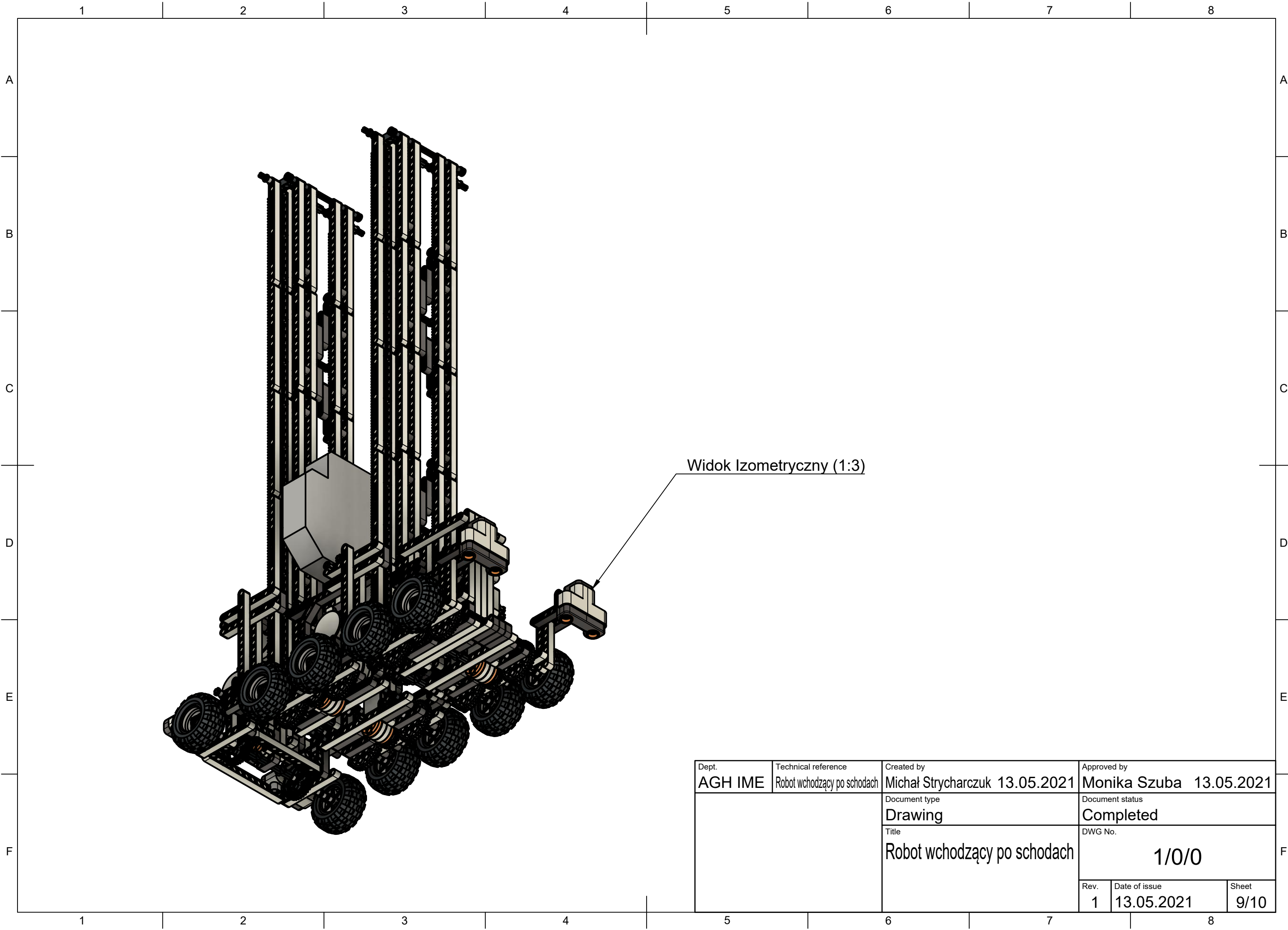
Widok Izometryczny (1:3)

Dept. AGH IME	Technical reference <i>Robot wchodzący po schodach</i>	Created by Michał Strycharczuk 13.05.2021	Approved by Monika Szuba 13.05.2021
		Document type Drawing	Document status Completed
		Title Robot wchodzący po schodach	DWG No. 1/0/0
Rev. 1	Date of issue 13.05.2021	Sheet 7/10	



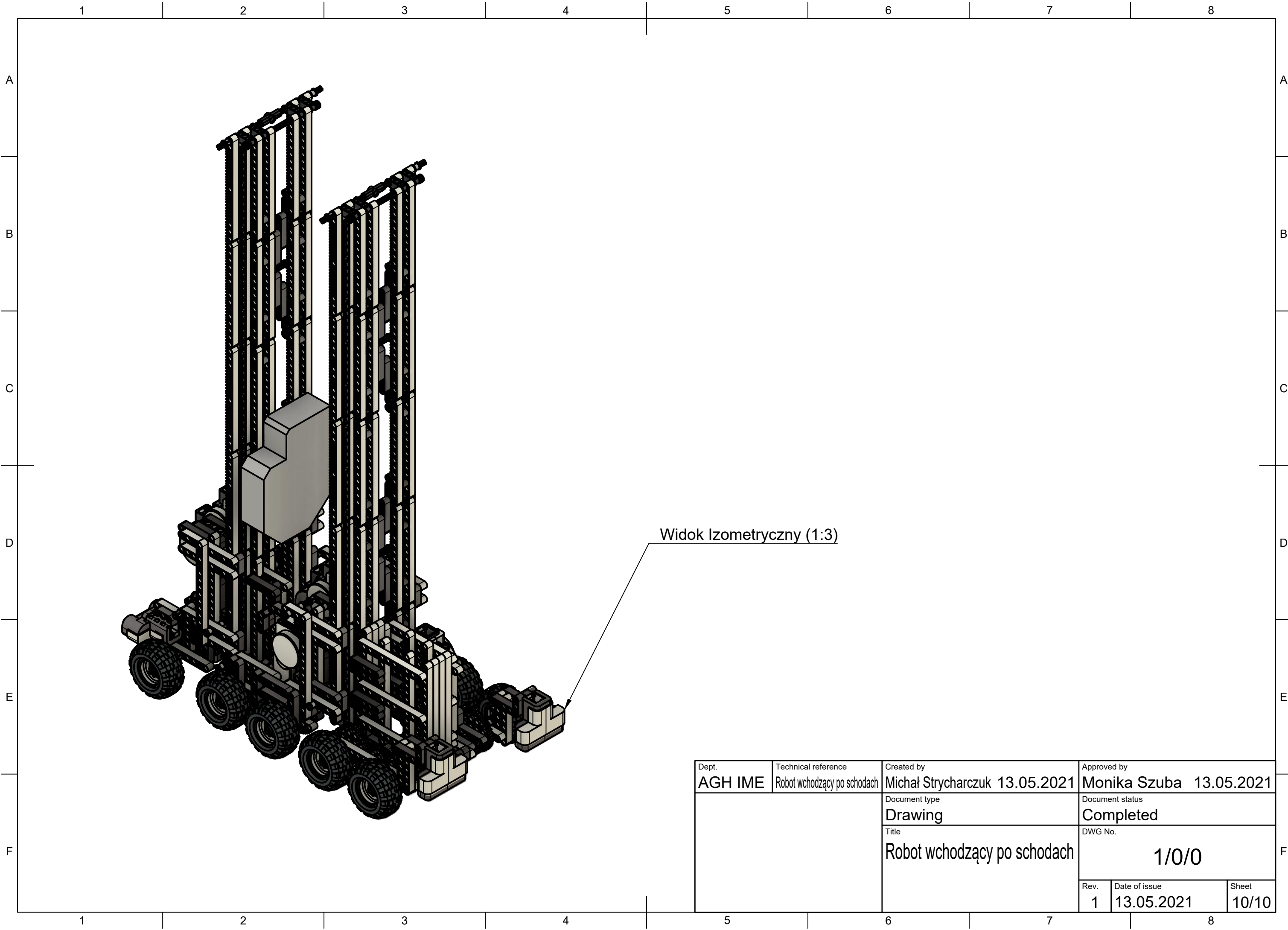
Widok Izometryczny (1:3)

Dept. AGH IME	Technical reference <i>Robot wchodzący po schodach</i>	Created by Michał Strycharczuk 13.05.2021	Approved by Monika Szuba 13.05.2021
		Document type Drawing	Document status Completed
		Title Robot wchodzący po schodach	DWG No. 1/0/0
	Rev. 1	Date of issue 13.05.2021	Sheet 8/10



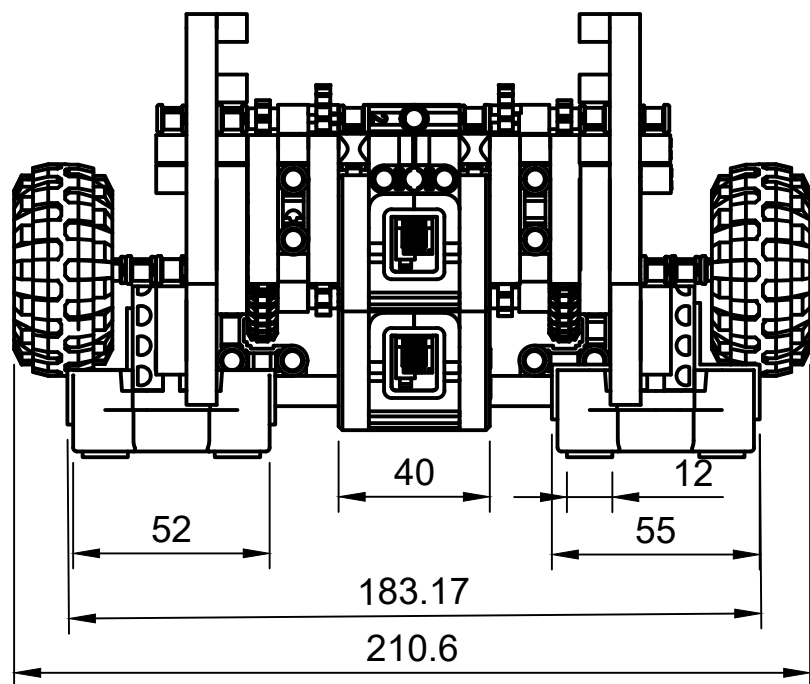
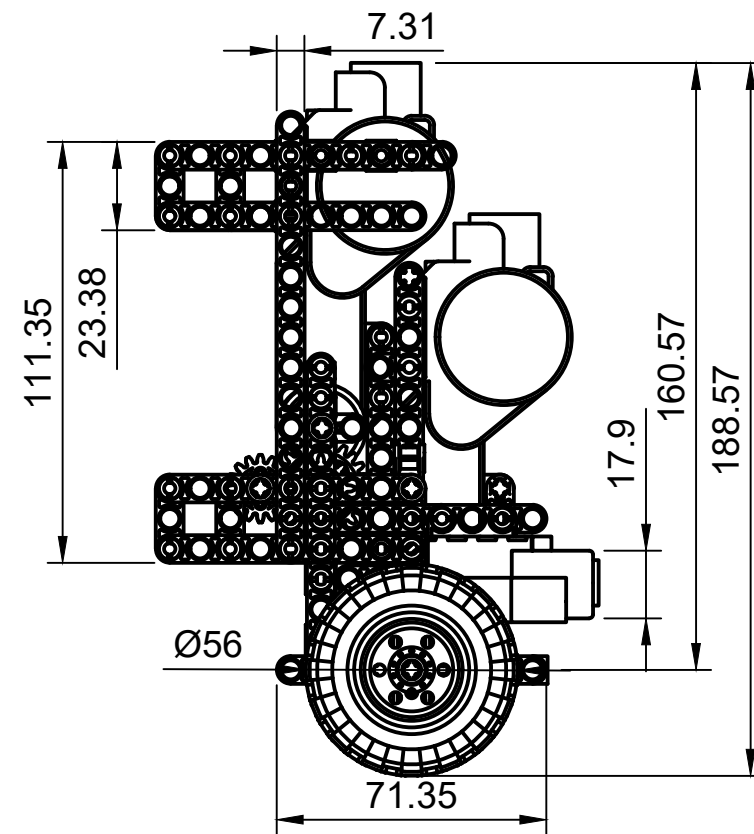
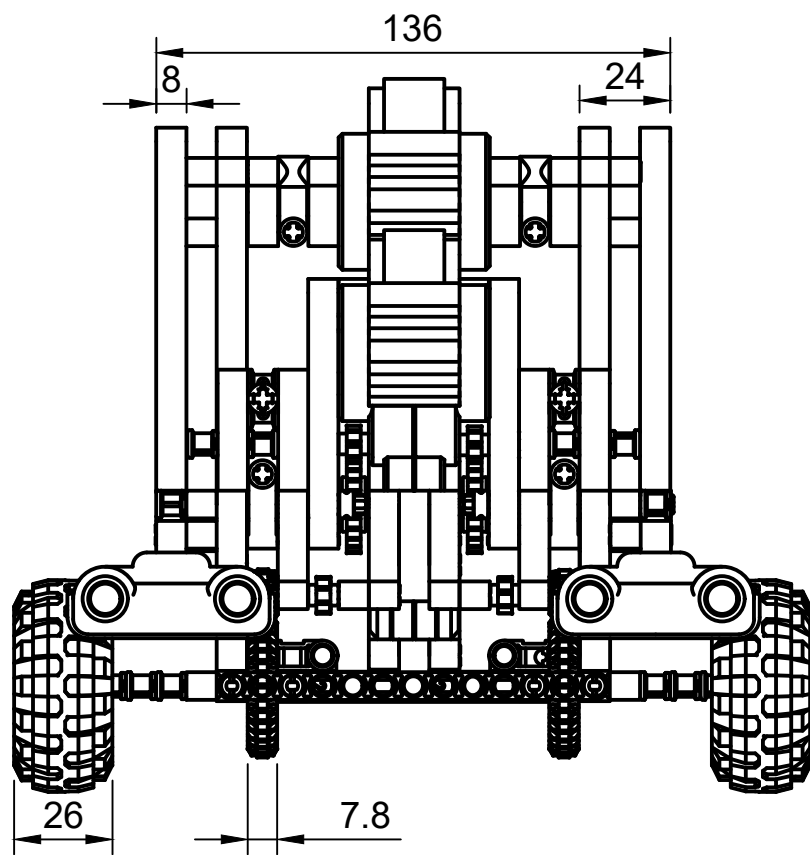
Widok Izometryczny (1:3)

Dept. AGH IME	Technical reference <i>Robot wchodzący po schodach</i>	Created by Michał Strycharczuk 13.05.2021	Approved by Monika Szuba 13.05.2021
		Document type Drawing	Document status Completed
		Title Robot wchodzący po schodach	DWG No. 1/0/0
Rev. 1	Date of issue 13.05.2021	Sheet 9/10	



Widok Izometryczny (1:3)

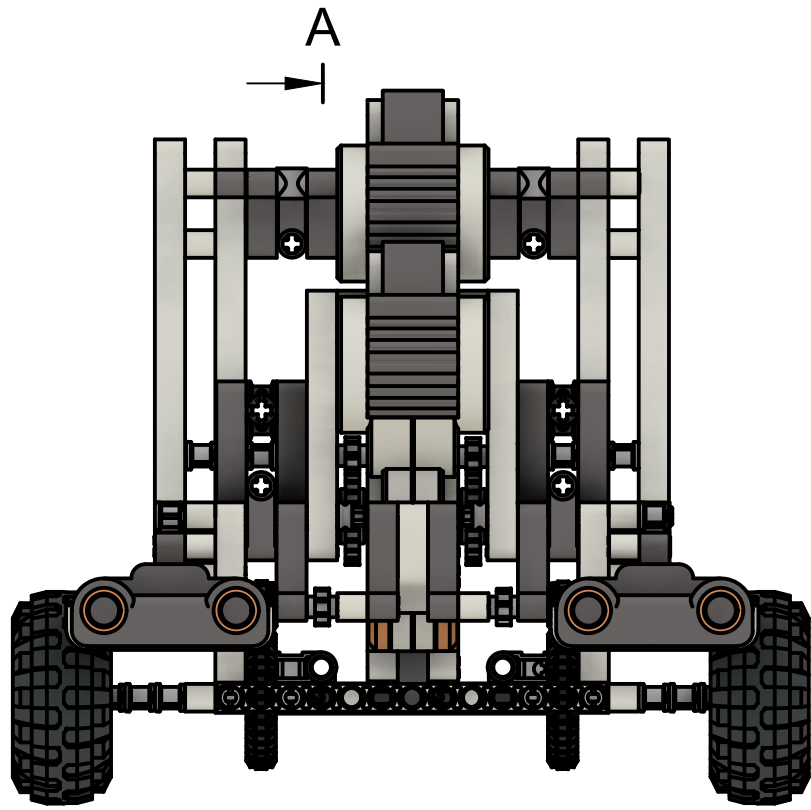
Dept. AGH IME	Technical reference <i>Robot wchodzący po schodach</i>	Created by Michał Strycharczuk 13.05.2021	Approved by Monika Szuba 13.05.2021
		Document type Drawing	Document status Completed
		Title Robot wchodzący po schodach	DWG No. 1/0/0
	Rev. 1	Date of issue 13.05.2021	Sheet 10/10



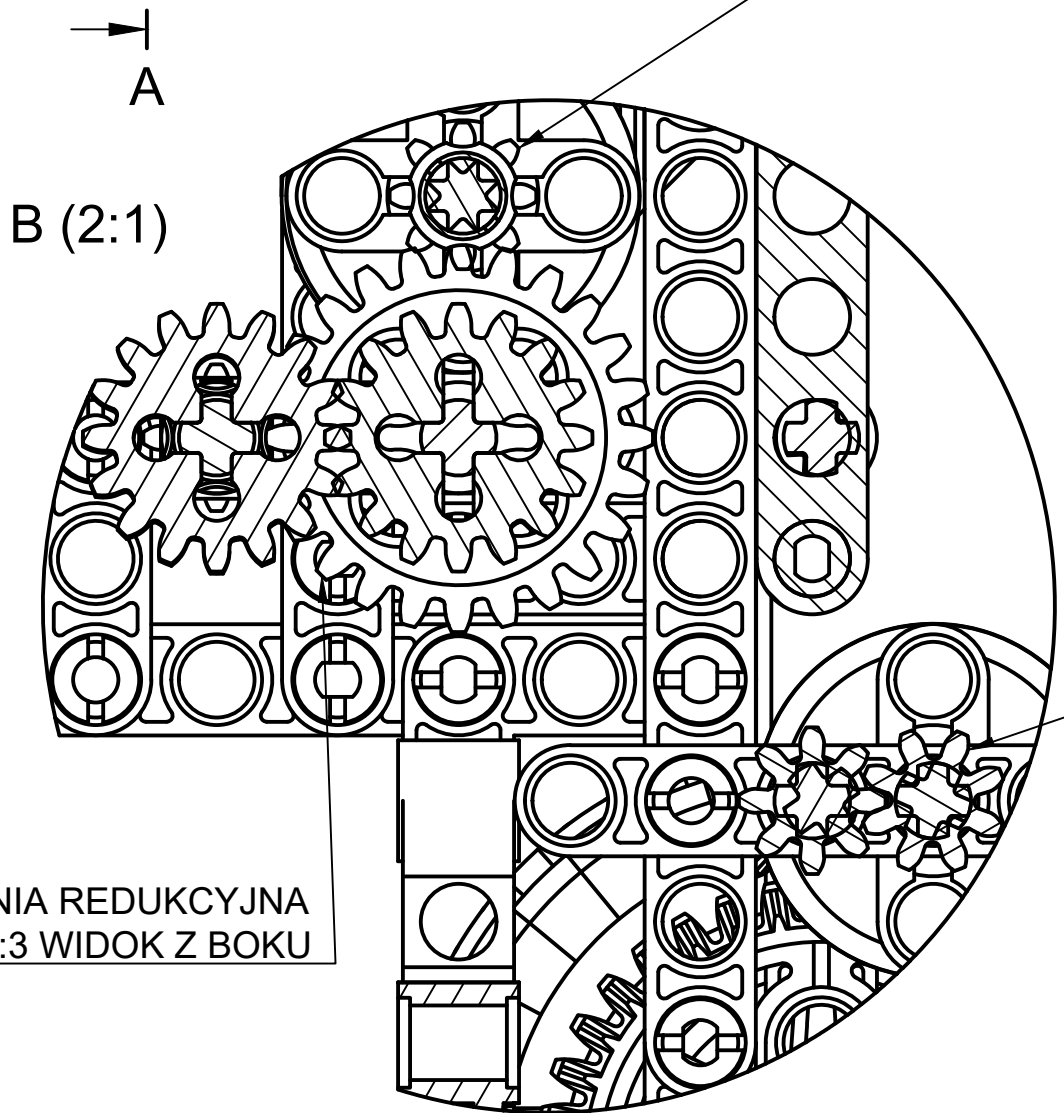
Dept.	Technical reference	Created by Zuzanna Goluchowska 13.05.2021	Approved by
		Document type	Document status
		Title Front Section	DWG No.
		Rev.	Date of issue
		Sheet 1/5	

1 2 3 4 5 6 7 8

A
B
C
D
E
F

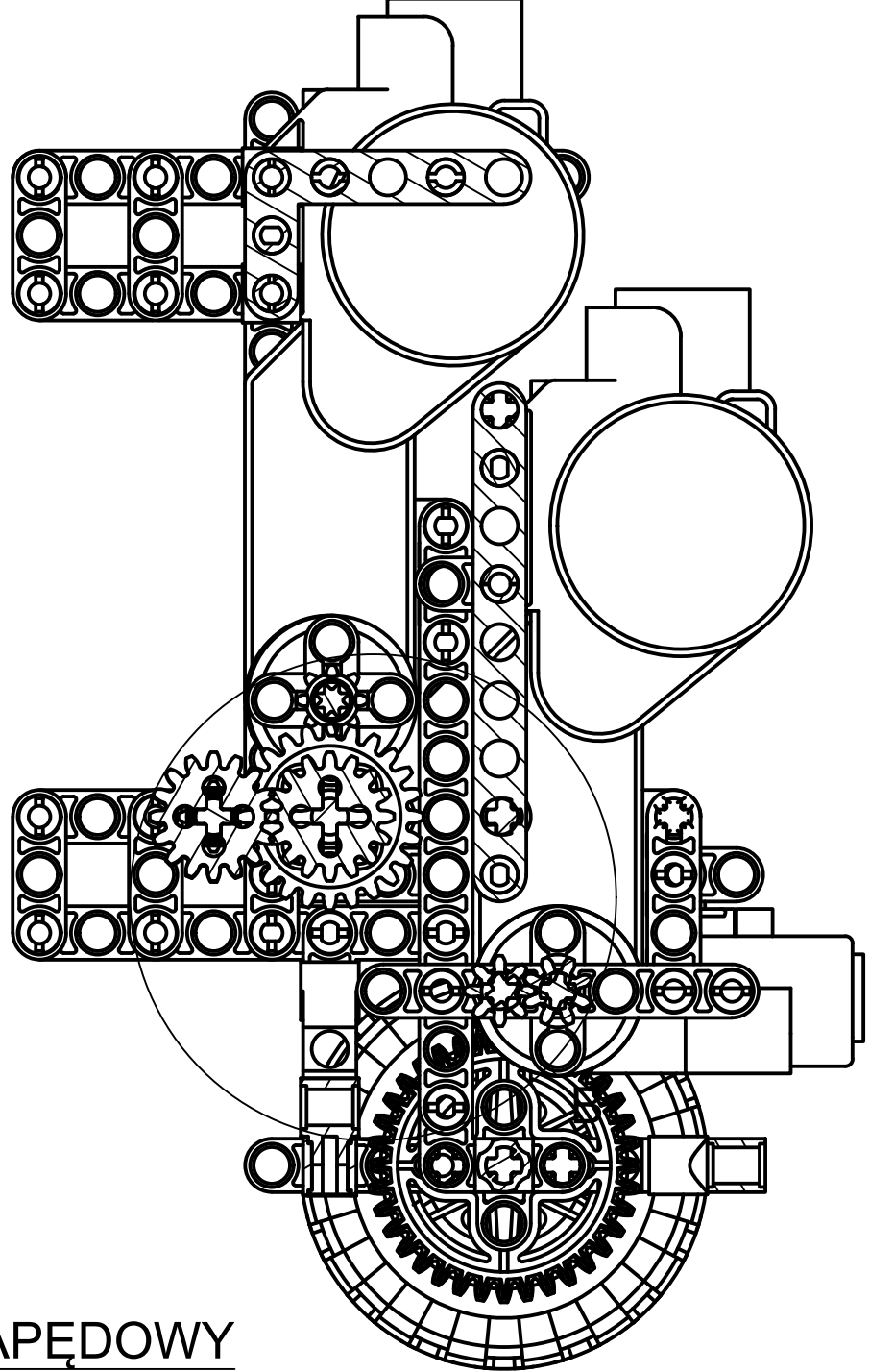


WAŁ NAPĘDOWY



WAŁ NAPĘDOWY

A-A (1:1)



PRZEKŁADNIA REDUKCYJNA
1:3 WIDOK Z BOKU

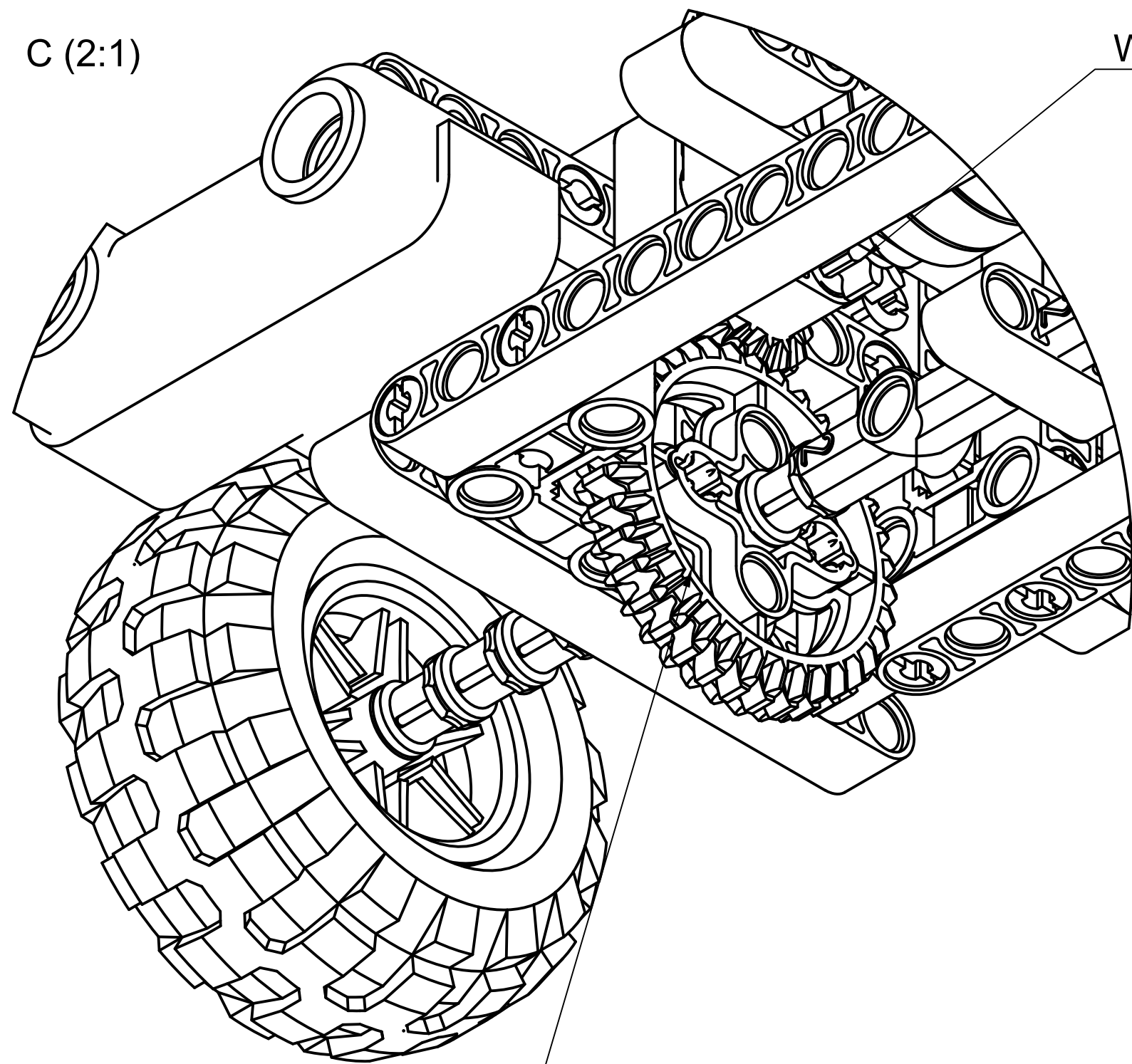
Dept.	Technical reference	Created by Zuzanna Goluchowska 13.05.2021	Approved by
		Document type	Document status
		Title Front Section	DWG No.
Rev.	Date of issue	Sheet 2/5	

1 2 3 4 5 6 7 8

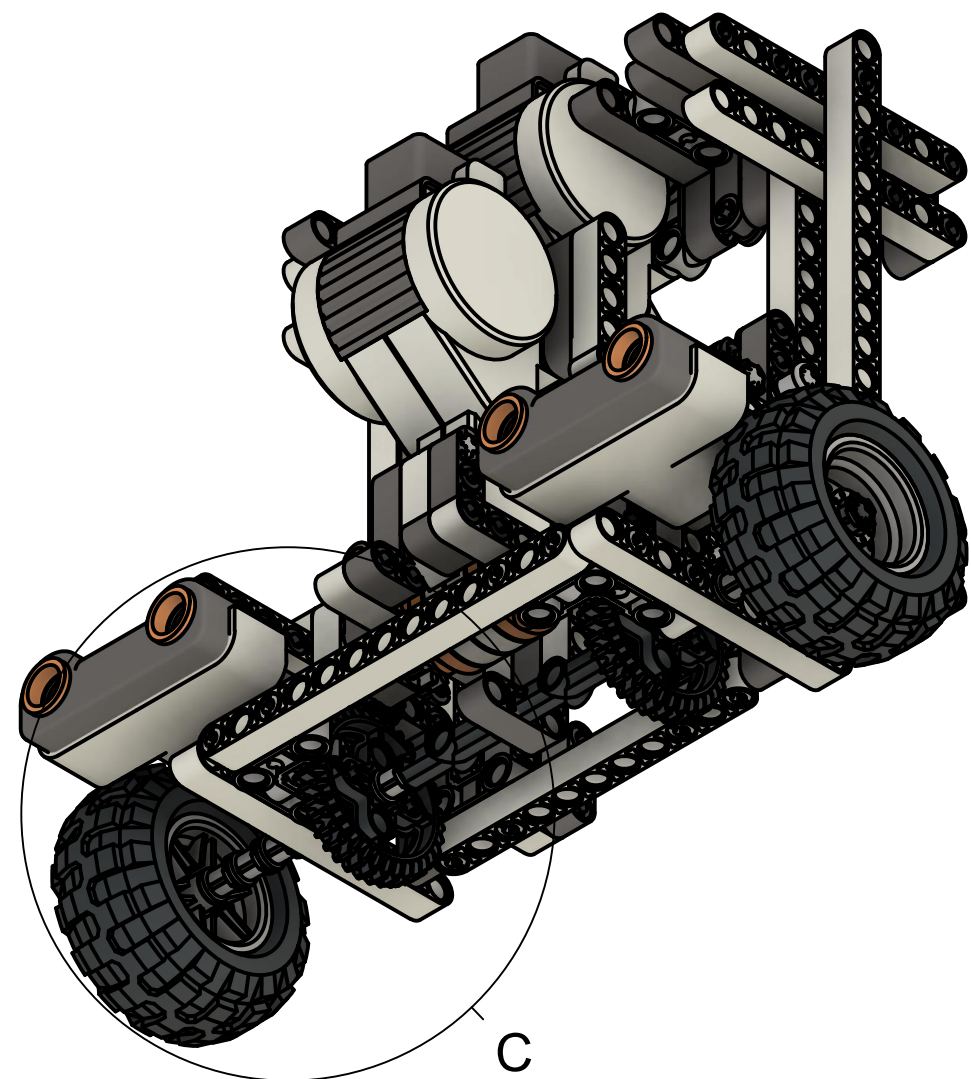
1 2 3 4 5 6 7 8

A
B
C
D
E
F

C (2:1)



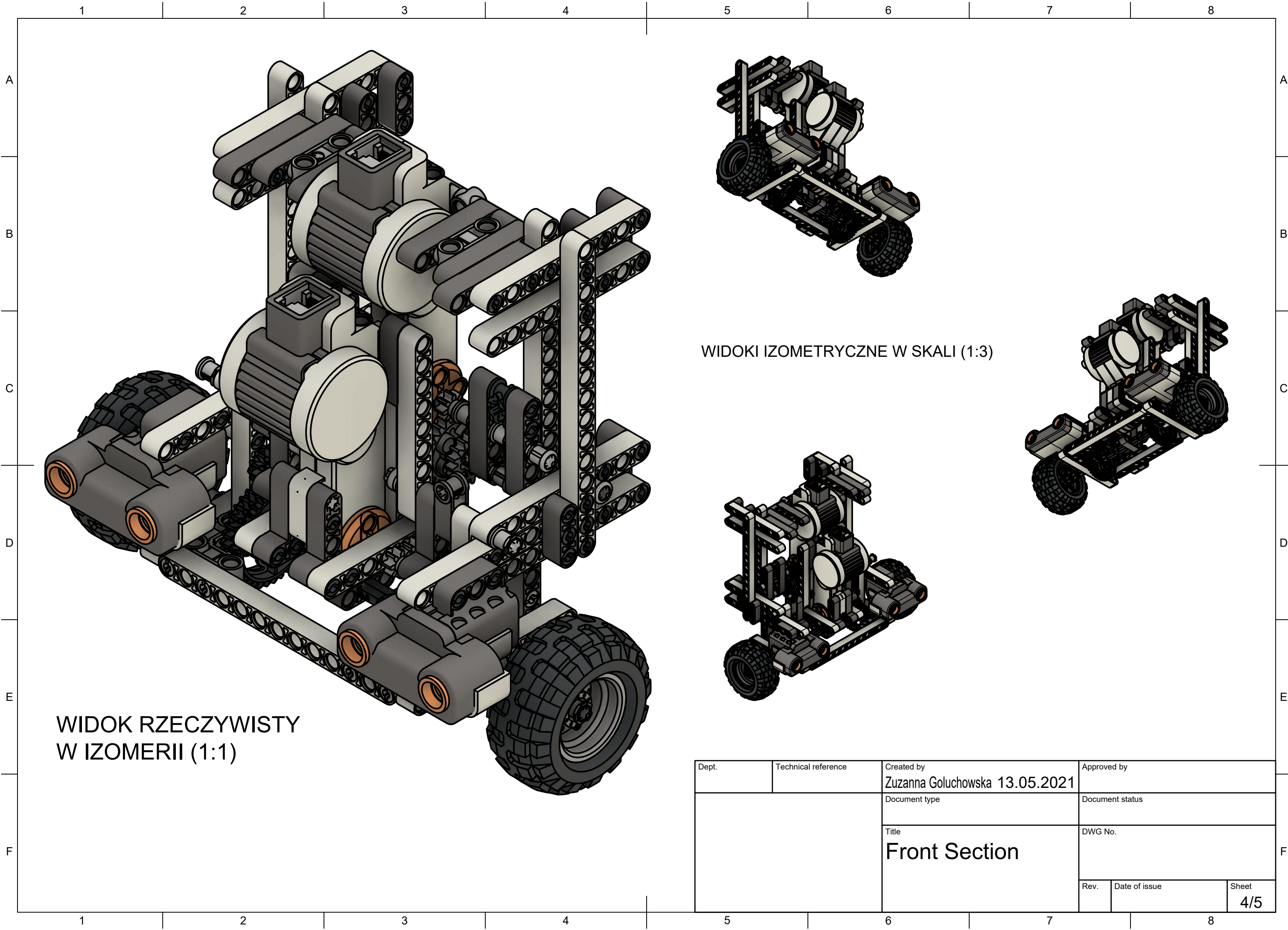
WAŁ NAPĘDOWY



PRZEKŁADNIA REDUKCYJNA 1:3
WIDOK W IZOMERII

Dept.	Technical reference	Created by Zuzanna Goluchowska 13.05.2021	Approved by
		Document type	Document status
		Title Front Section	DWG No.
	Rev.	Date of issue	Sheet 3/5

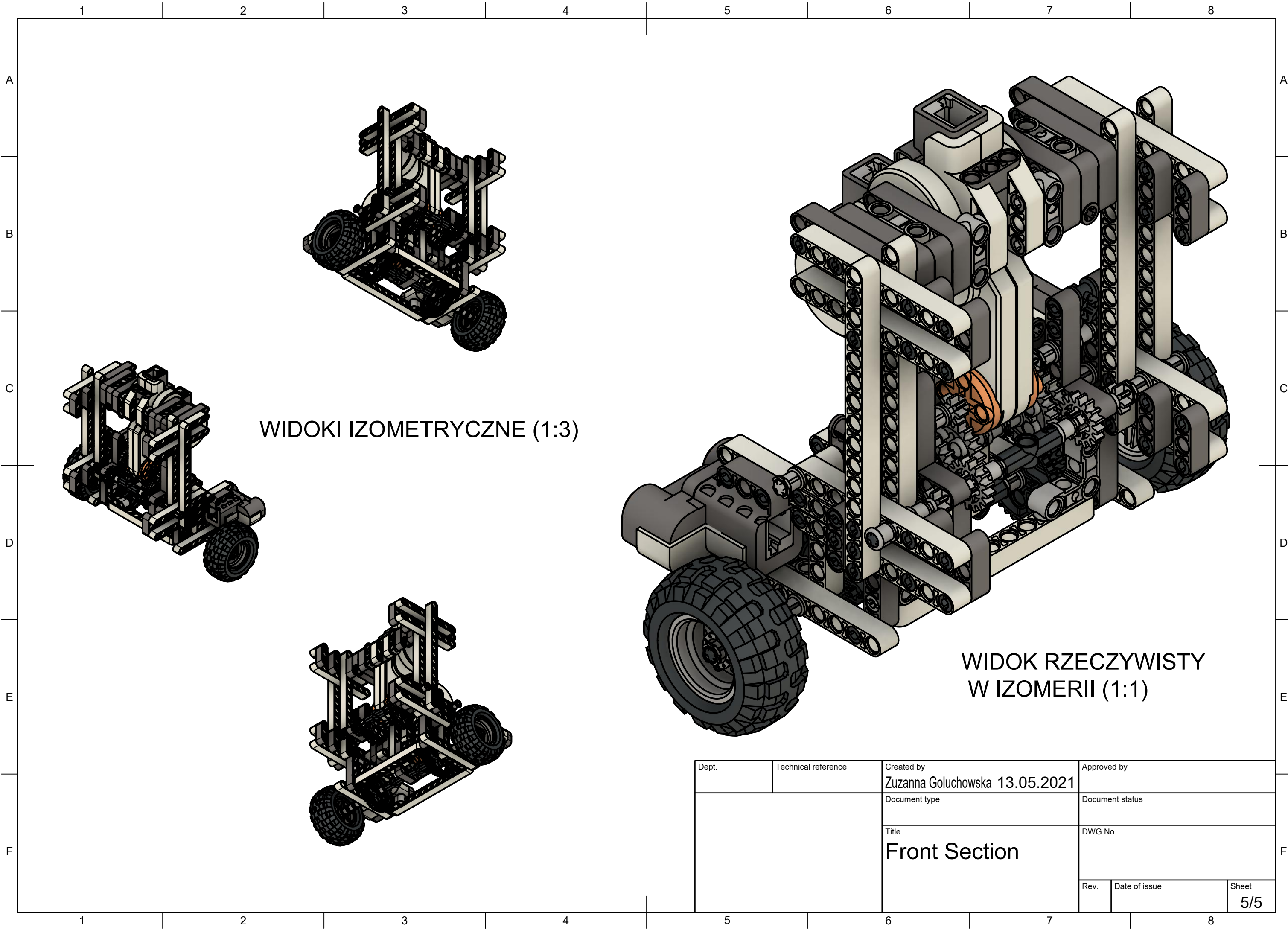
1 2 3 4 5 6 7 8



WIDOK RZECZYWISTY
W IZOMERII (1:1)

WIDOKI IZOMETRYCZNE W SKALI (1:3)

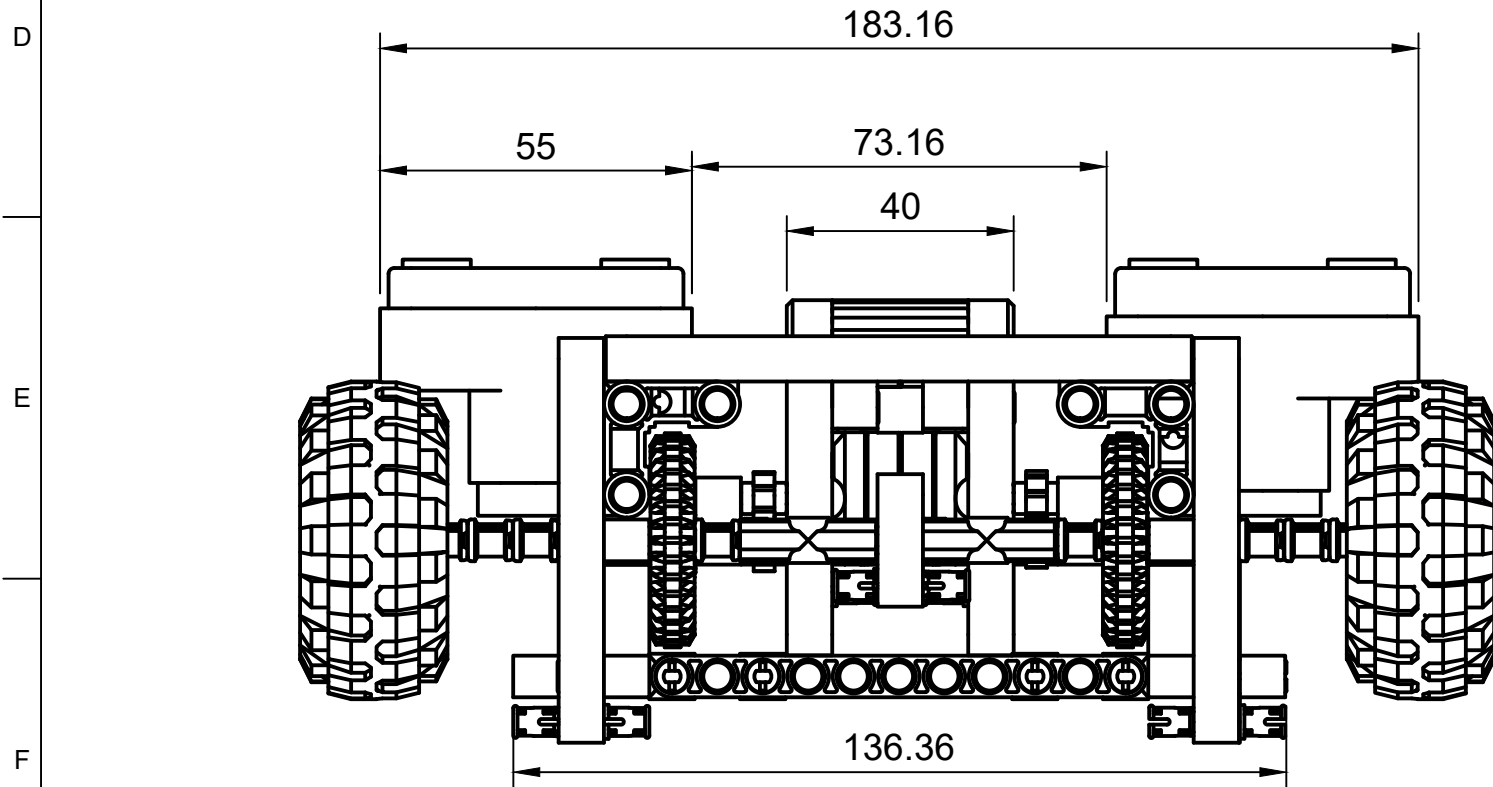
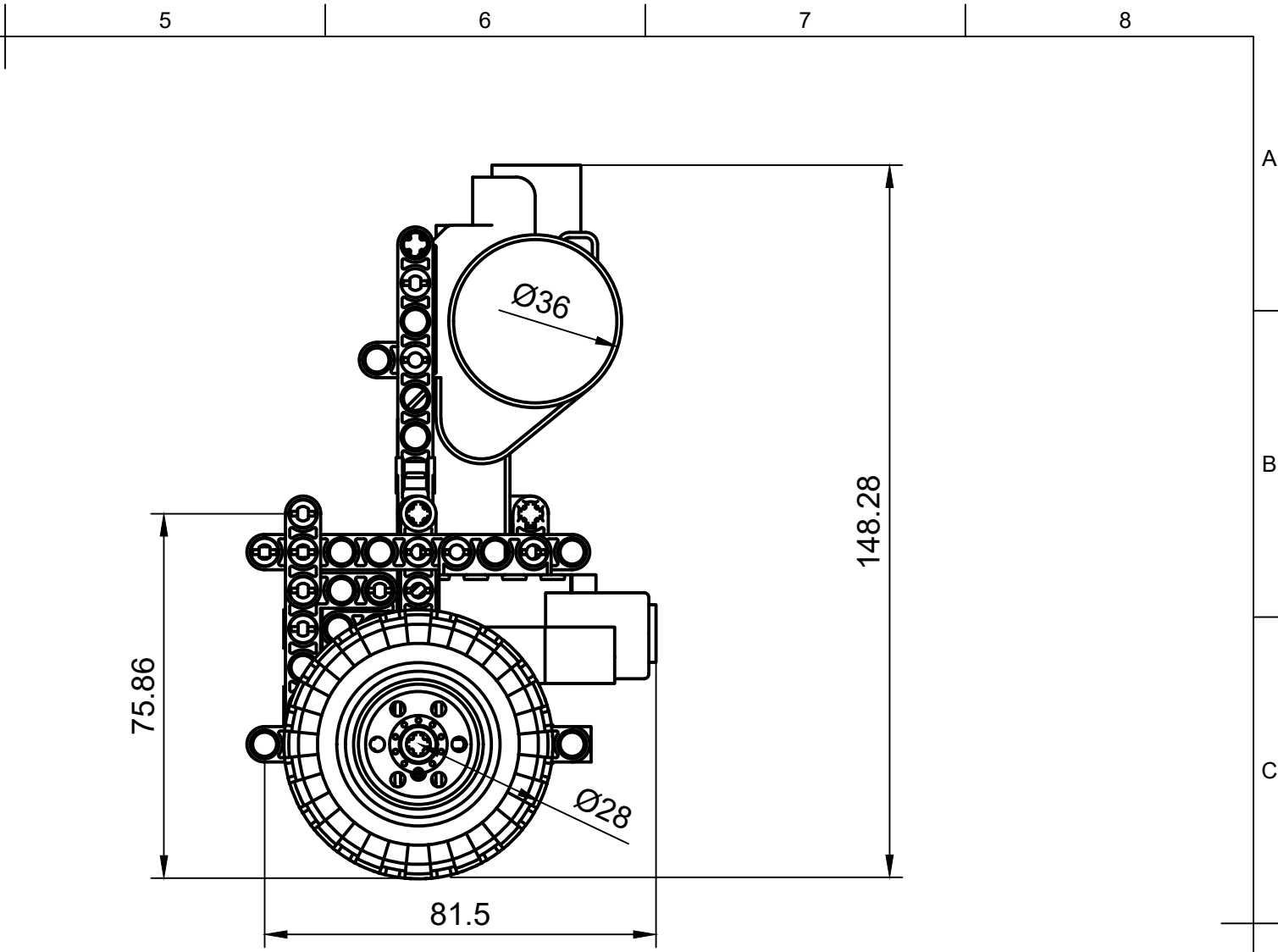
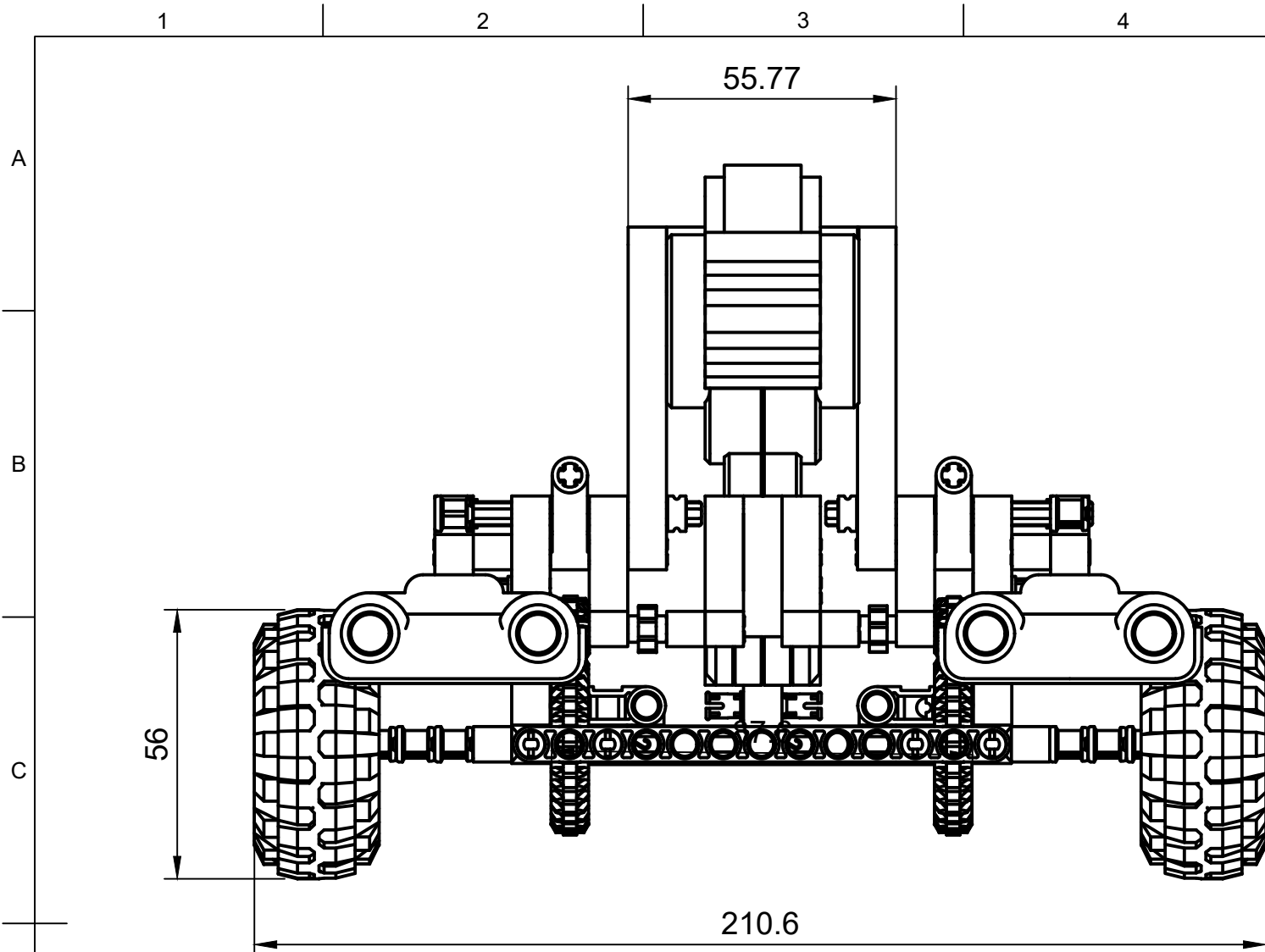
Dept.	Technical reference	Created by Zuzanna Goluchowska 13.05.2021	Approved by	
		Document type	Document status	
		Title Front Section	DWG No.	
		Rev.	Date of issue	Sheet 4/5



WIDOKI IZOMETRYCZNE (1:3)

WIDOK RZECZYWISTY
W IZOMERII (1:1)

Dept.	Technical reference	Created by Zuzanna Goluchowska 13.05.2021	Approved by
		Document type	Document status
		Title Front Section	DWG No.
Rev.	Date of issue	Sheet 5/5	



Dept.	Technical reference	Created by Monika Szuba 04.05.2021	Approved by
		Document type	Document status
		Title Front Core	DWG No.
Rev.	Date of issue	Sheet 1/6	

1 2 3 4 5 6 7 8

A

A

B

B

C

C

D

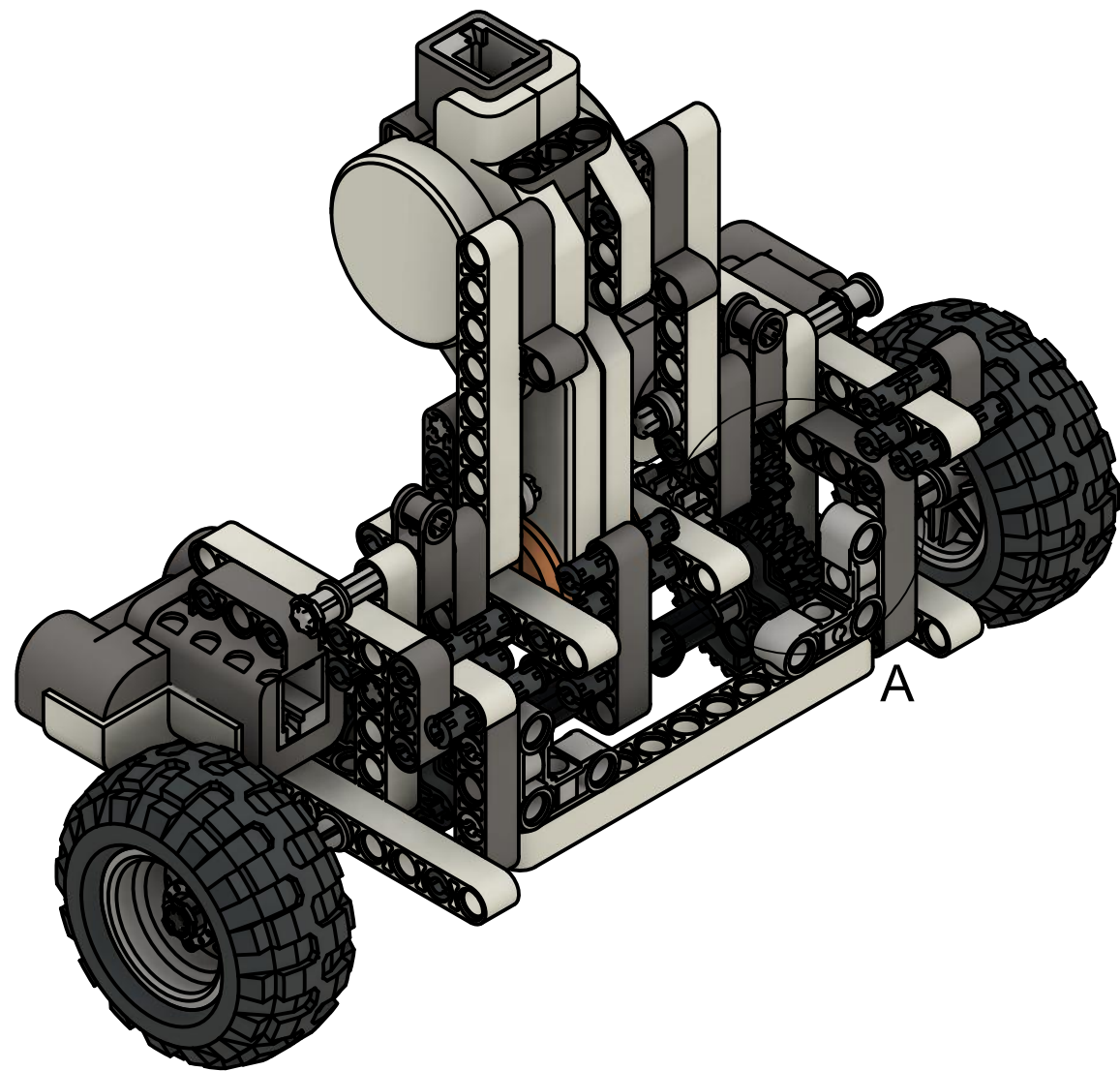
D

E

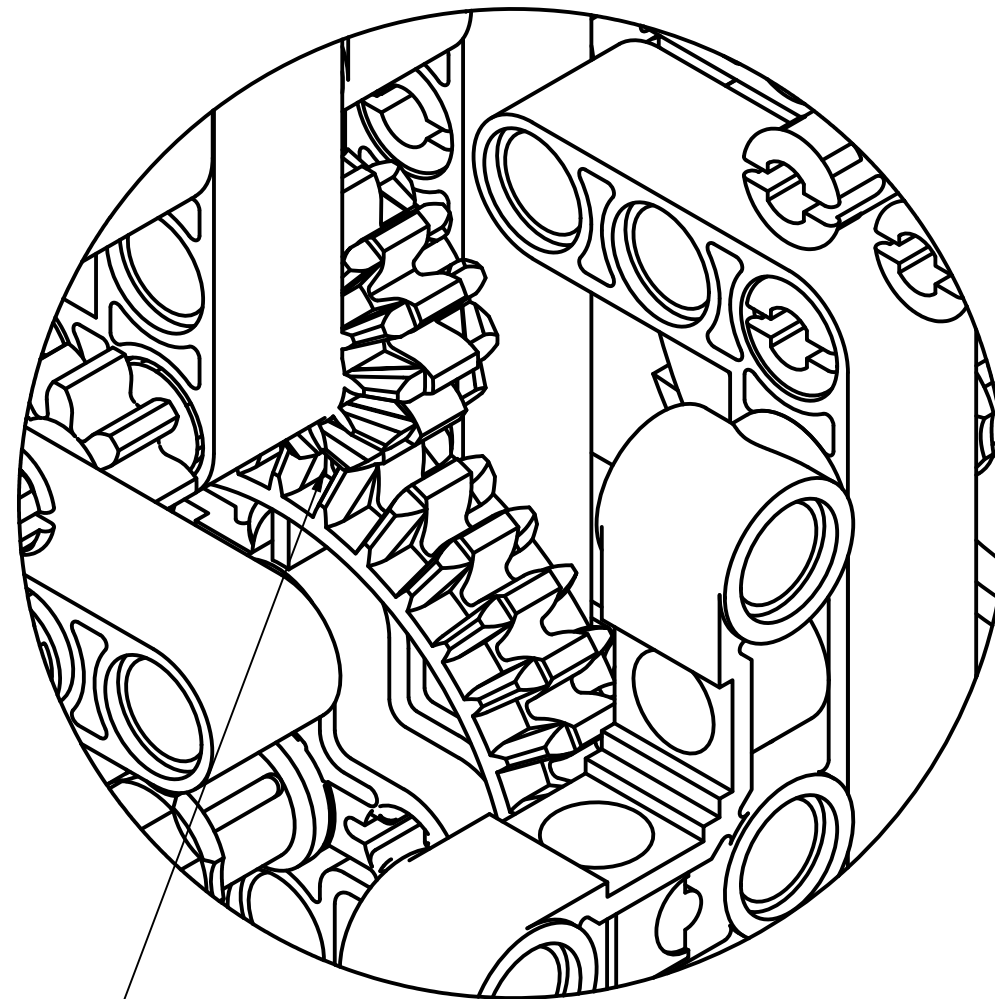
E

F

F



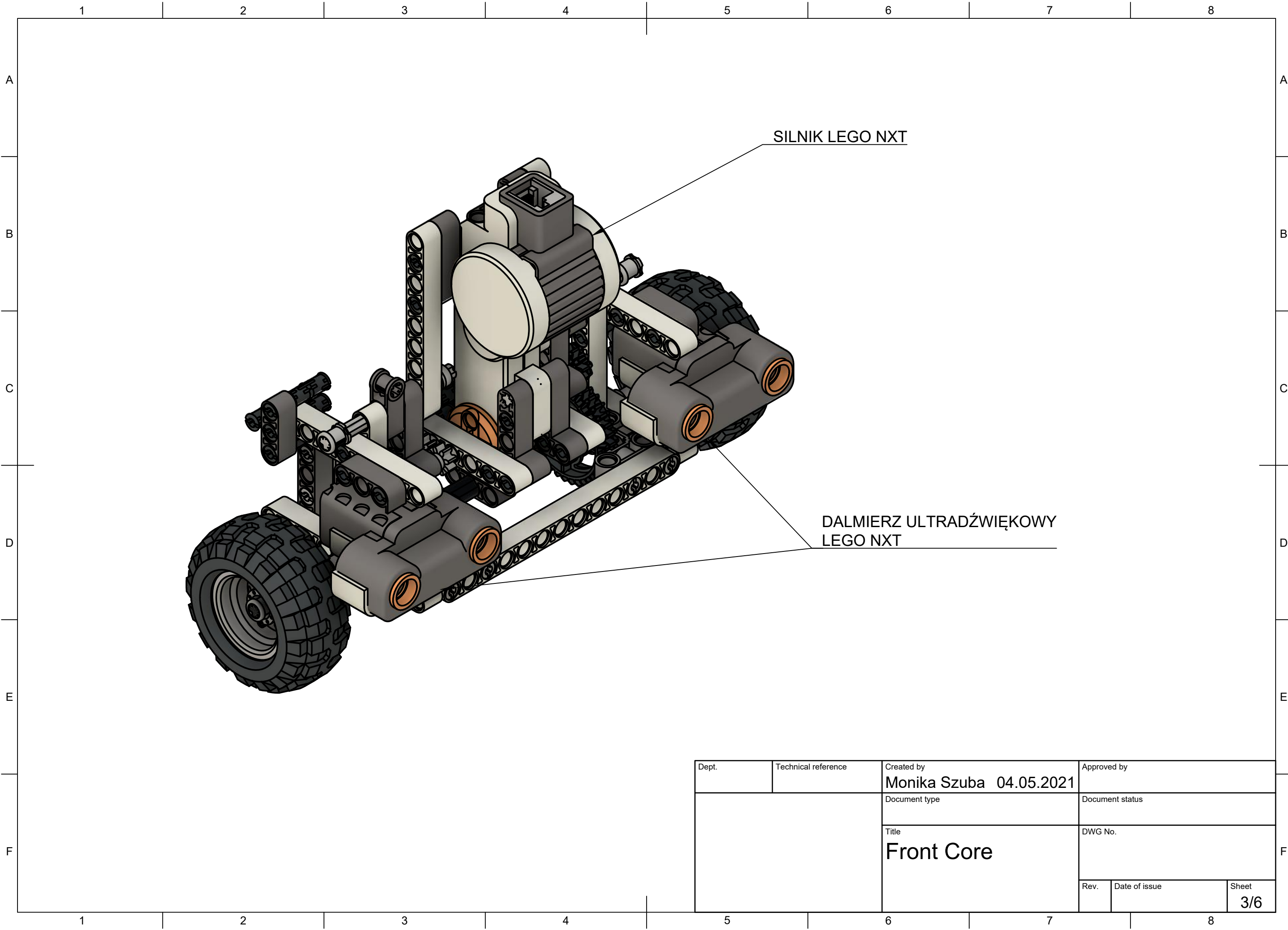
A (3:1)



KOŁA ZĘBATE
PRZEKŁADNI REDUKCYJNEJ 1:3

Dept.	Technical reference	Created by Monika Szuba 04.05.2021	Approved by	
		Document type	Document status	
		Title Front Core	DWG No.	
		Rev.	Date of issue	Sheet 2/6

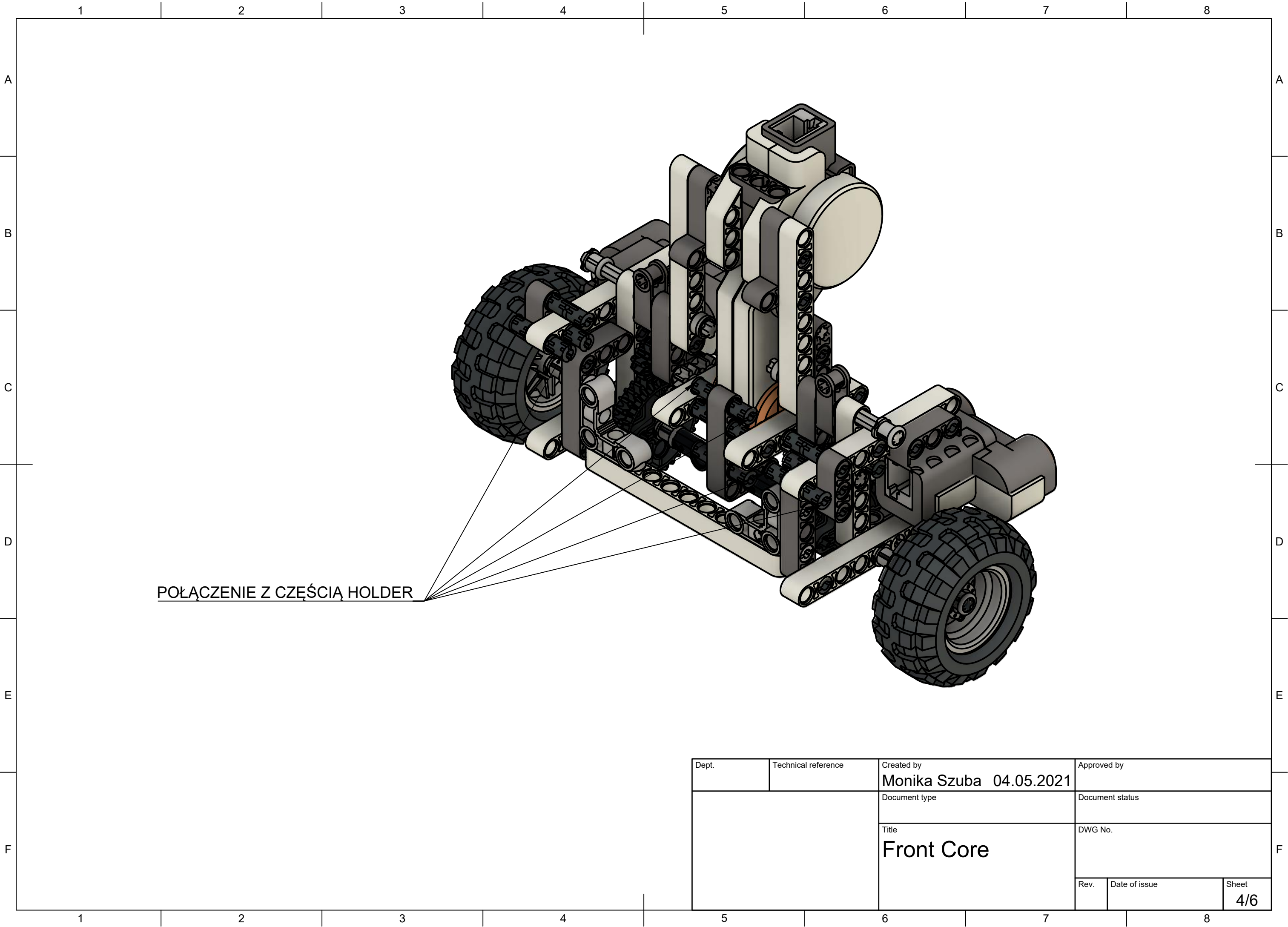
1 2 3 4 5 6 7 8



SILNIK LEGO NXT

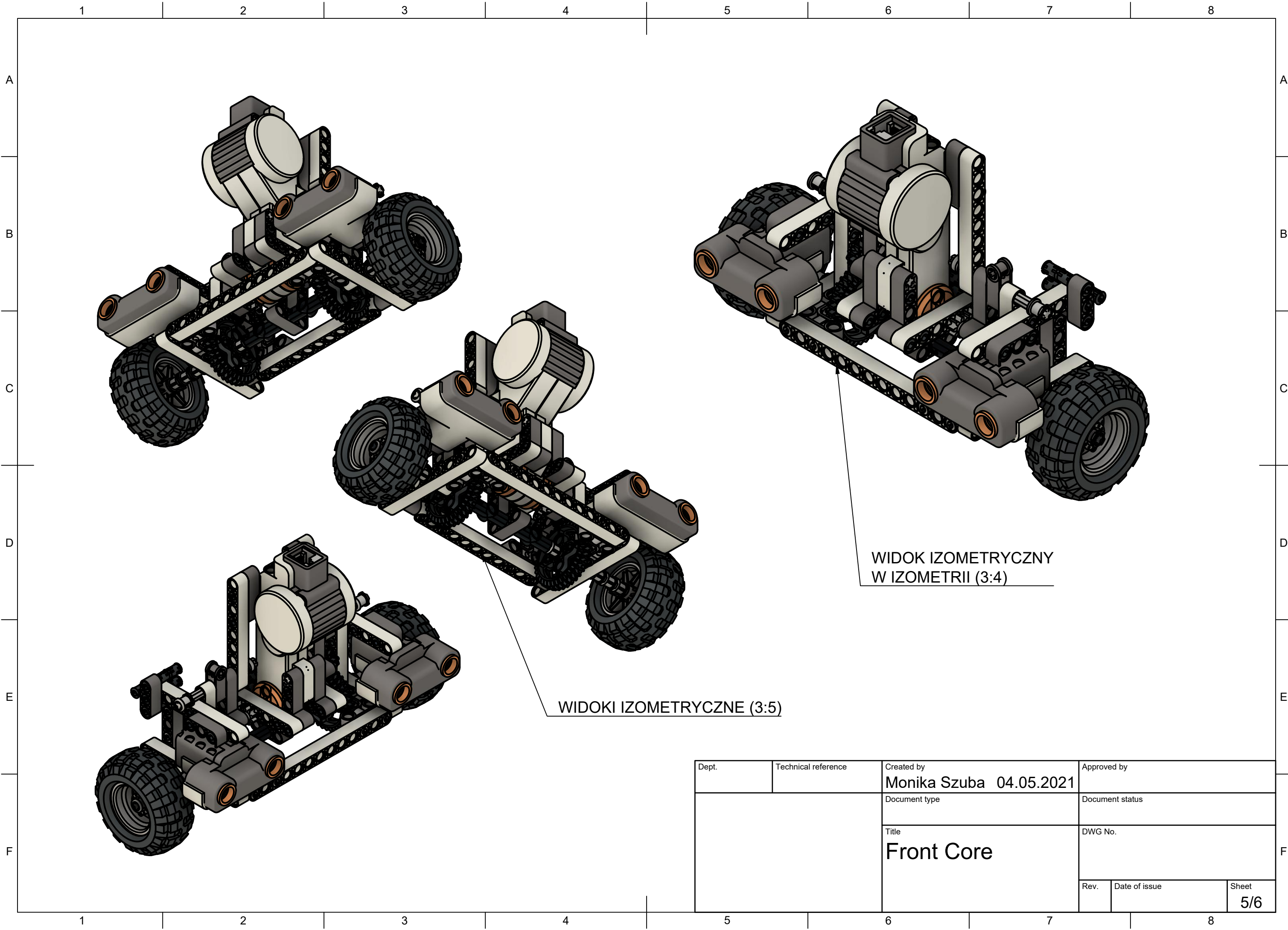
DALMIERZ ULTRADŹWIĘKOWY
LEGO NXT

Dept.	Technical reference	Created by Monika Szuba 04.05.2021	Approved by	
		Document type	Document status	
		Title Front Core	DWG No.	
	Rev.	Date of issue	Sheet	3/6



POŁĄCZENIE Z CZĘŚCIĄ HOLDER

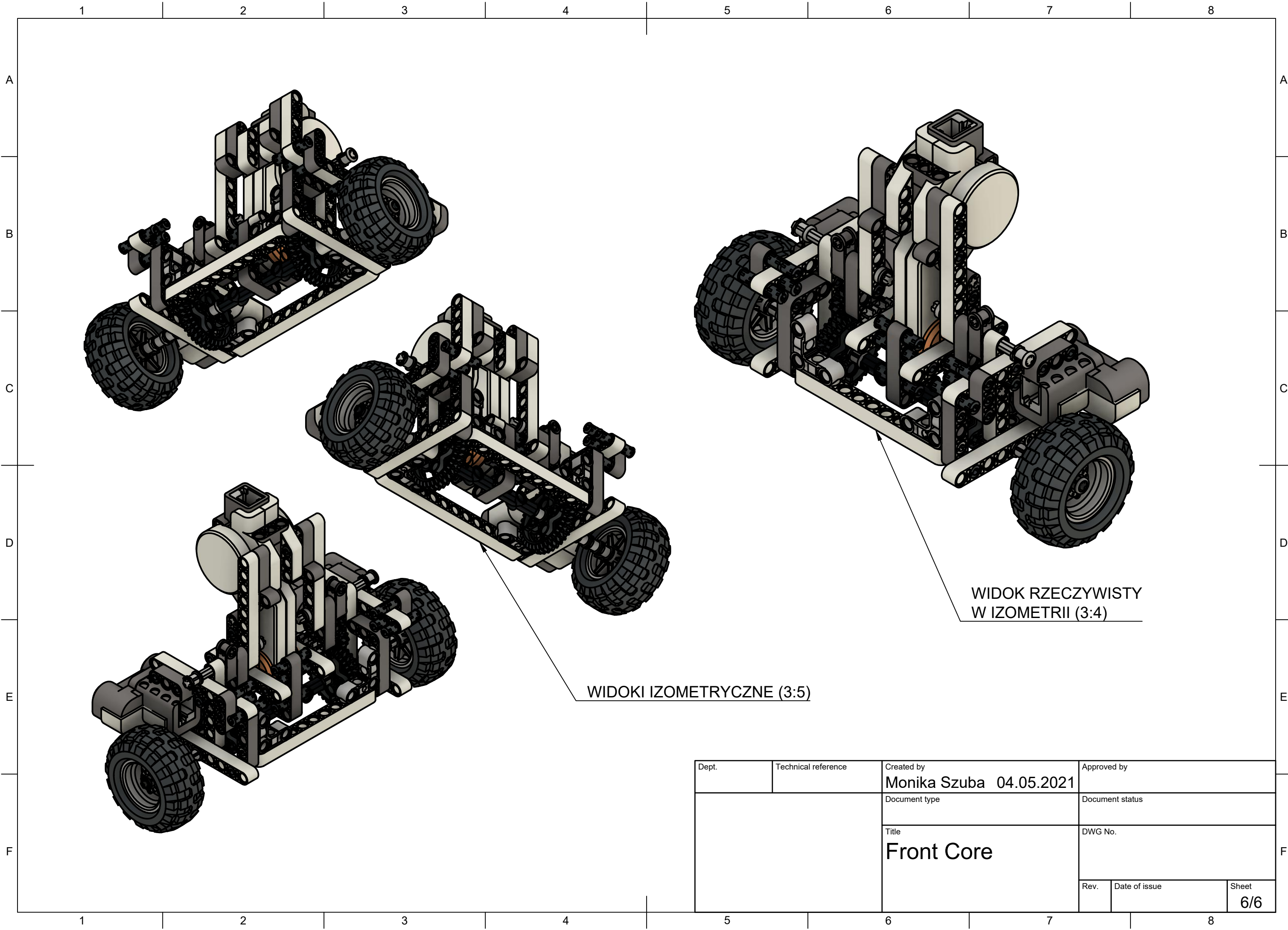
Dept.	Technical reference	Created by Monika Szuba 04.05.2021	Approved by	
		Document type	Document status	
		Title Front Core	DWG No.	
	Rev.	Date of issue	Sheet	4/6



WIDOK IZOMETRYCZNY
W IZOMETRII (3:4)

WIDOKI IZOMETRYCZNE (3:5)

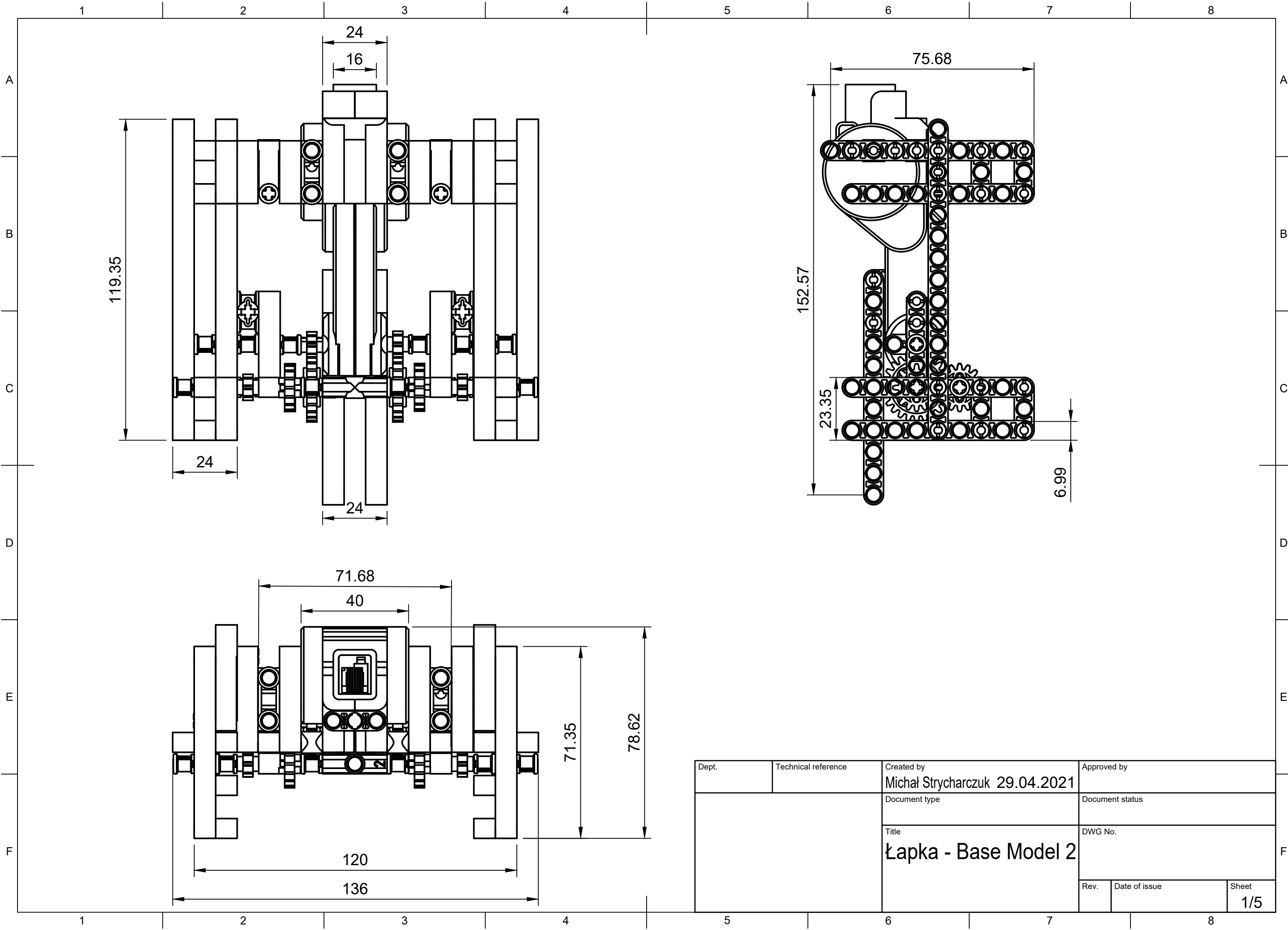
Dept.	Technical reference	Created by Monika Szuba 04.05.2021	Approved by
		Document type	Document status
		Title Front Core	DWG No.
Rev.	Date of issue	Sheet 5/6	



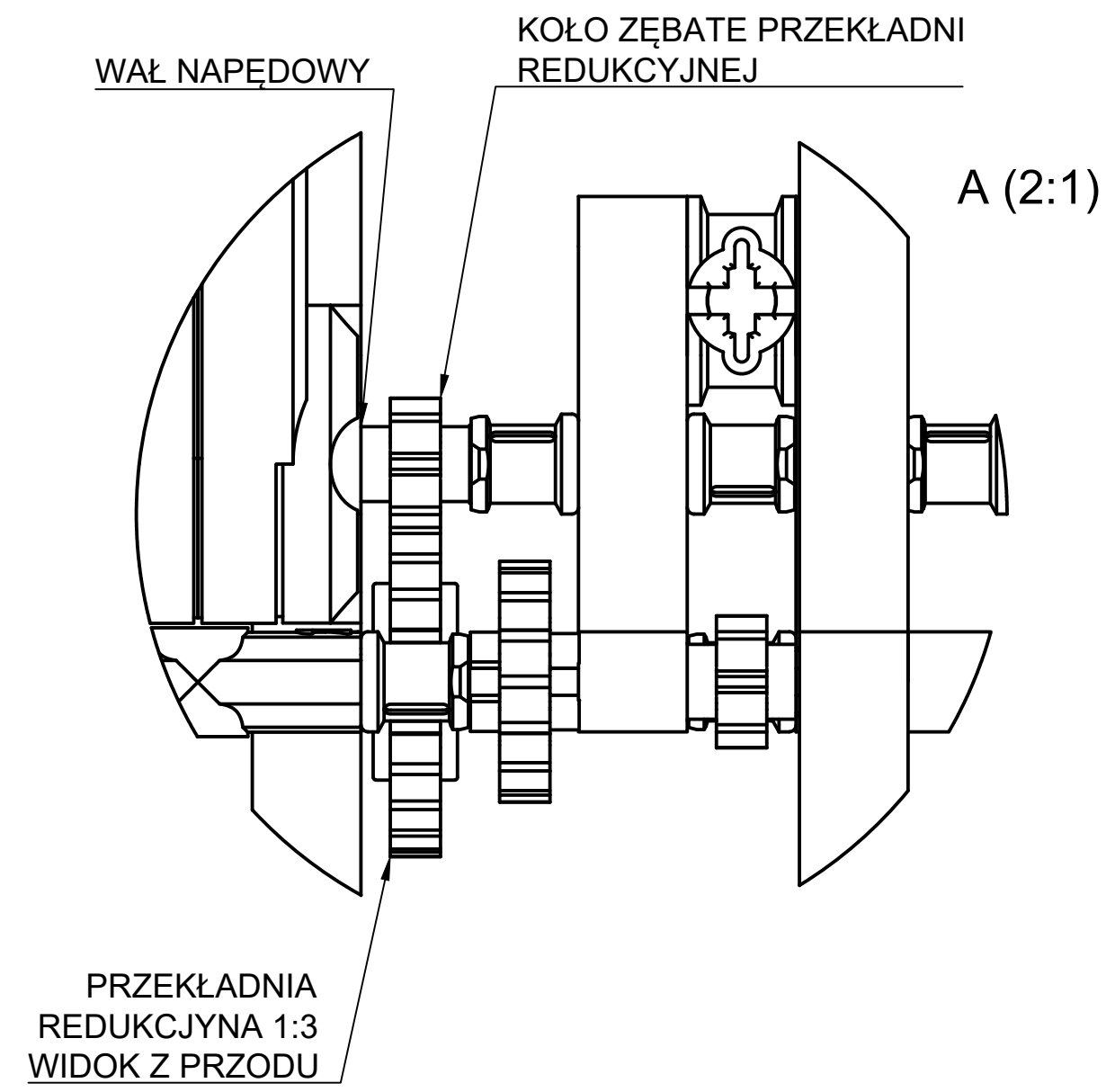
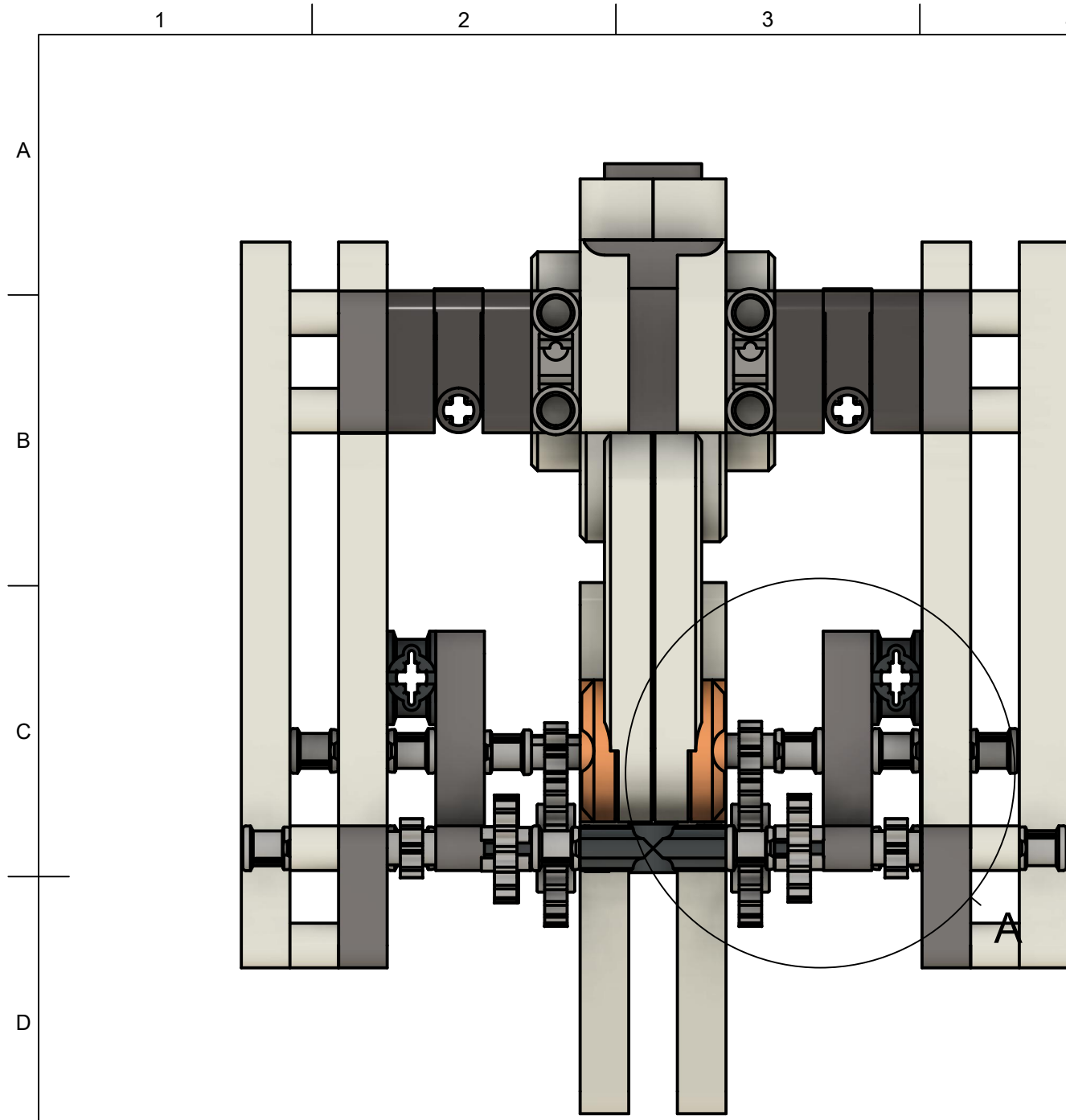
WIDOKI IZOMETRYCZNE (3:5)

WIDOK RZECZYWISTY
W IZOMETRII (3:4)

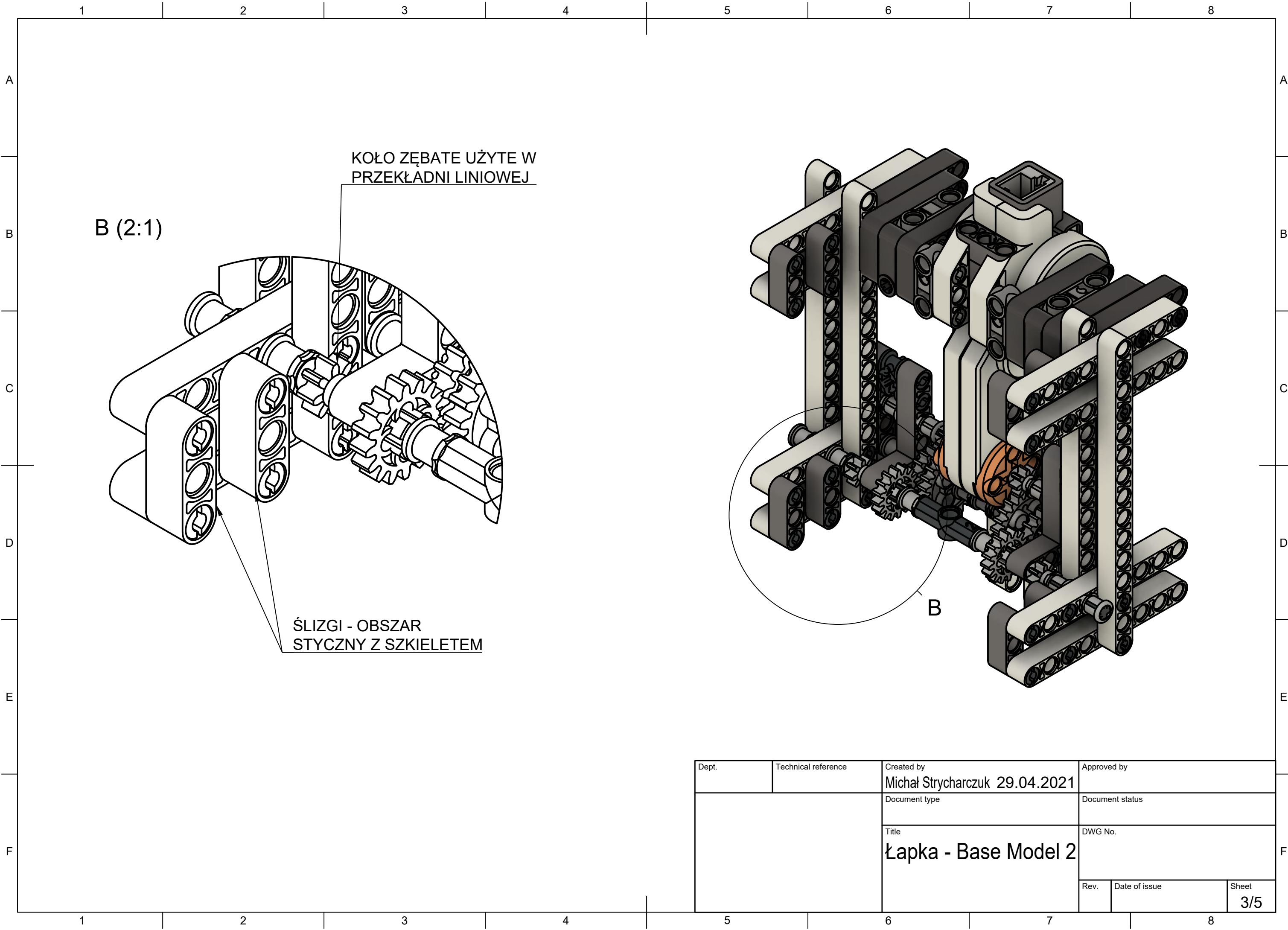
Dept.	Technical reference	Created by Monika Szuba 04.05.2021	Approved by	
		Document type	Document status	
		Title Front Core	DWG No.	
		Rev.	Date of issue	Sheet 6/6



Dept.	Technical reference	Created by Michał Strycharczuk 29.04.2021	Approved by
		Document type	Document status
		Title Łapka - Base Model 2	DWG No.
	Rev.	Date of issue	Sheet 1/5



Dept.	Technical reference	Created by Michał Strycharczuk 29.04.2021	Approved by
		Document type	Document status
		Title Łapka - Base Model 2	DWG No.
	Rev.	Date of issue	Sheet 2/5



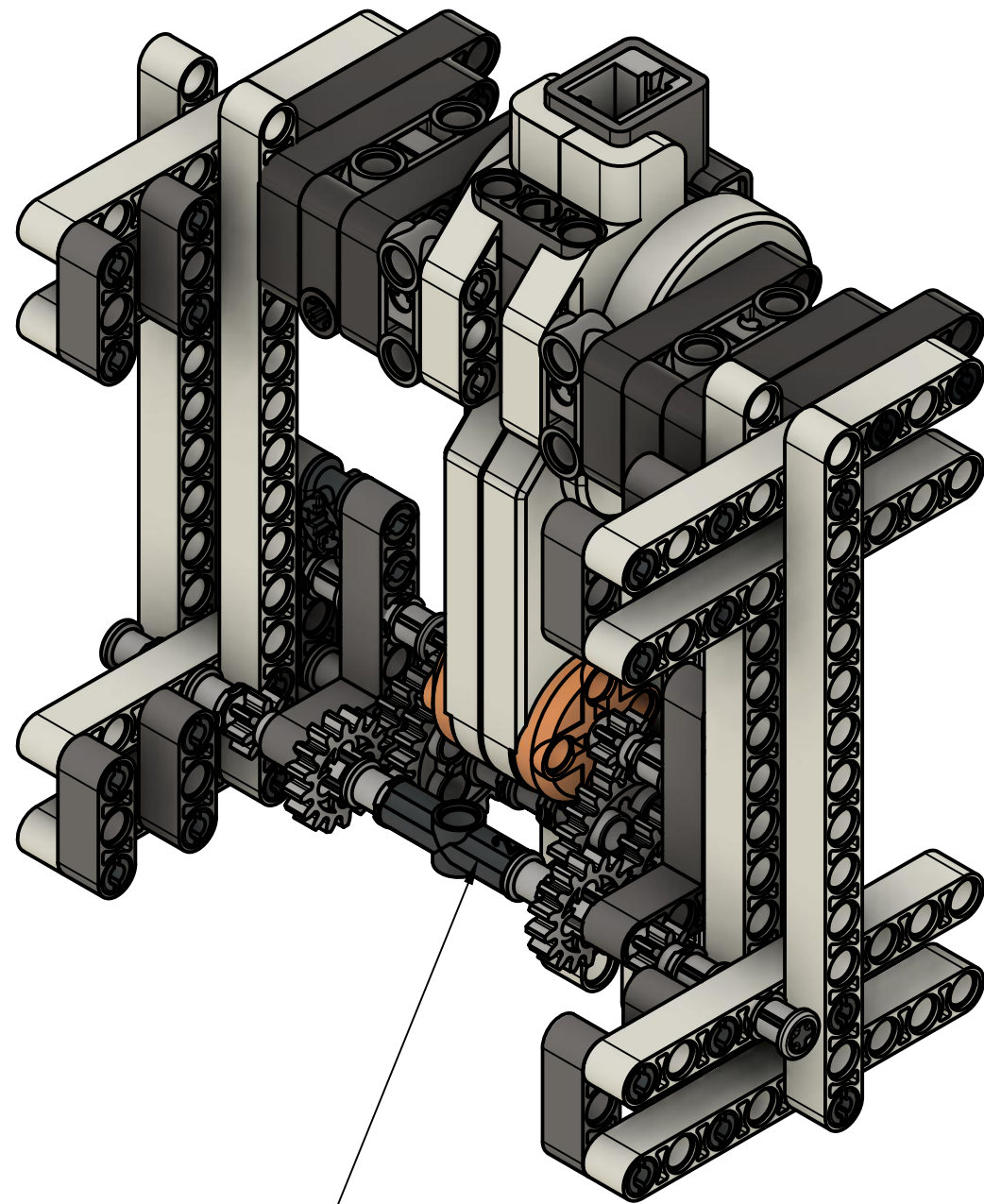
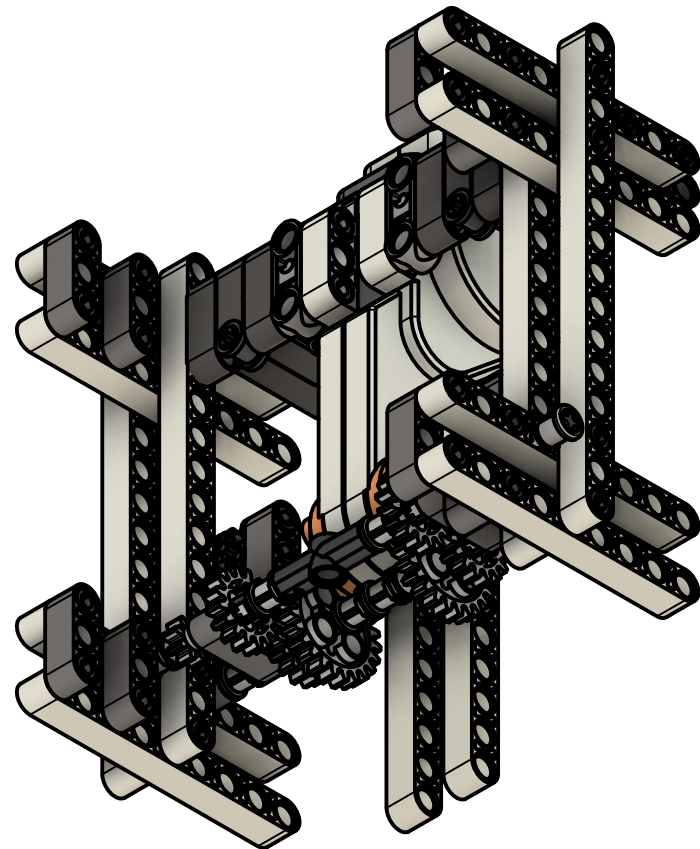
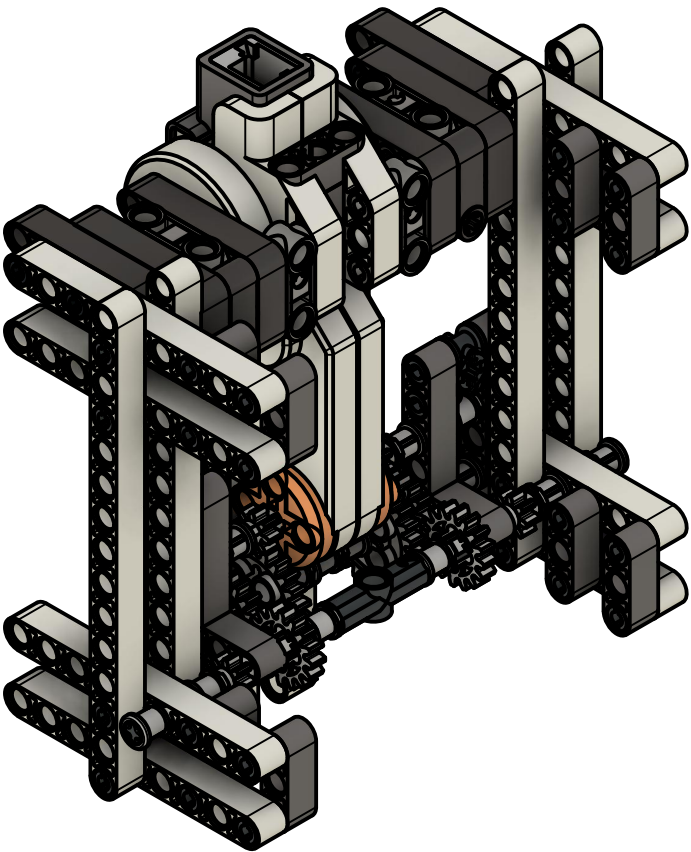
B (2:1)

KOŁO ZĘBATE UŻYTE W PRZEKŁADNI LINIOWEJ

ŚLIZGI - OBSZAR STYCZNY Z SZKIELETEM

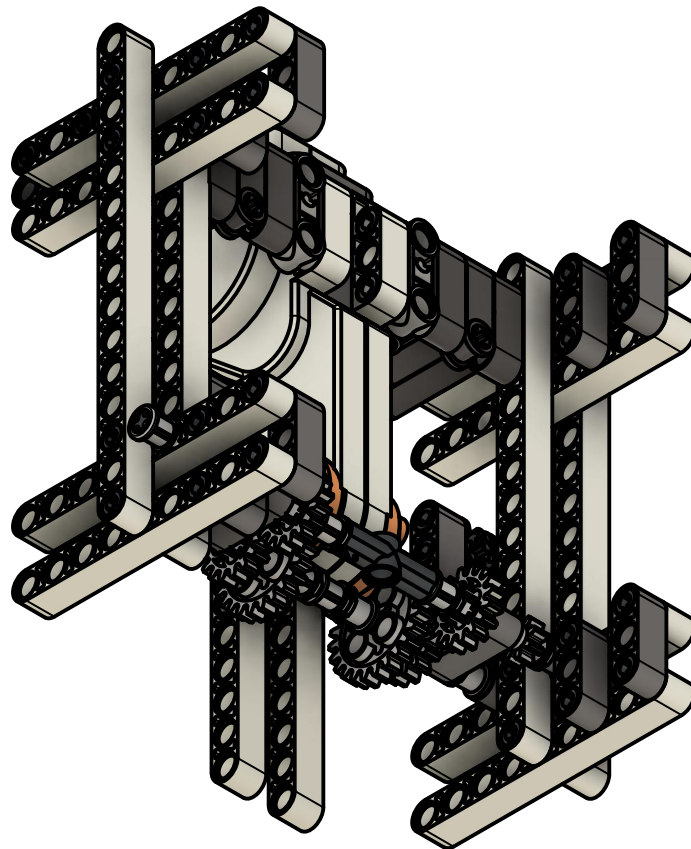
B

Dept.	Technical reference	Created by Michał Strycharczuk 29.04.2021	Approved by
		Document type	Document status
		Title Łapka - Base Model 2	DWG No.
		Rev.	Date of issue
			Sheet 3/5

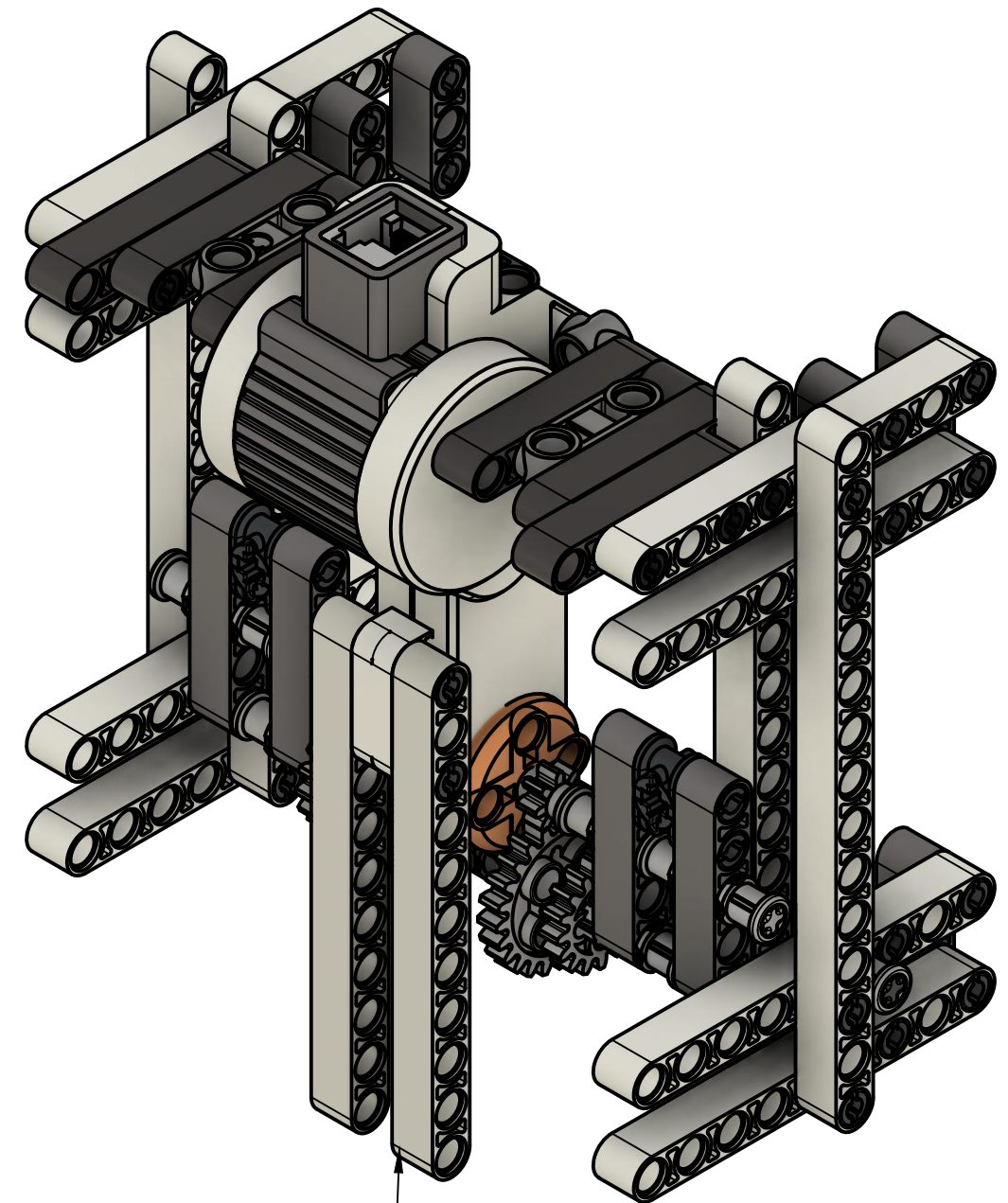
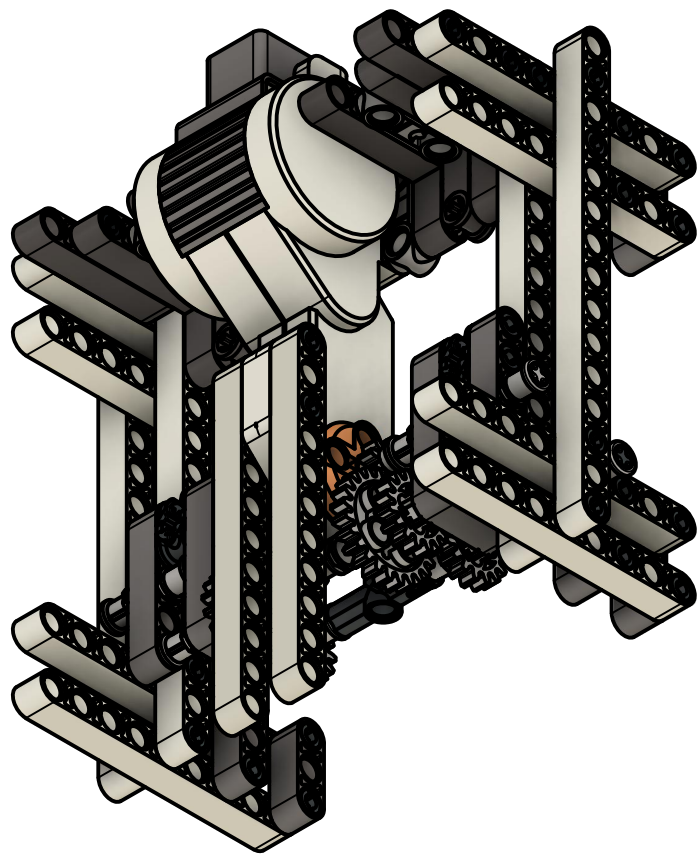
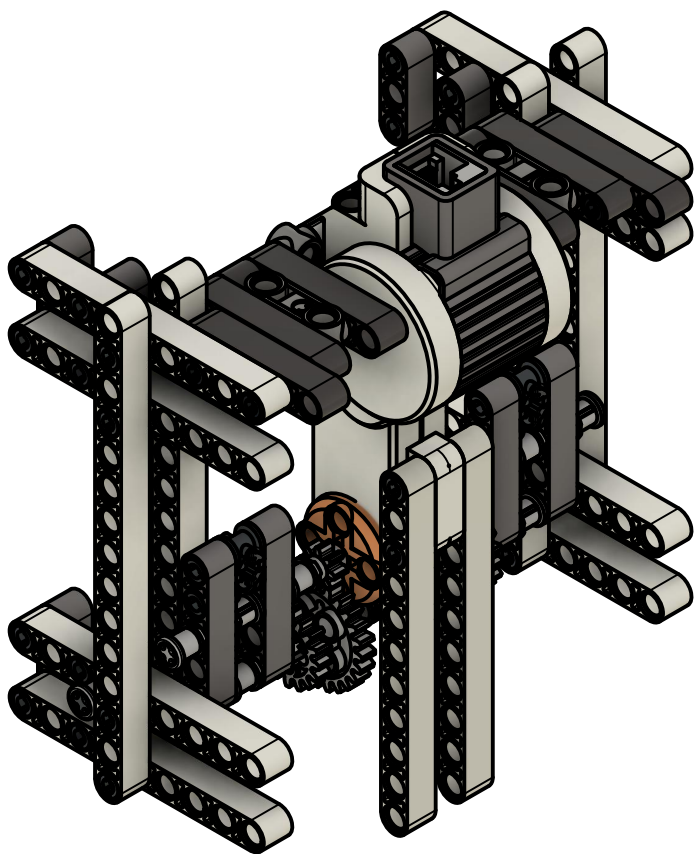


WIDOKI IZOMETRYCZNE (1:1.5)

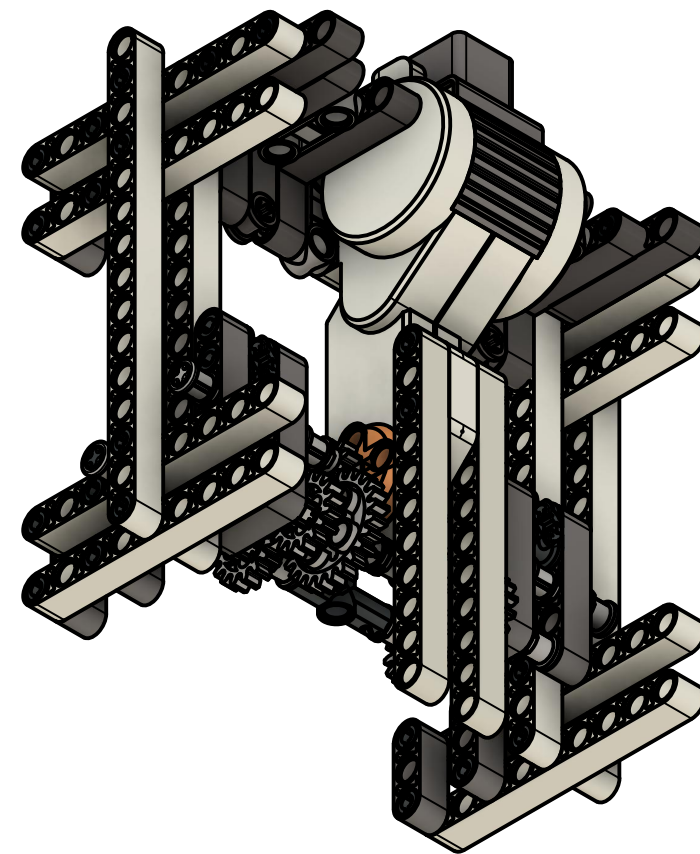
WIDOK RZECZYWISTY W IZOMERII (1:1)



Dept.	Technical reference	Created by Michał Strycharczuk 29.04.2021	Approved by
		Document type	Document status
		Title Łapka - Base Model 2	DWG No.
	Rev.	Date of issue	Sheet 4/5

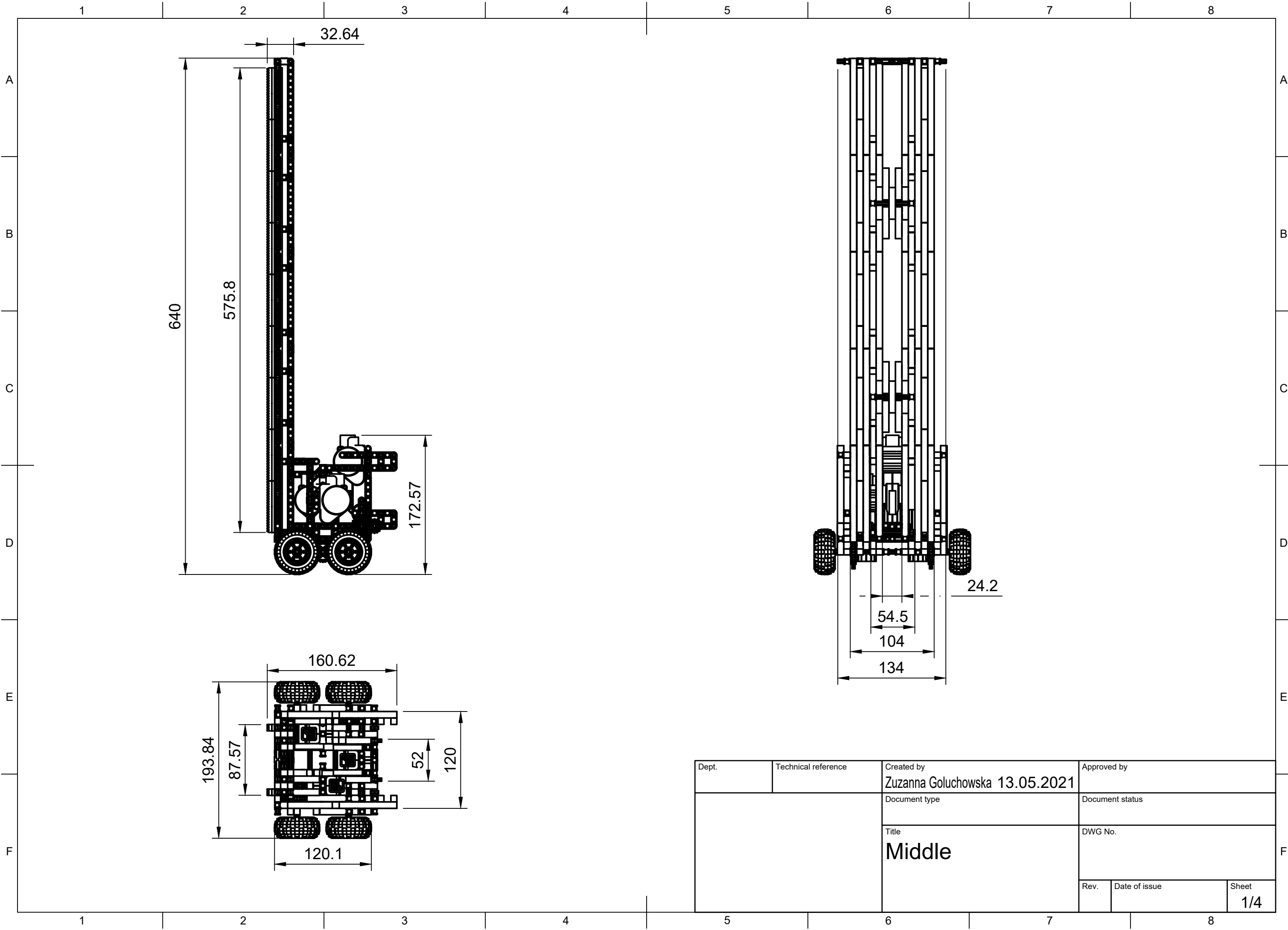


WIDOKI IZOMETRZYCZNE (1:1.5)



WIDOK W IZOMETRII RZECZYWISTEJ (1:1)

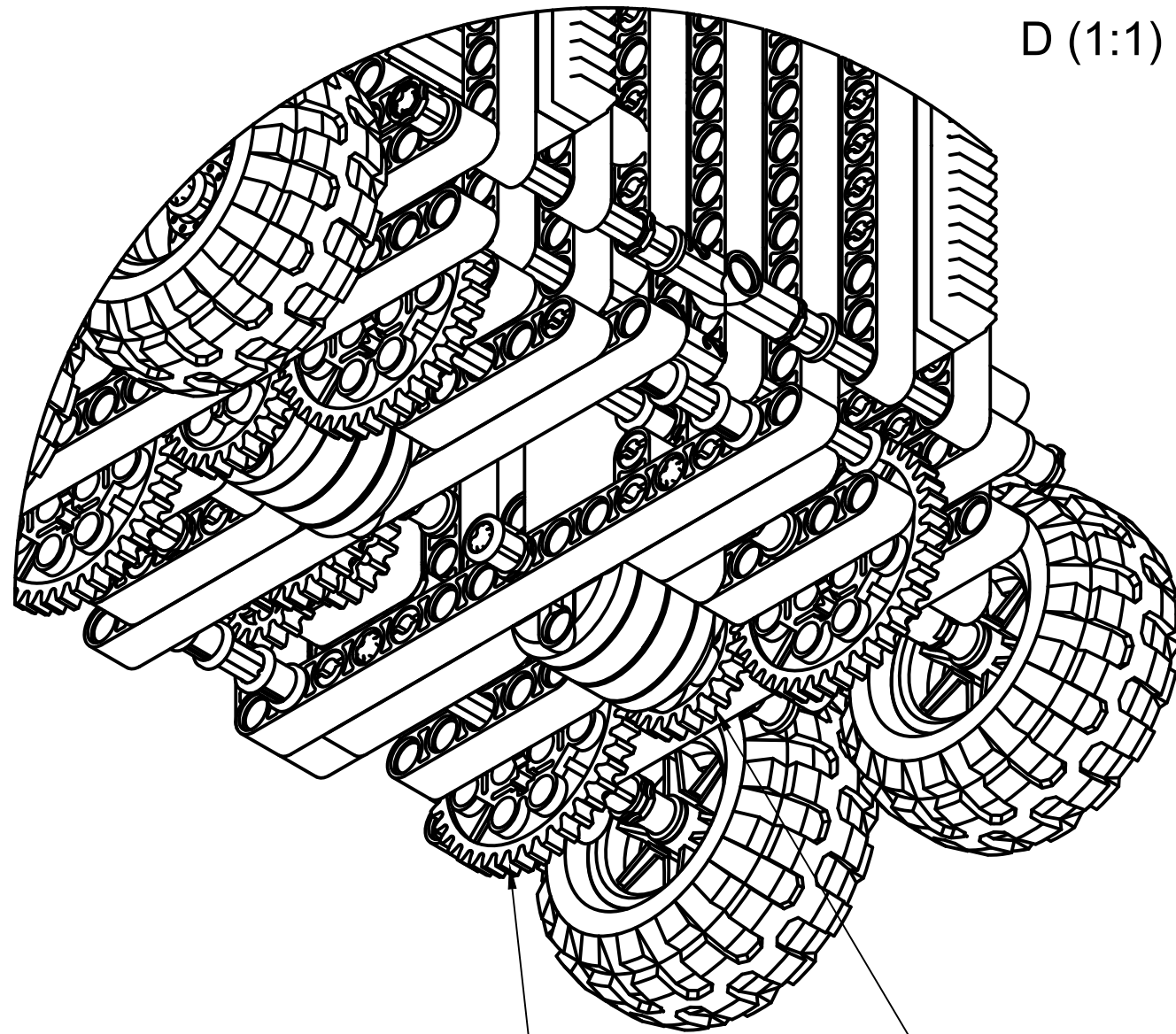
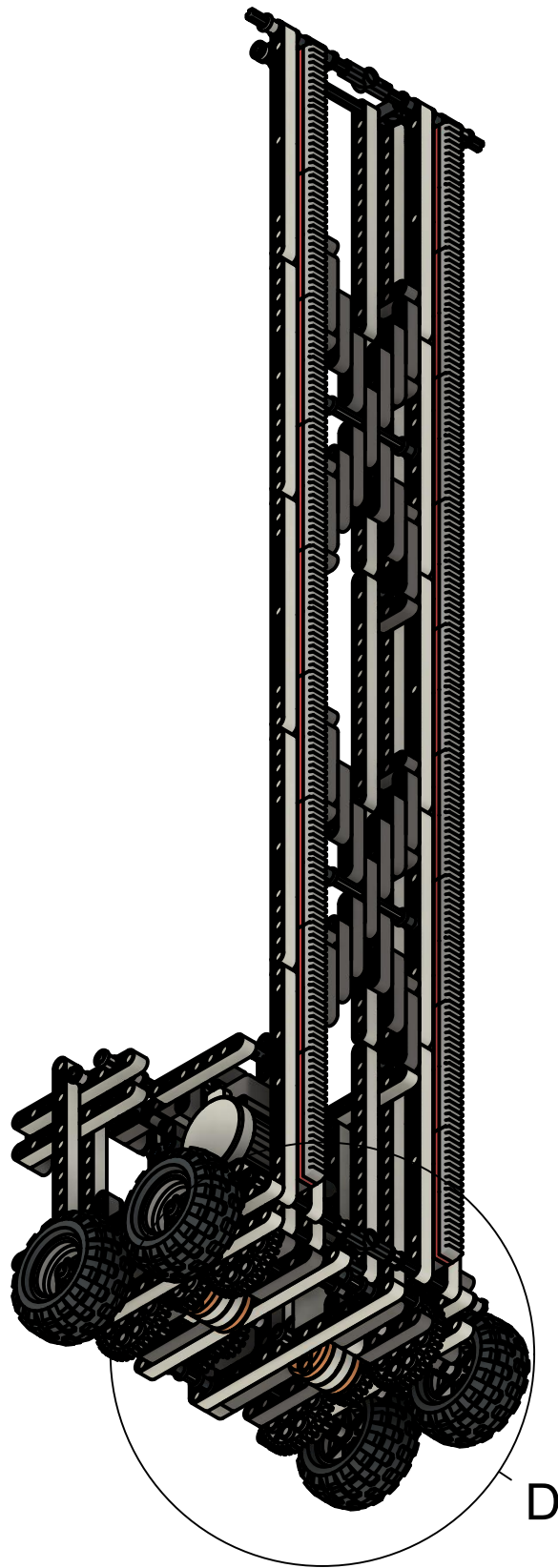
Dept.	Technical reference	Created by Michał Strycharczuk 29.04.2021	Approved by	
		Document type	Document status	
		Title Łapka - Base Model 2	DWG No.	
		Rev.	Date of issue	Sheet 5/5



Dept.	Technical reference	Created by Zuzanna Goluchowska 13.05.2021	Approved by
		Document type	Document status
		Title Middle	DWG No.
Rev.	Date of issue	Sheet 1/4	

1 2 3 4 5 6 7 8

A
B
C
D
E
F



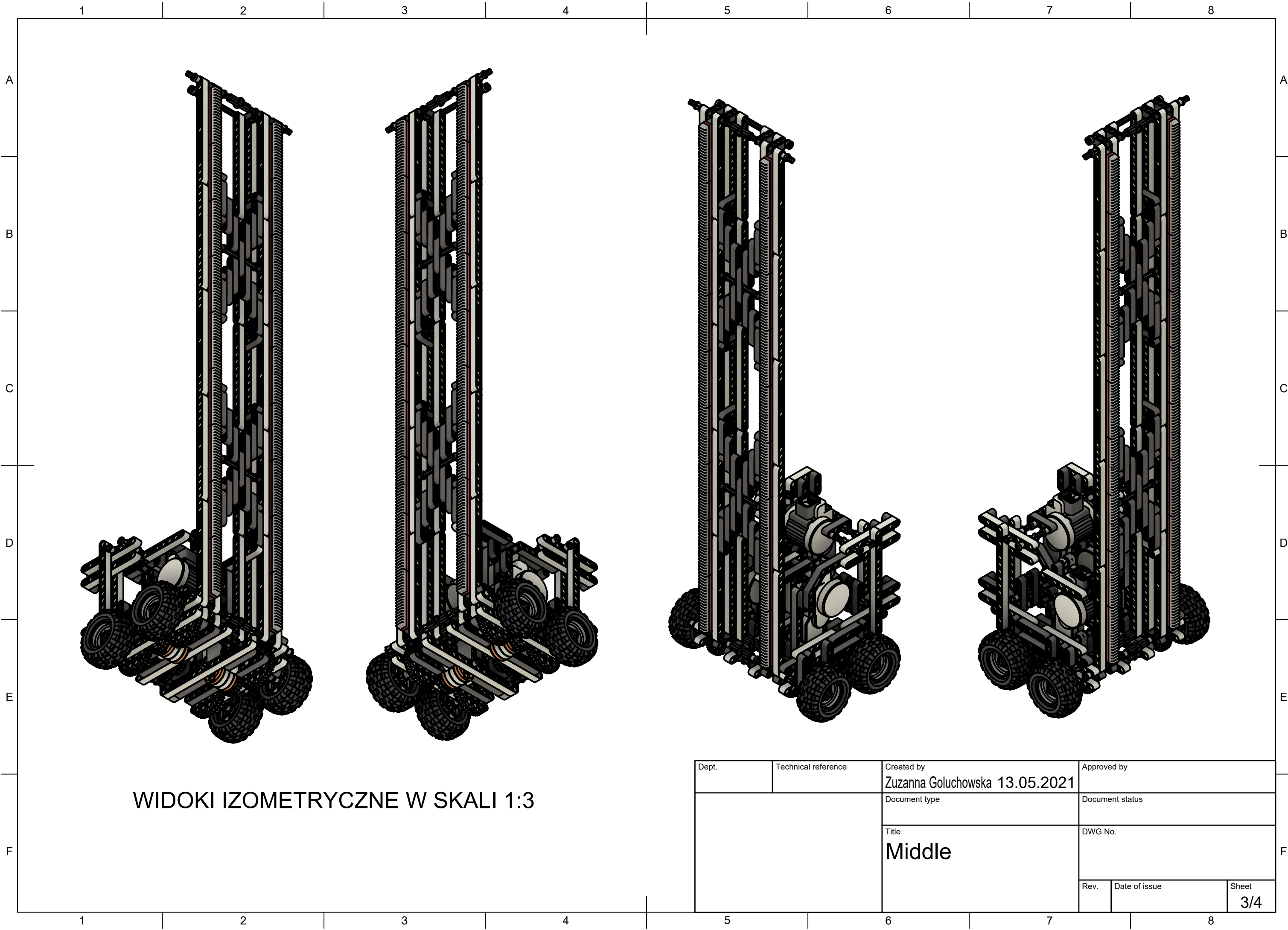
D (1:1)

WAŁ NAPĘDOWY

PRZEKŁADNIA REDUKCYJNA 3:5

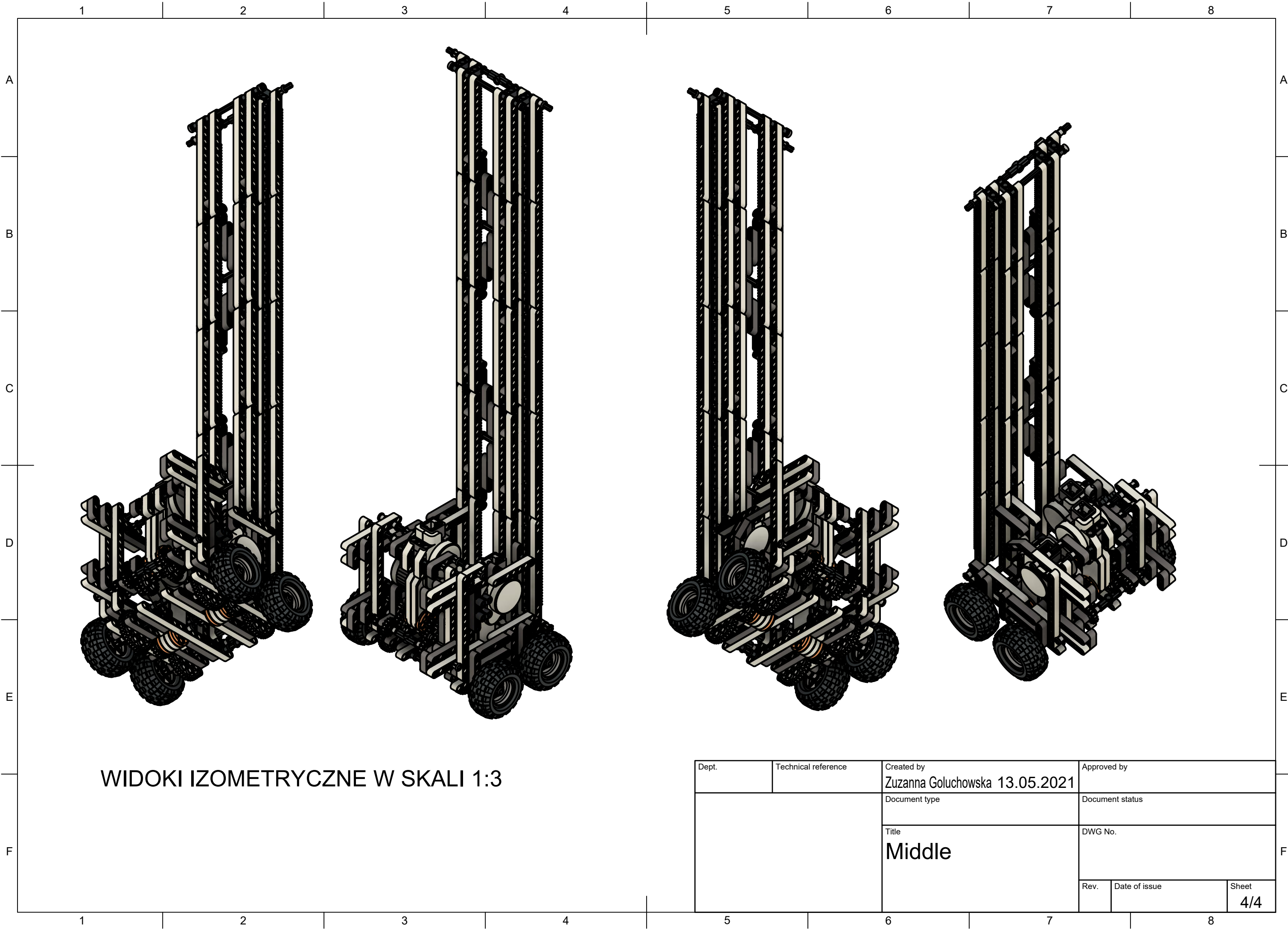
Dept.	Technical reference	Created by Zuzanna Goluchowska 13.05.2021	Approved by
		Document type	Document status
		Title Middle	DWG No.
		Rev.	Date of issue
		Sheet 2/4	

1 2 3 4 5 6 7 8



WIDOKI IZOMETRYCZNE W SKALI 1:3

Dept.	Technical reference	Created by Zuzanna Goluchowska 13.05.2021	Approved by
		Document type	Document status
		Title Middle	DWG No.
		Rev.	Date of issue
		Sheet 3/4	

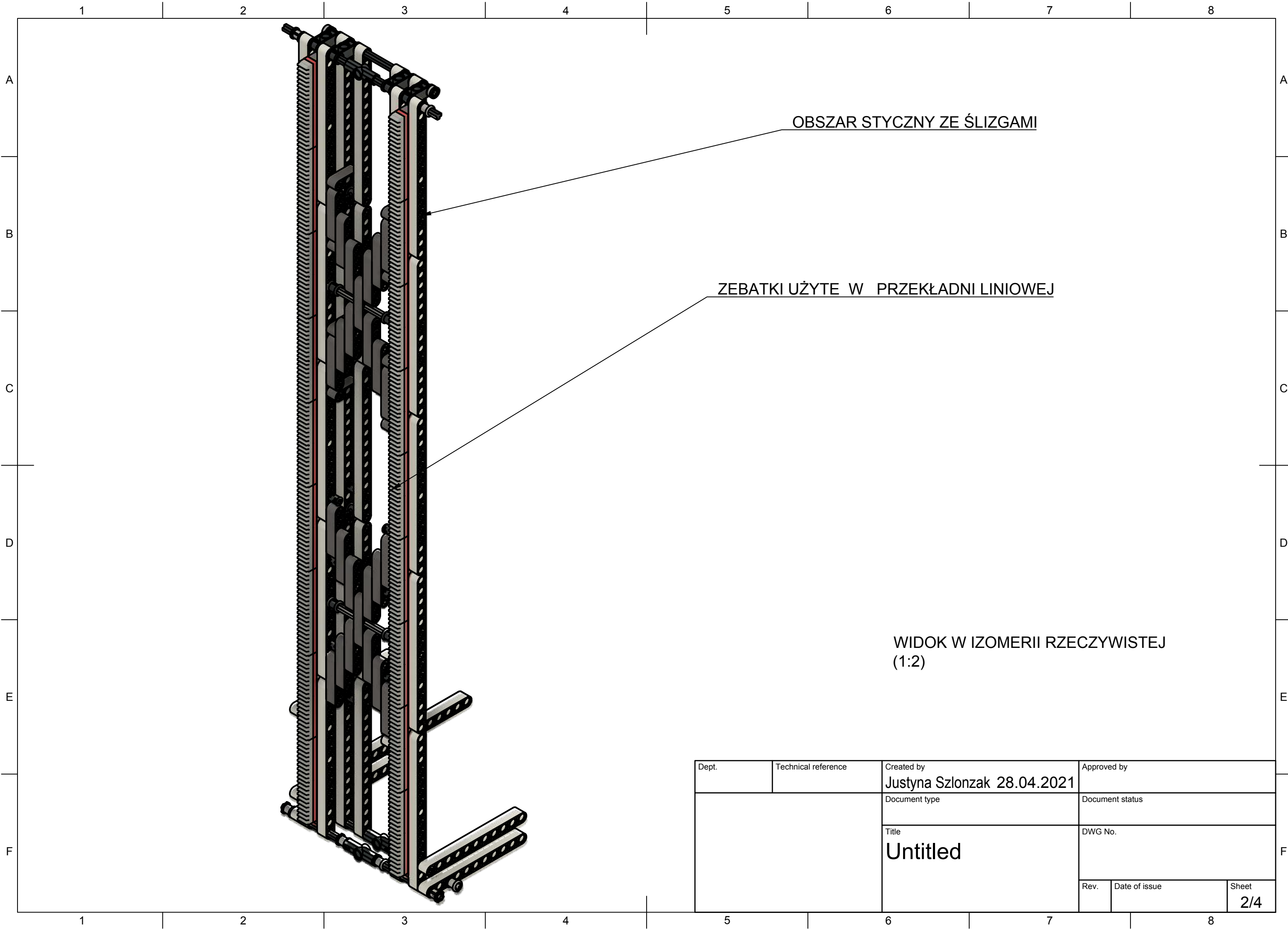


WIDOKI IZOMETRYCZNE W SKALI 1:3

Dept.	Technical reference	Created by Zuzanna Goluchowska 13.05.2021	Approved by
		Document type	Document status
		Title Middle	DWG No.
		Rev.	Date of issue
		Sheet 4/4	



Dept.	Technical reference	Created by Justyna Szlonzak 28.04.2021	Approved by	
		Document type	Document status	
		Title Untitled	DWG No.	
		Rev.	Date of issue	Sheet 1/4

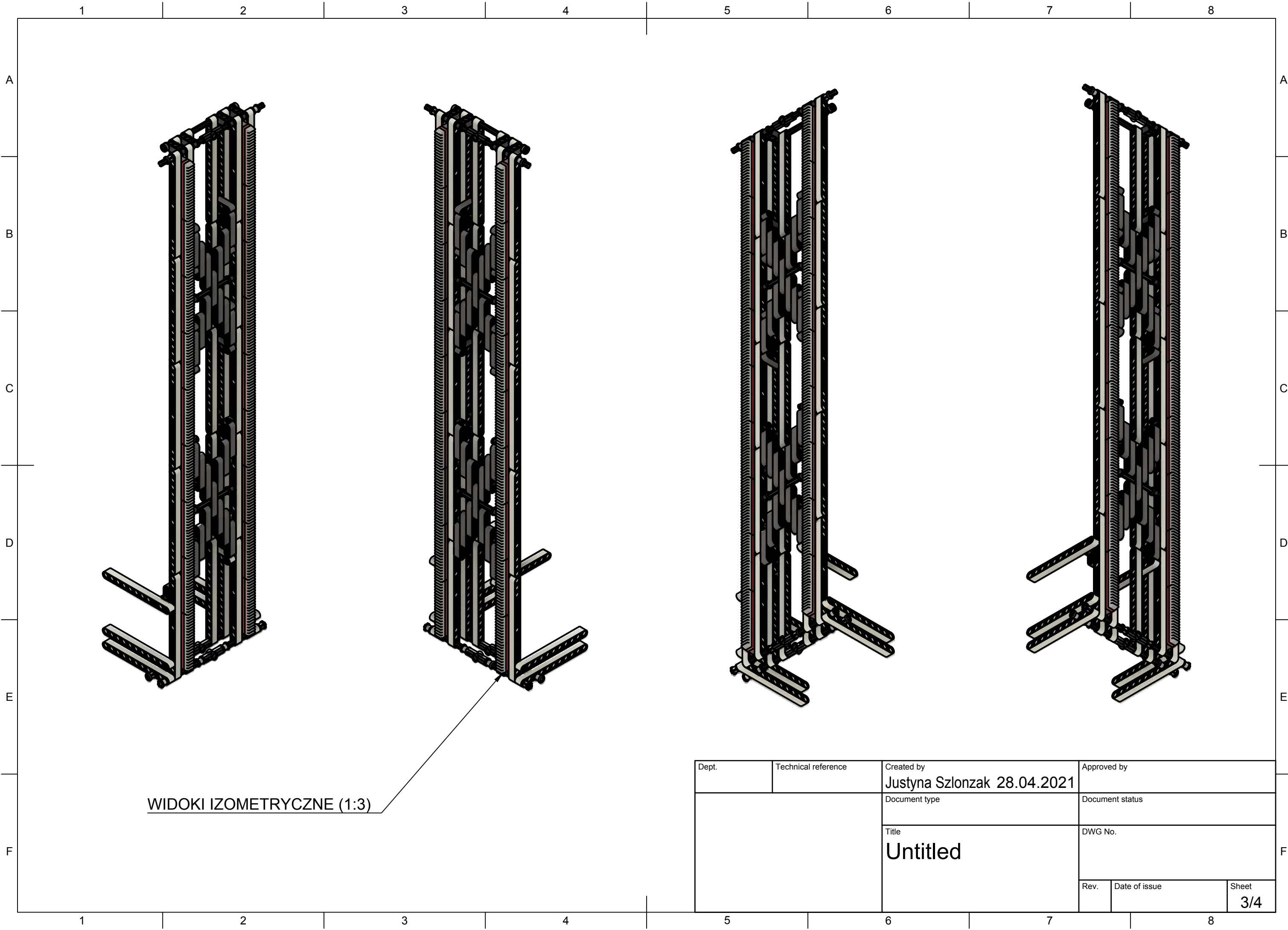


OBSZAR STYCZNY ZE ŚLIZGAMI

ZEBATKI UŻYTE W PRZEKŁADNI LINIOWEJ

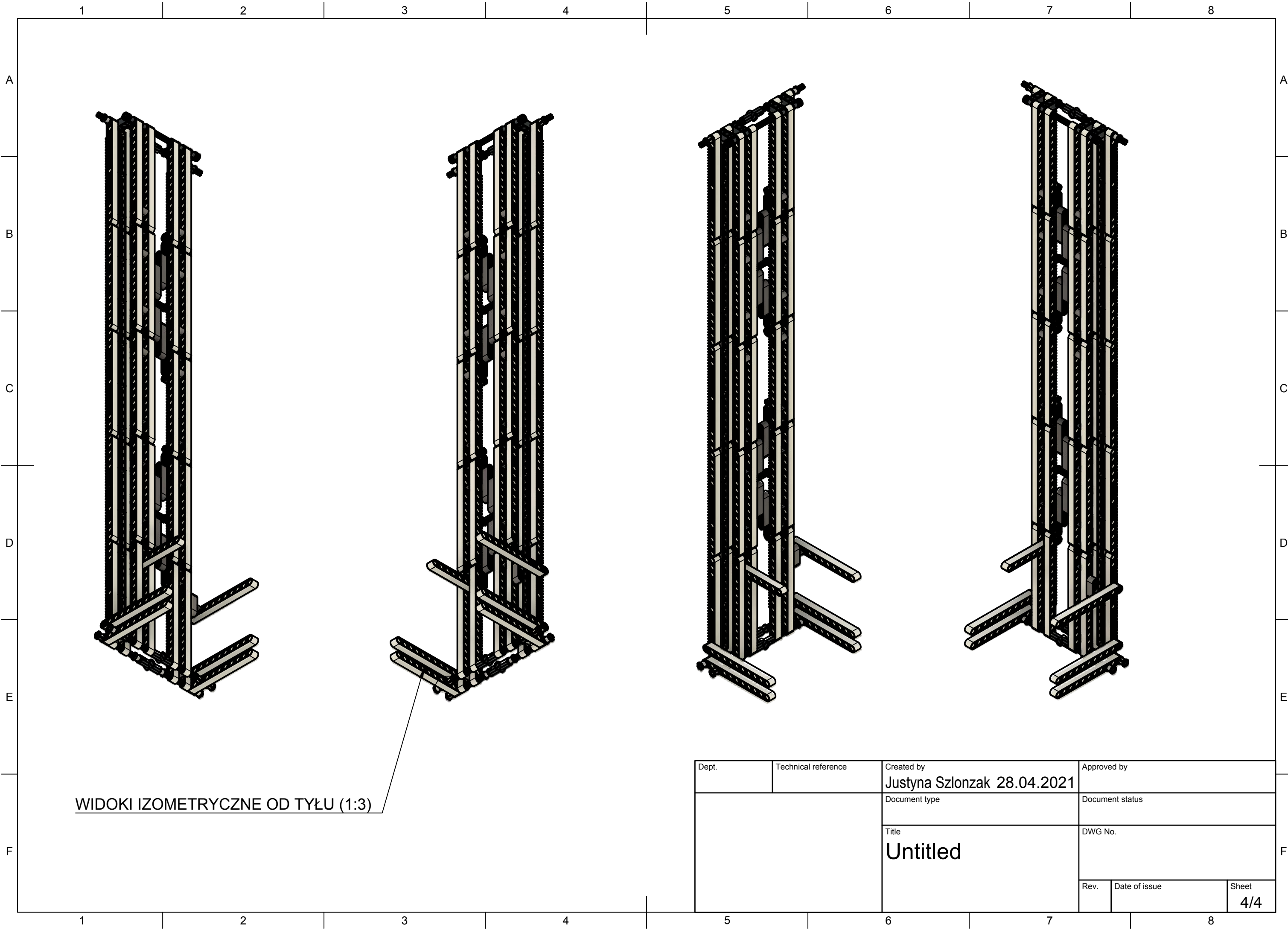
WIDOK W IZOMERII RZECZYWISTEJ
(1:2)

Dept.	Technical reference	Created by Justyna Szlonzak 28.04.2021	Approved by	
		Document type	Document status	
		Title Untitled	DWG No.	
		Rev.	Date of issue	Sheet 2/4



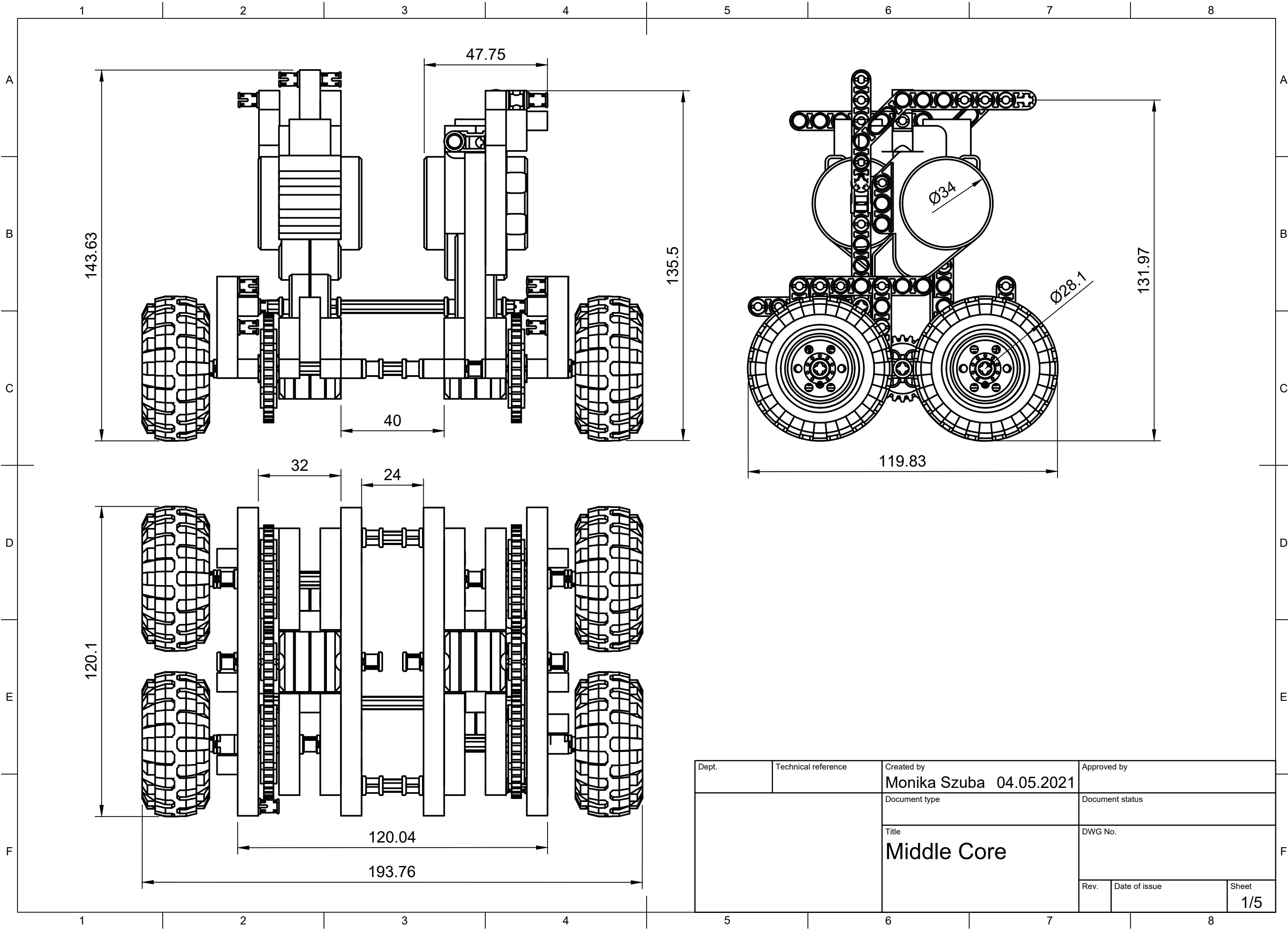
WIDOKI IZOMETRYCZNE (1:3)

Dept.	Technical reference	Created by Justyna Szlonzak 28.04.2021	Approved by	
		Document type	Document status	
		Title Untitled	DWG No.	
	Rev.	Date of issue	Sheet	3/4

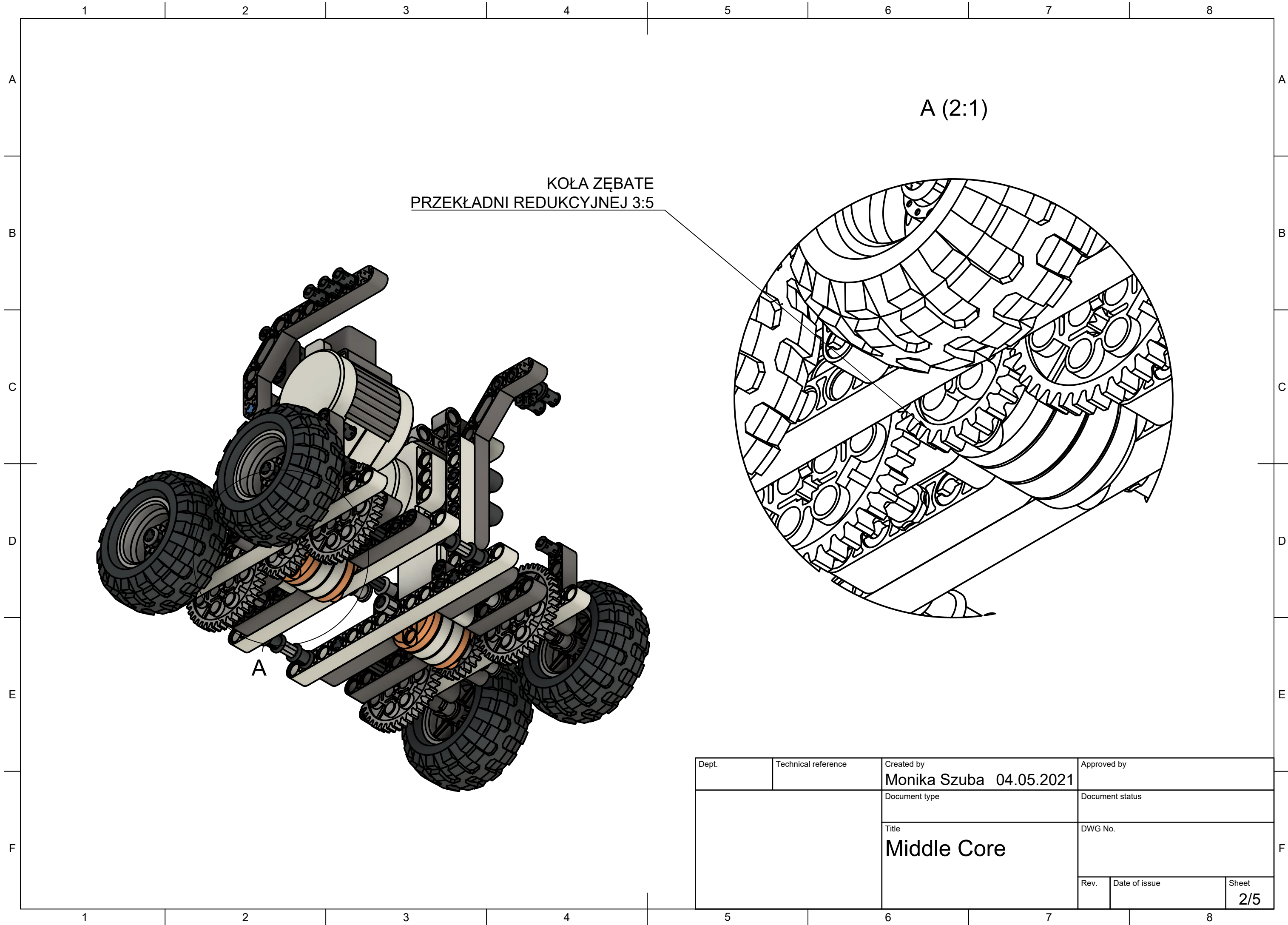


WIDOKI IZOMETRYCZNE OD TYŁU (1:3)

Dept.	Technical reference	Created by Justyna Szlonzak 28.04.2021	Approved by
		Document type	Document status
		Title Untitled	DWG No.
	Rev.	Date of issue	Sheet 4/4



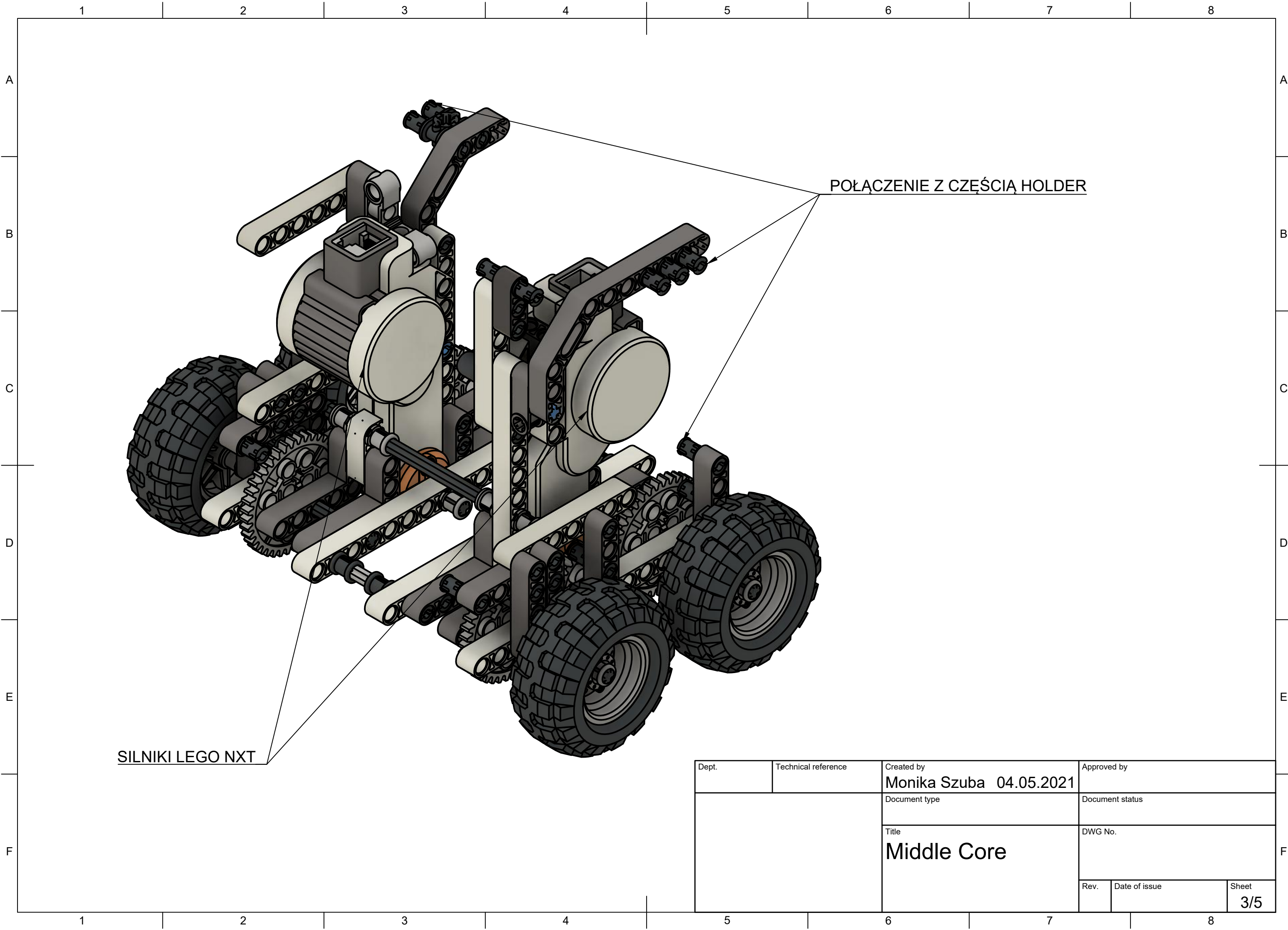
Dept.	Technical reference	Created by Monika Szuba 04.05.2021	Approved by
		Document type	Document status
		Title Middle Core	DWG No.
		Rev.	Date of issue
		Sheet 1/5	



KOŁA ZĘBATE
PRZEKŁADNI REDUKCYJNEJ 3:5

A (2:1)

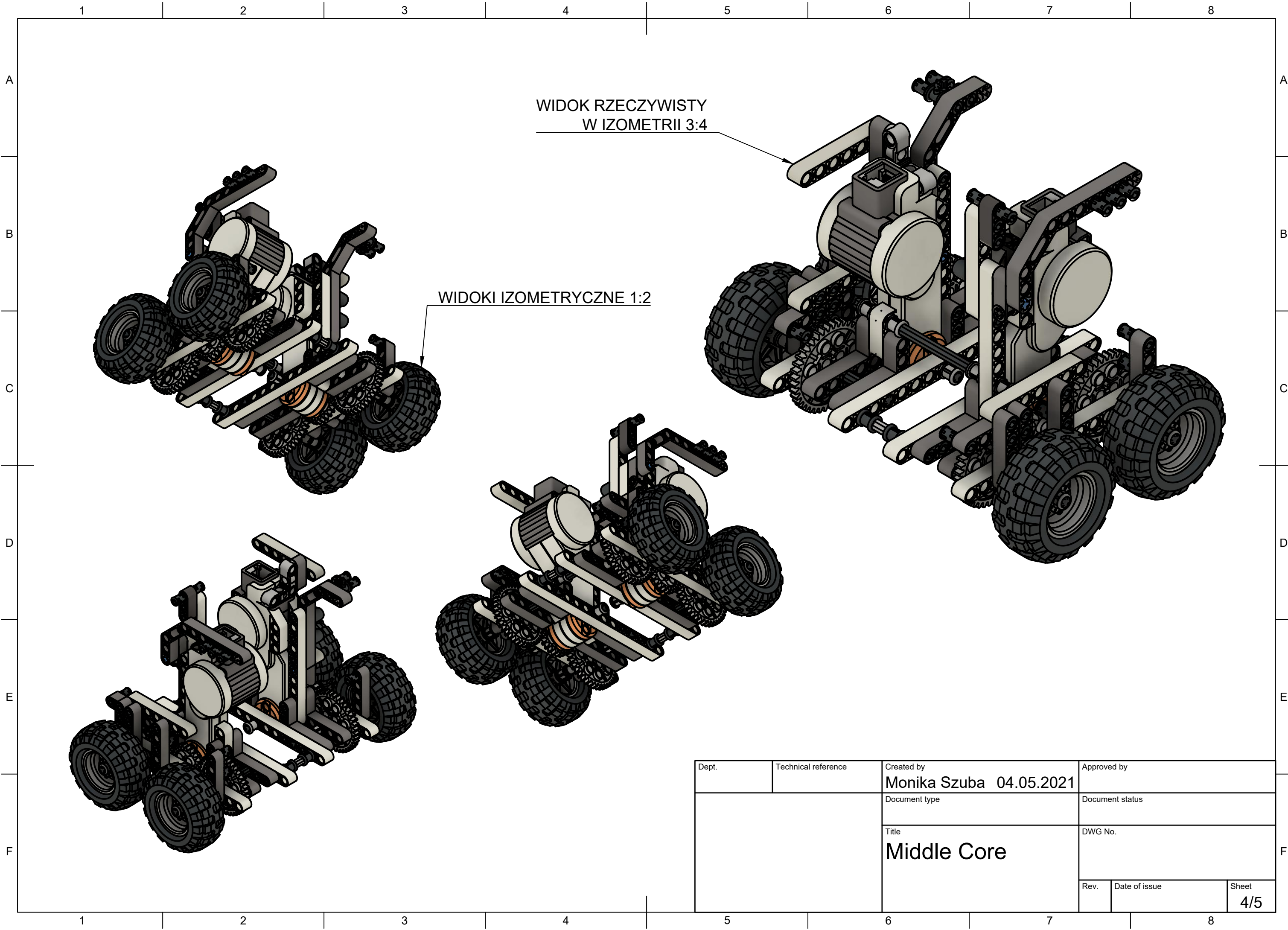
Dept.	Technical reference	Created by Monika Szuba 04.05.2021	Approved by	
		Document type	Document status	
		Title Middle Core	DWG No.	
		Rev.	Date of issue	Sheet 2/5



POŁĄCZENIE Z CZĘŚCIĄ HOLDER

SILNIKI LEGO NXT

Dept.	Technical reference	Created by Monika Szuba 04.05.2021	Approved by	
		Document type	Document status	
		Title Middle Core	DWG No.	
	Rev.	Date of issue	Sheet	3/5



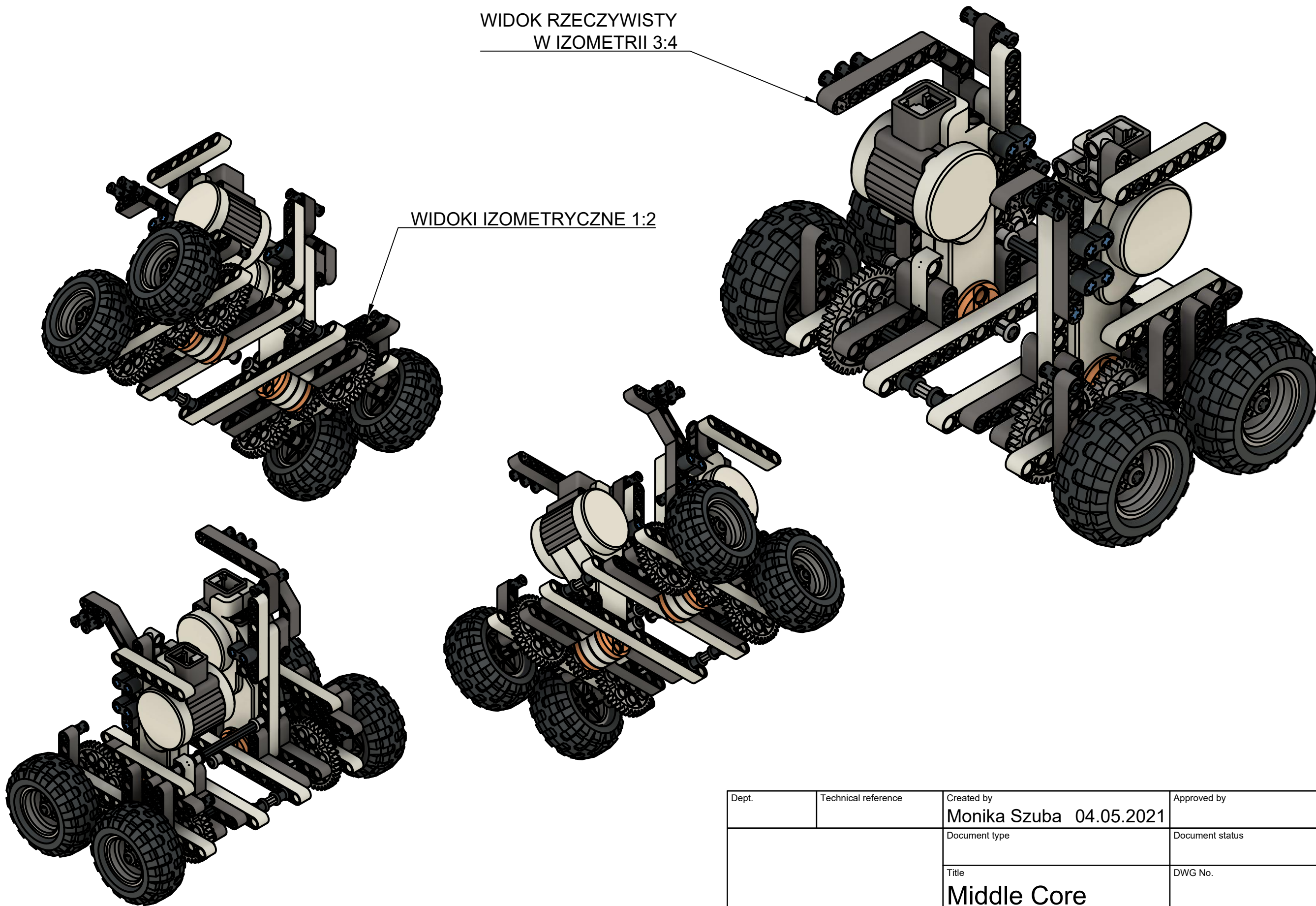
WIDOK RZECZYWISTY
W IZOMETRII 3:4

WIDOKI IZOMETRYCZNE 1:2

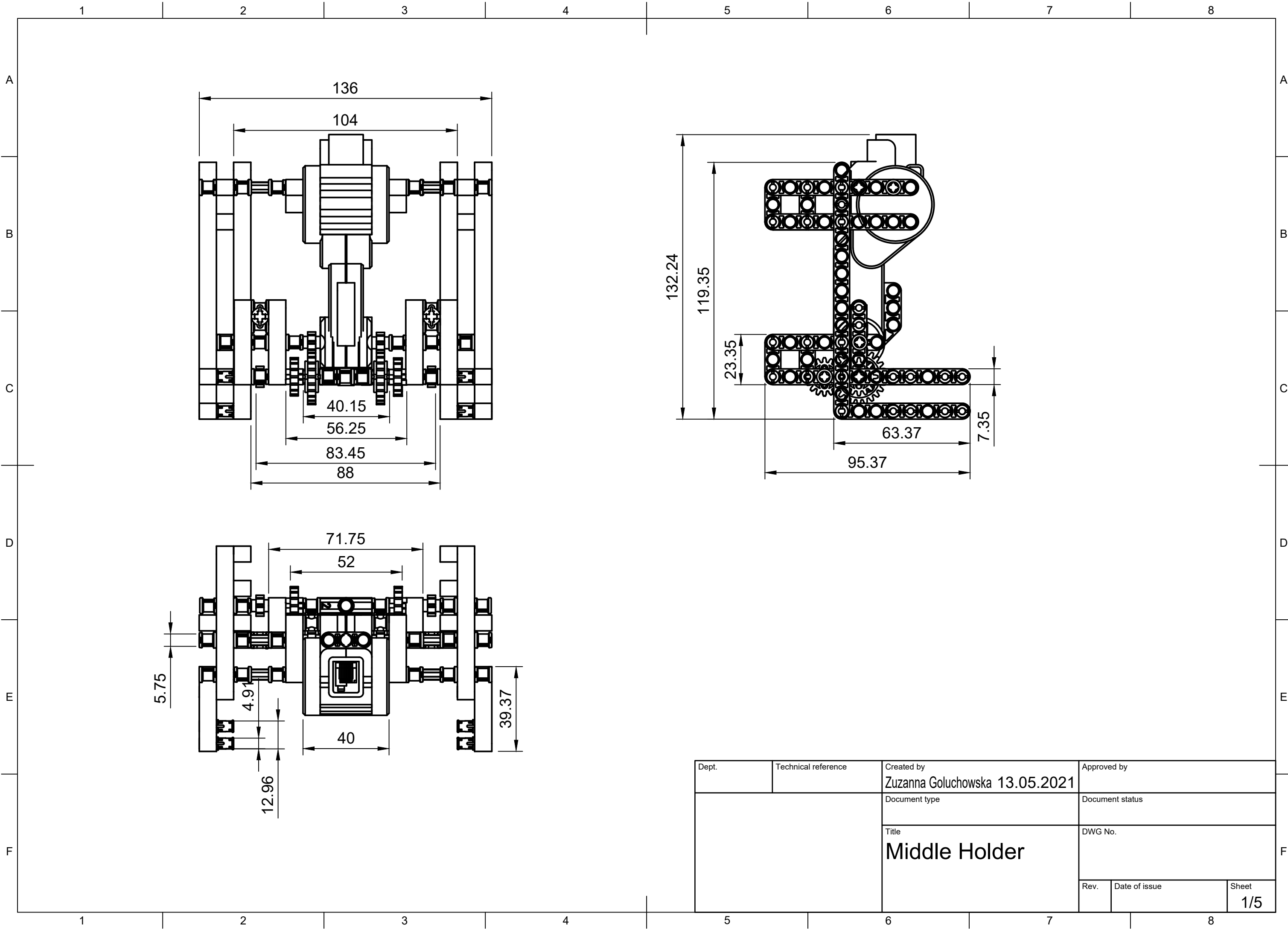
Dept.	Technical reference	Created by Monika Szuba 04.05.2021	Approved by	
		Document type	Document status	
		Title Middle Core	DWG No.	
		Rev.	Date of issue	Sheet 4/5

WIDOK RZECZYWISTY
W IZOMETRII 3:4

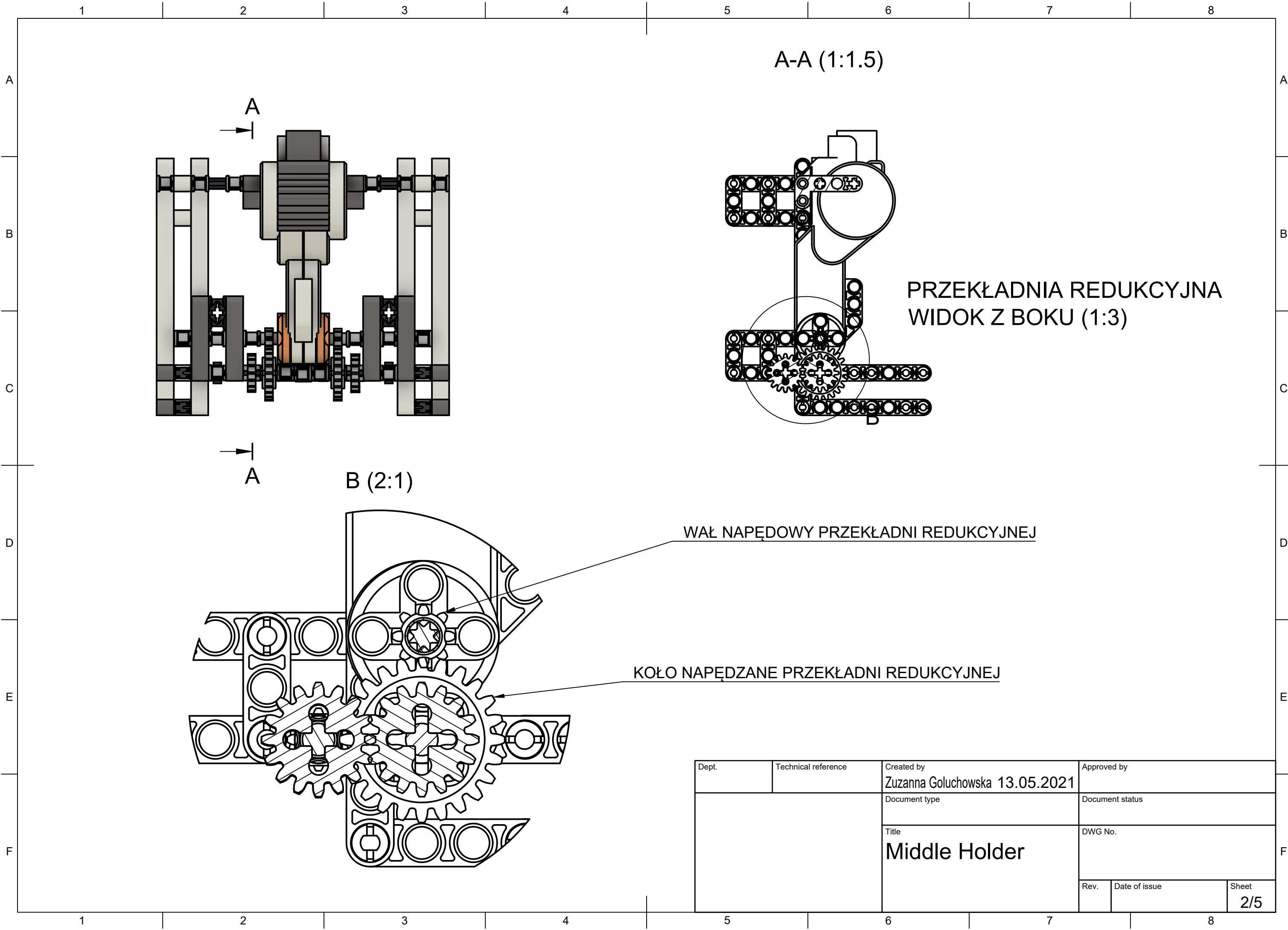
WIDOKI IZOMETRYCZNE 1:2



Dept.	Technical reference	Created by Monika Szuba 04.05.2021	Approved by	
		Document type	Document status	
		Title Middle Core	DWG No.	
		Rev.	Date of issue	Sheet 5/5



Dept.	Technical reference	Created by Zuzanna Goluchowska 13.05.2021	Approved by
		Document type	Document status
		Title Middle Holder	DWG No.
Rev.	Date of issue	Sheet 1/5	



A-A (1:1.5)

PRZEKŁADNIA REDUKCYJNA
WIDOK Z BOKU (1:3)

B (2:1)

WAŁ NAPĘDOWY PRZEKŁADNI REDUKCYJNEJ

KOŁO NAPĘDZANE PRZEKŁADNI REDUKCYJNEJ

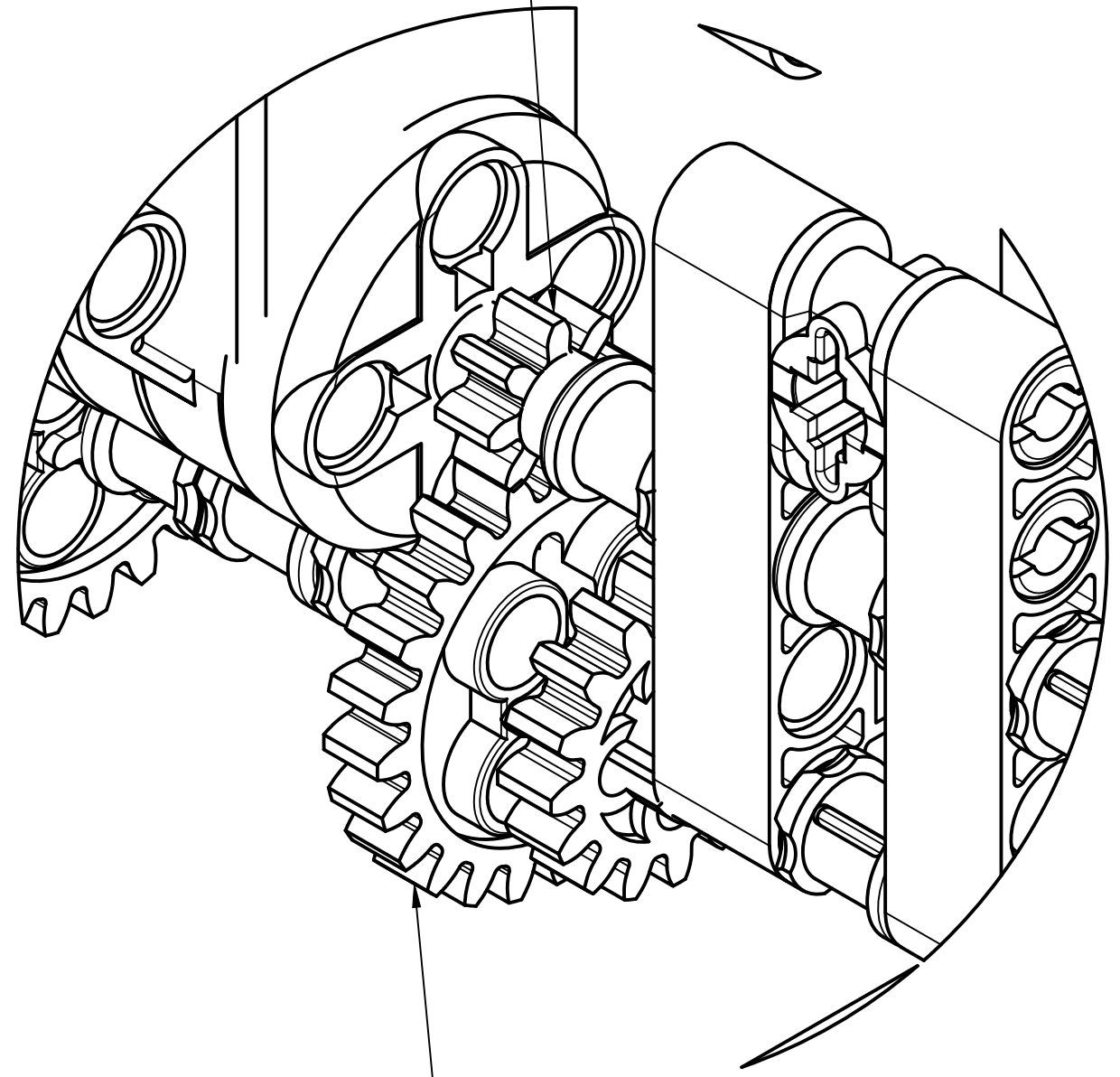
Dept.	Technical reference	Created by Zuzanna Goluchowska 13.05.2021	Approved by
		Document type	Document status
		Title Middle Holder	DWG No.
Rev.	Date of issue	Sheet 2/5	

1 2 3 4 5 6 7 8

A

WAŁ NAPĘDOWY

C (3:1)



PRZEKŁADNIA REDUKCYJNA (1:3)

B

C

D

E

F

A

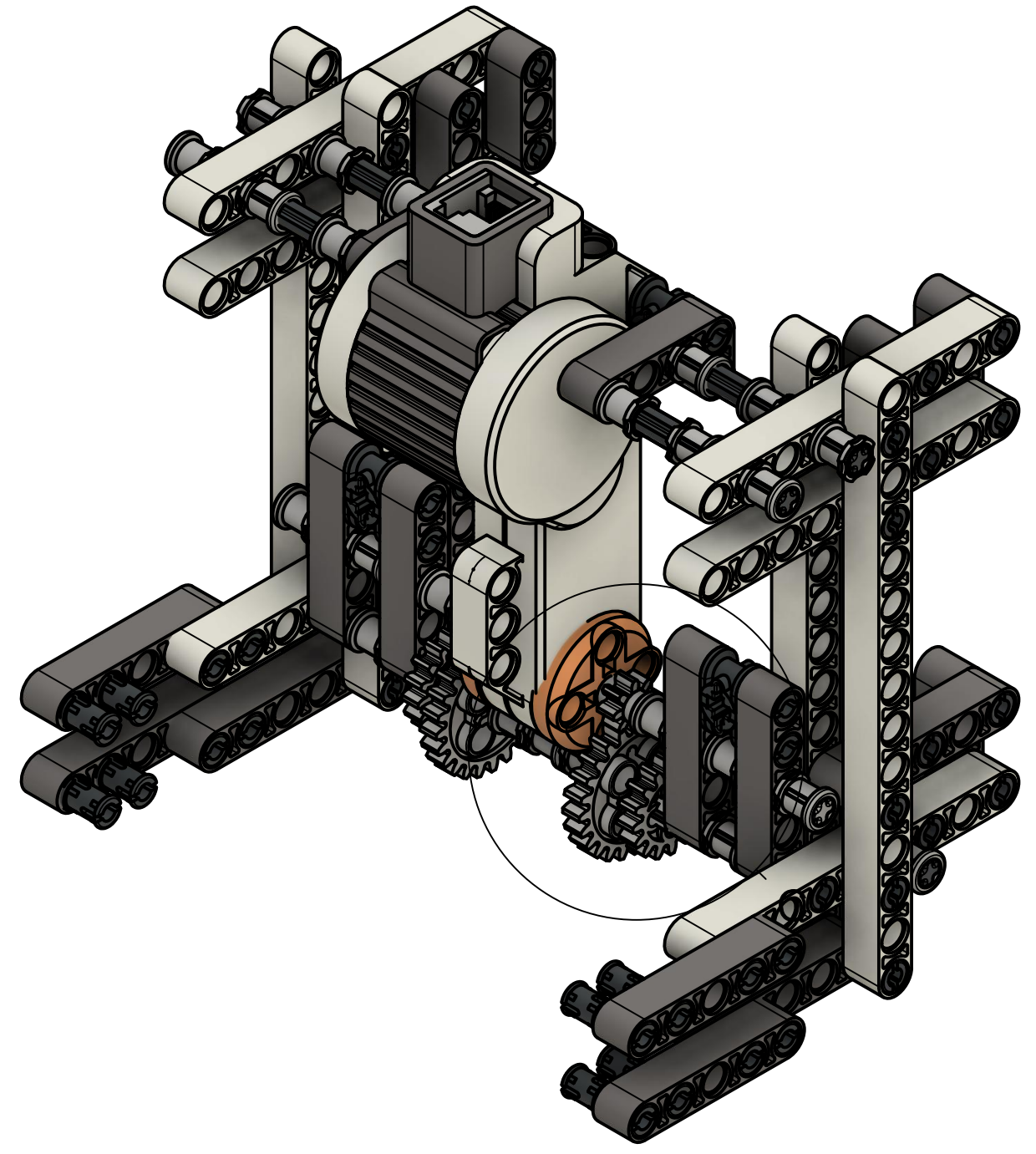
B

C

D

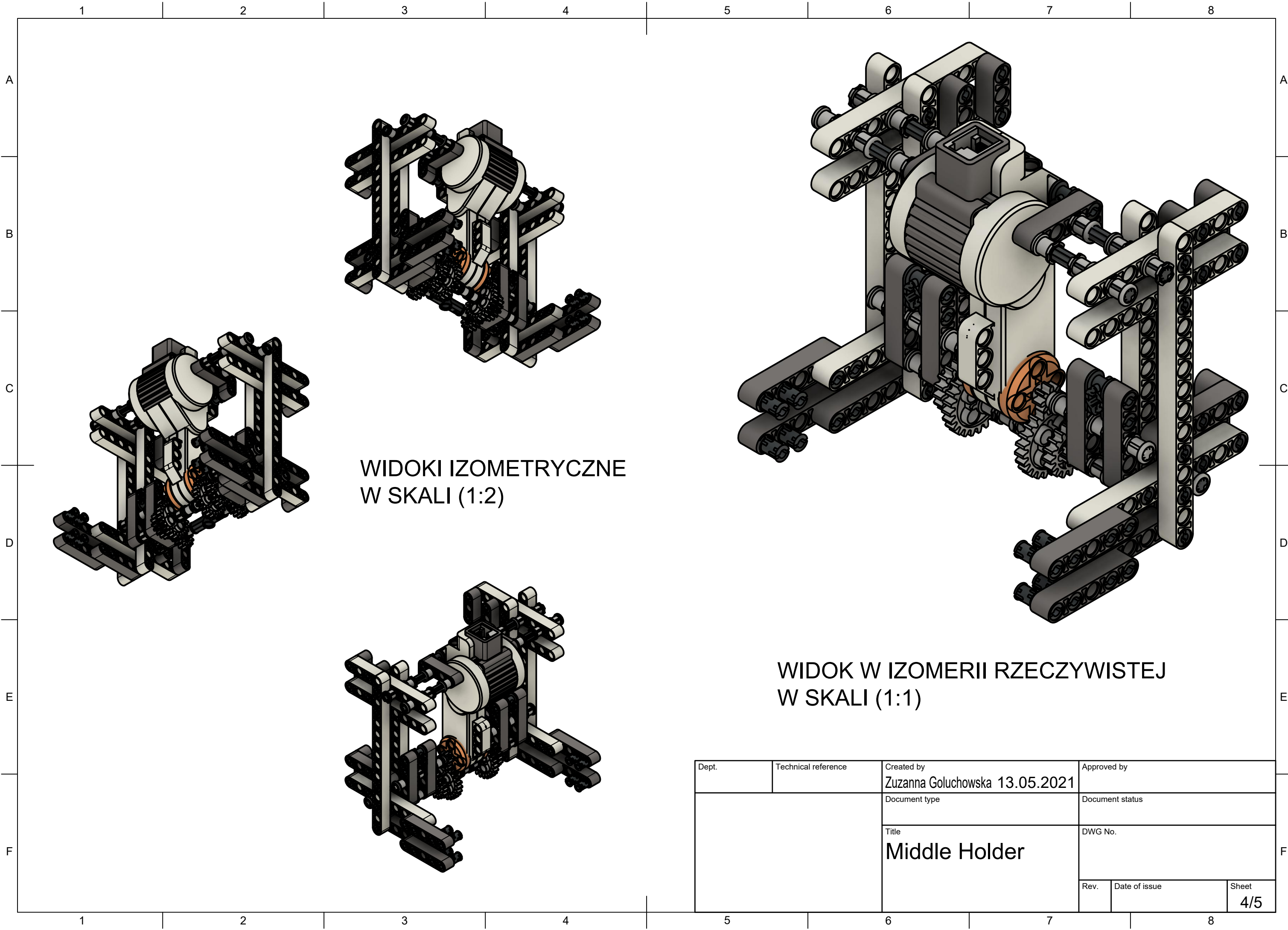
E

F



Dept.	Technical reference	Created by Zuzanna Goluchowska 13.05.2021	Approved by
		Document type	Document status
		Title Middle Holder	DWG No.
		Rev.	Date of issue
		Sheet 3/5	

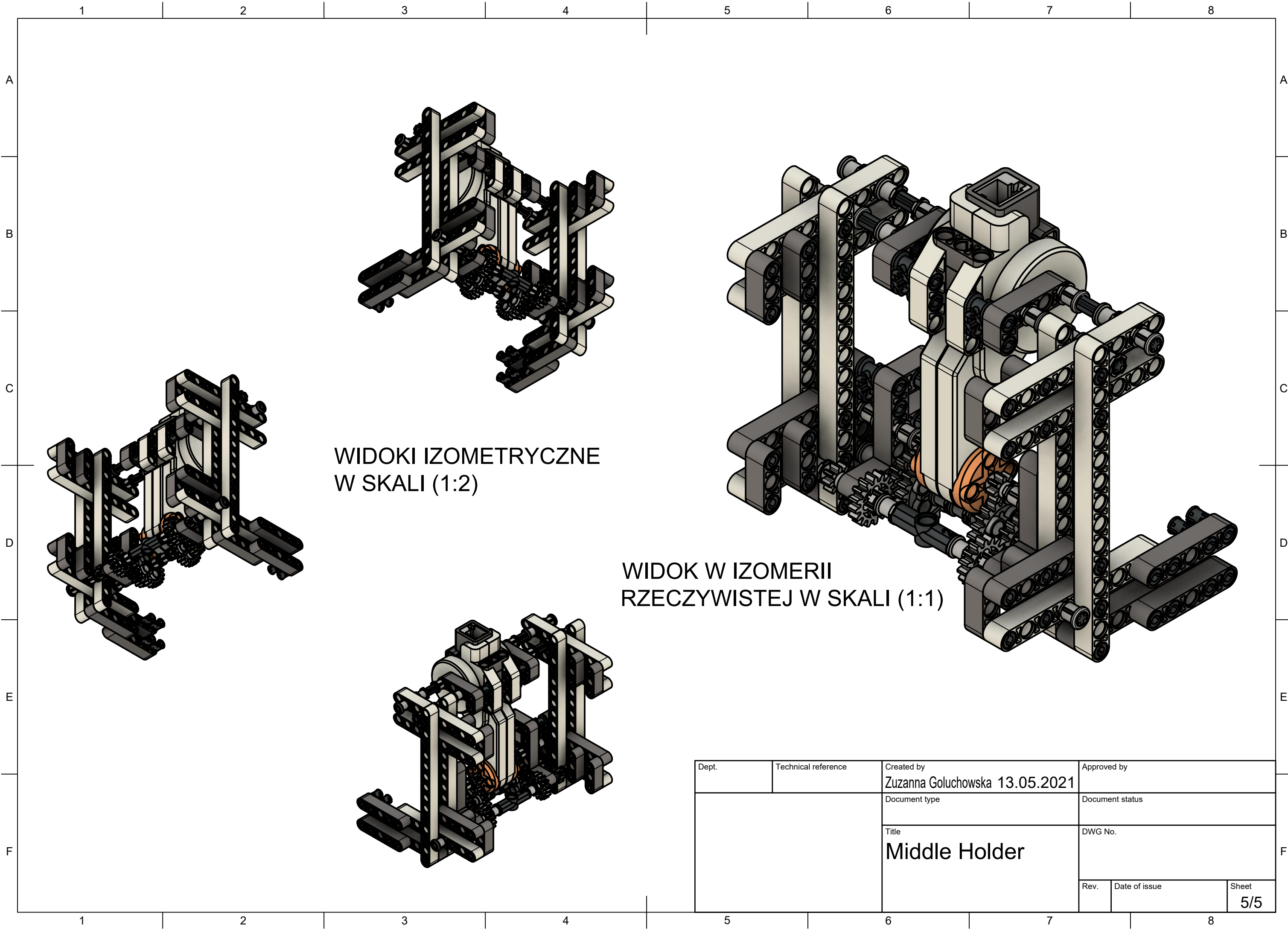
1 2 3 4 5 6 7 8



WIDOKI IZOMETRYCZNE
W SKALI (1:2)

WIDOK W IZOMERII RZECZYWISTEJ
W SKALI (1:1)

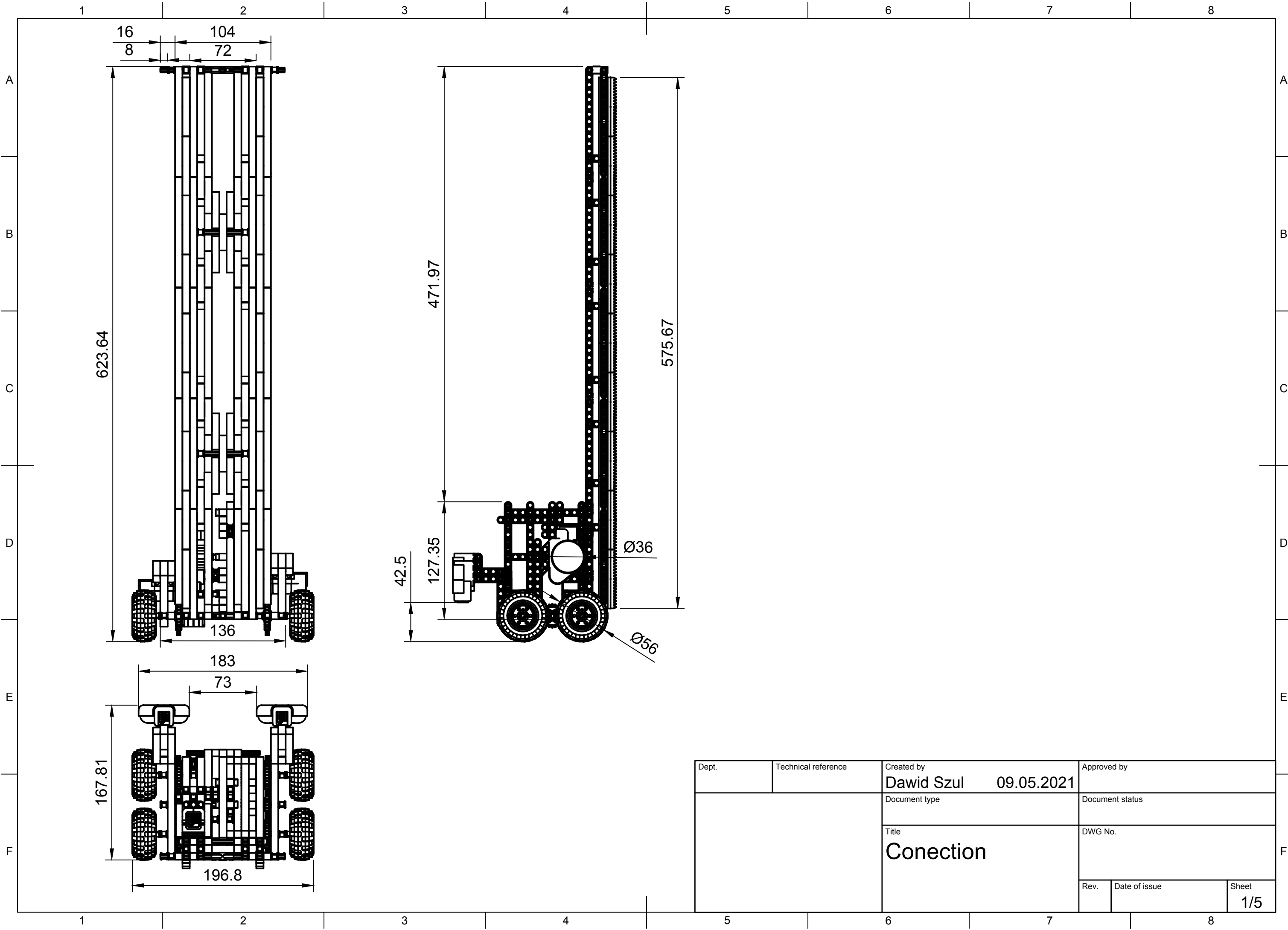
Dept.	Technical reference	Created by Zuzanna Goluchowska 13.05.2021	Approved by
		Document type	Document status
		Title Middle Holder	DWG No.
	Rev.	Date of issue	Sheet 4/5



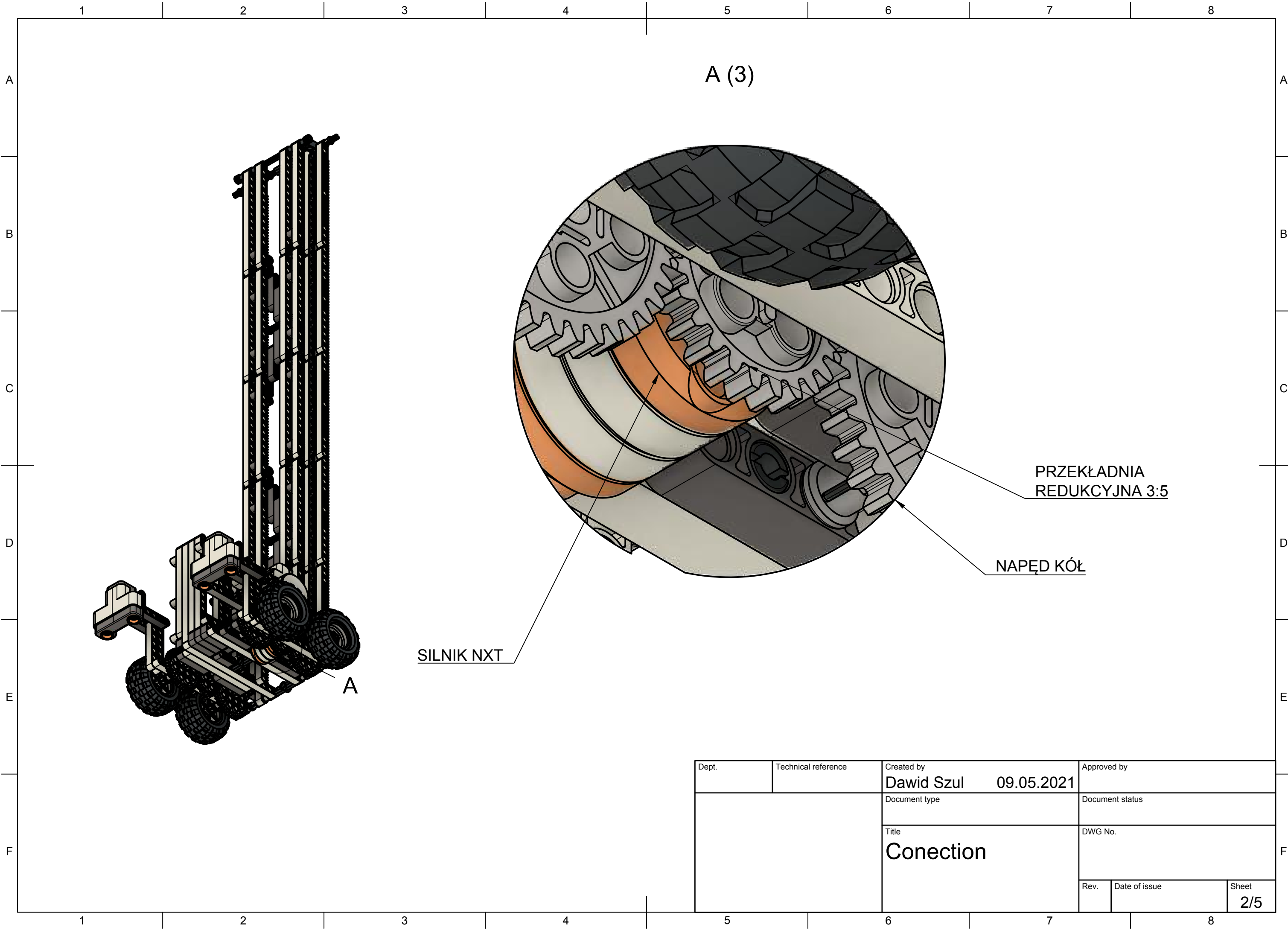
WIDOKI IZOMETRYCZNE
W SKALI (1:2)

WIDOK W IZOMERII
RZECZYWISTEJ W SKALI (1:1)

Dept.	Technical reference	Created by Zuzanna Goluchowska 13.05.2021	Approved by	
		Document type	Document status	
		Title Middle Holder	DWG No.	
		Rev.	Date of issue	Sheet 5/5



Dept.	Technical reference	Created by Dawid Szul	09.05.2021	Approved by
		Document type	Document status	
		Title Conection	DWG No.	
Rev.	Date of issue	Sheet		1/5



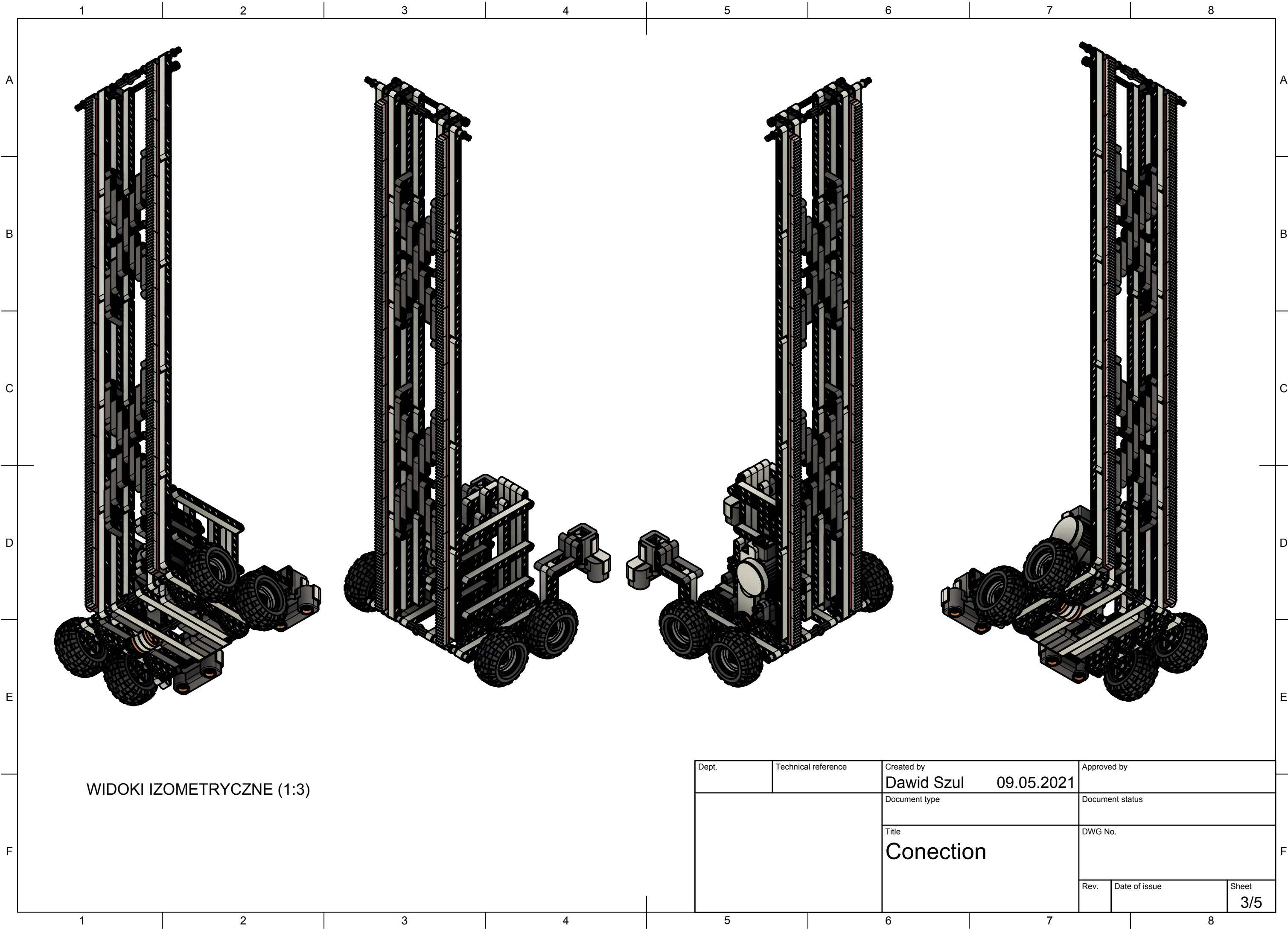
A (3)

SILNIK NXT

PRZEKŁADNIA
REDUKCYJNA 3:5

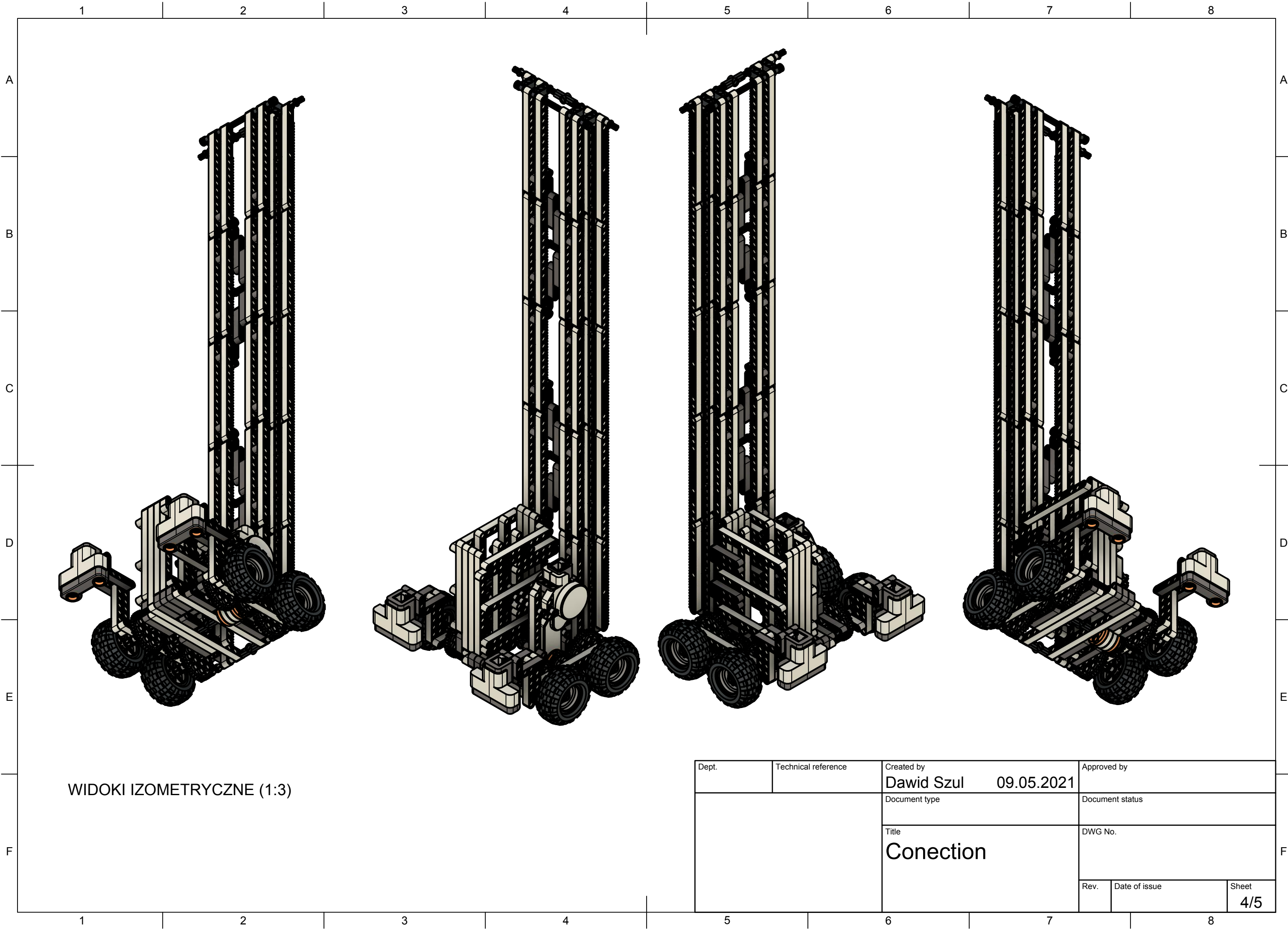
NAPĘD KÓŁ

Dept.	Technical reference	Created by Dawid Szul	09.05.2021	Approved by
		Document type	Document status	
		Title Conection	DWG No.	
Rev.	Date of issue	Sheet 2/5		



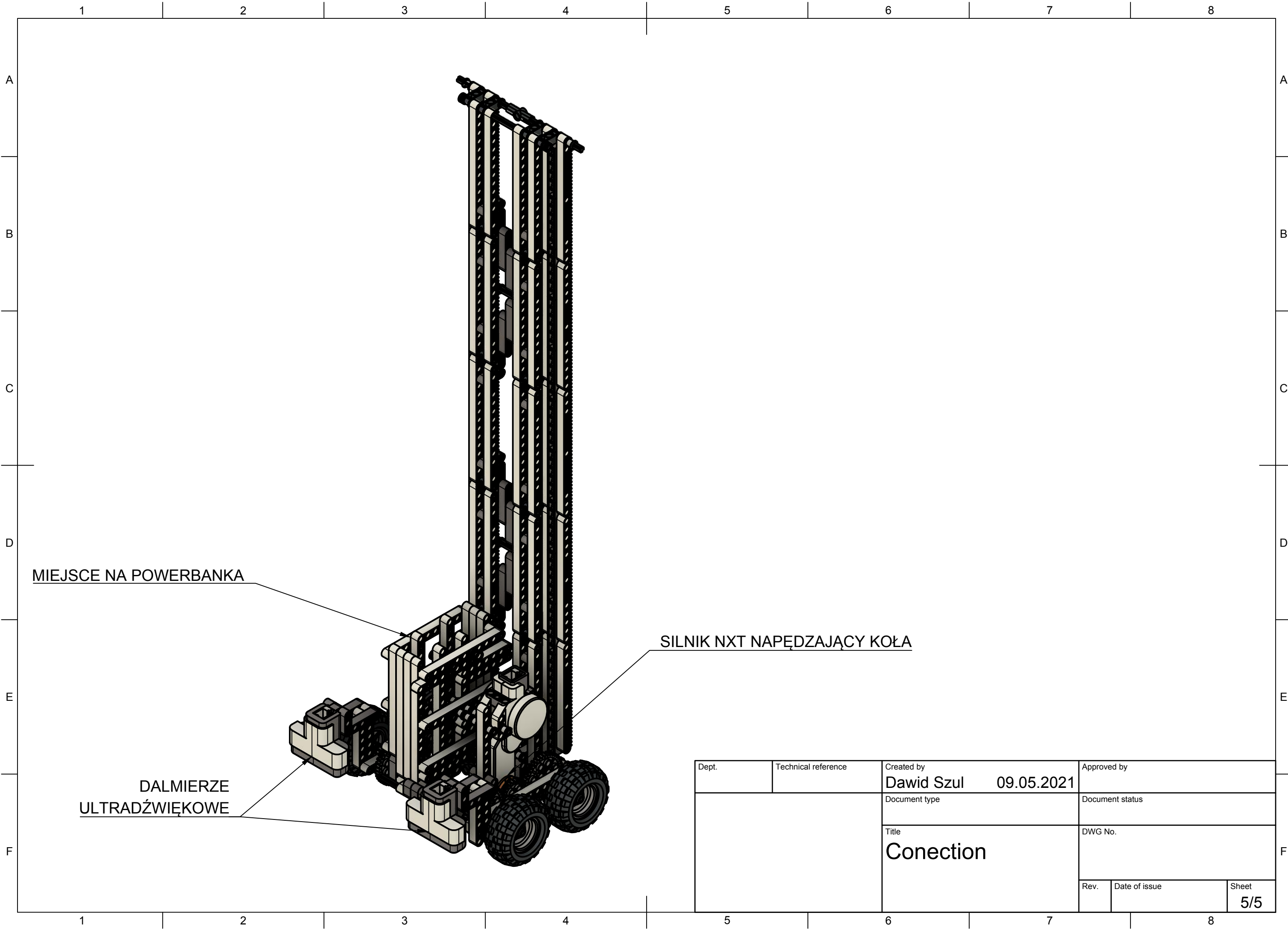
WIDOKI IZOMETRYCZNE (1:3)

Dept.	Technical reference	Created by Dawid Szul	09.05.2021	Approved by
		Document type	Document status	
		Title Conection	DWG No.	
Rev.	Date of issue	Sheet		3/5



WIDOKI IZOMETRYCZNE (1:3)

Dept.	Technical reference	Created by Dawid Szul	09.05.2021	Approved by
		Document type	Document status	
		Title Conection	DWG No.	
		Rev.	Date of issue	Sheet 4/5

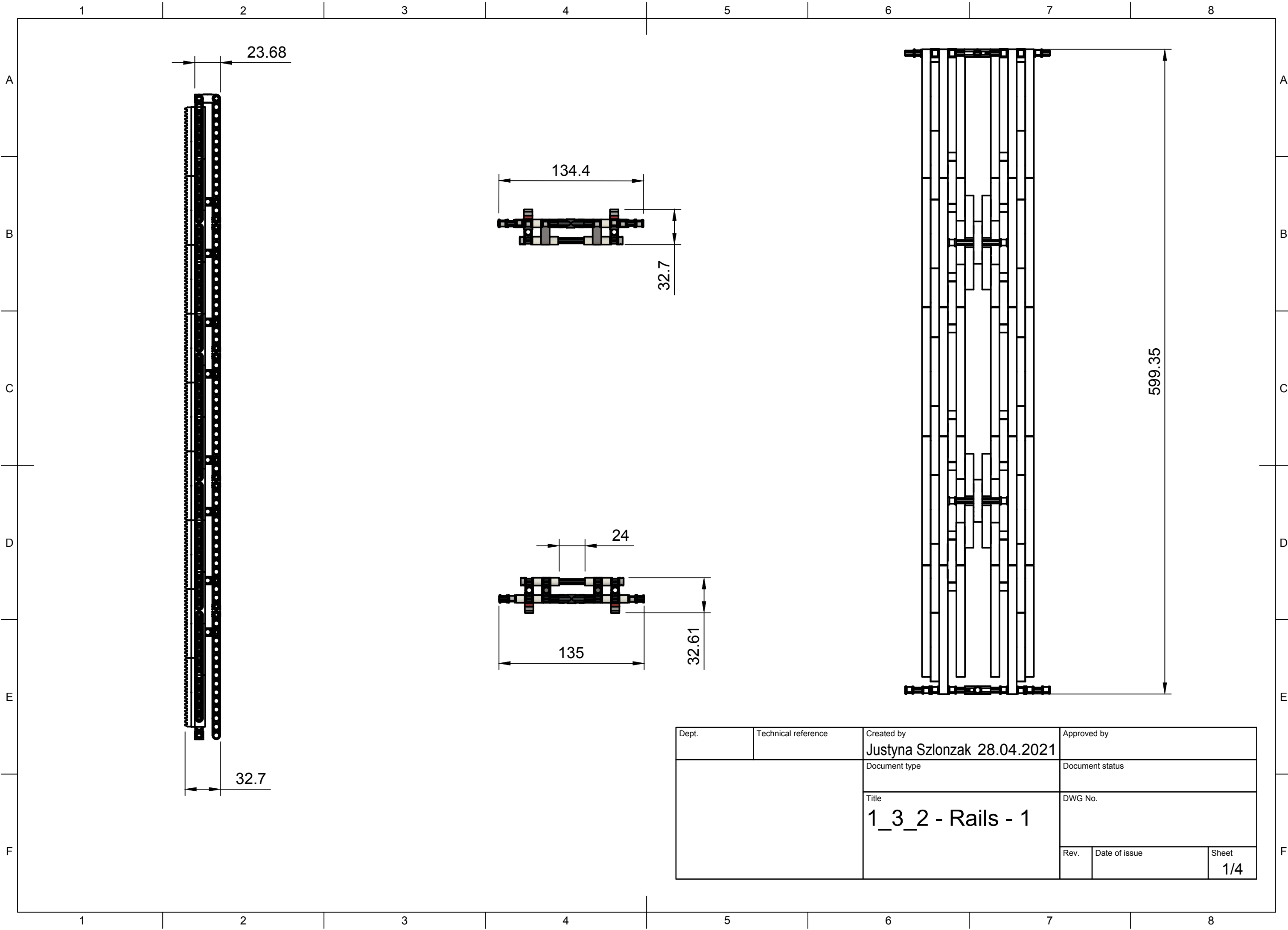


MIEJSCE NA POWERBANKA

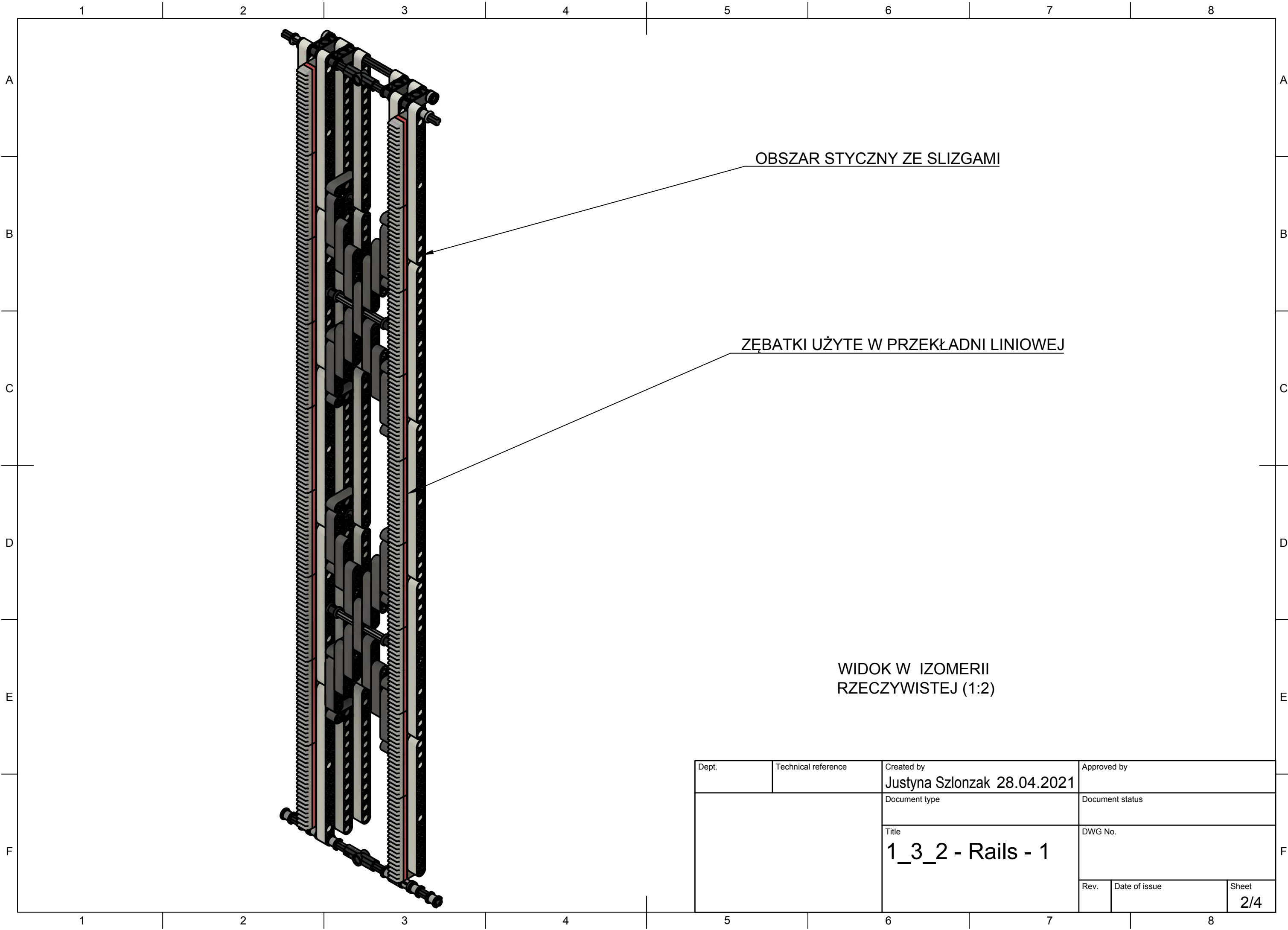
SILNIK NXT NAPĘDZAJĄCY KOŁA

DALMIERZE
ULTRADŹWIĘKOWE

Dept.	Technical reference	Created by Dawid Szul	09.05.2021	Approved by
		Document type	Document status	
		Title Conection	DWG No.	
Rev.	Date of issue	Sheet		5/5



Dept.	Technical reference	Created by Justyna Szlonzak 28.04.2021	Approved by	
		Document type	Document status	
		Title 1_3_2 - Rails - 1	DWG No.	
		Rev.	Date of issue	Sheet 1/4

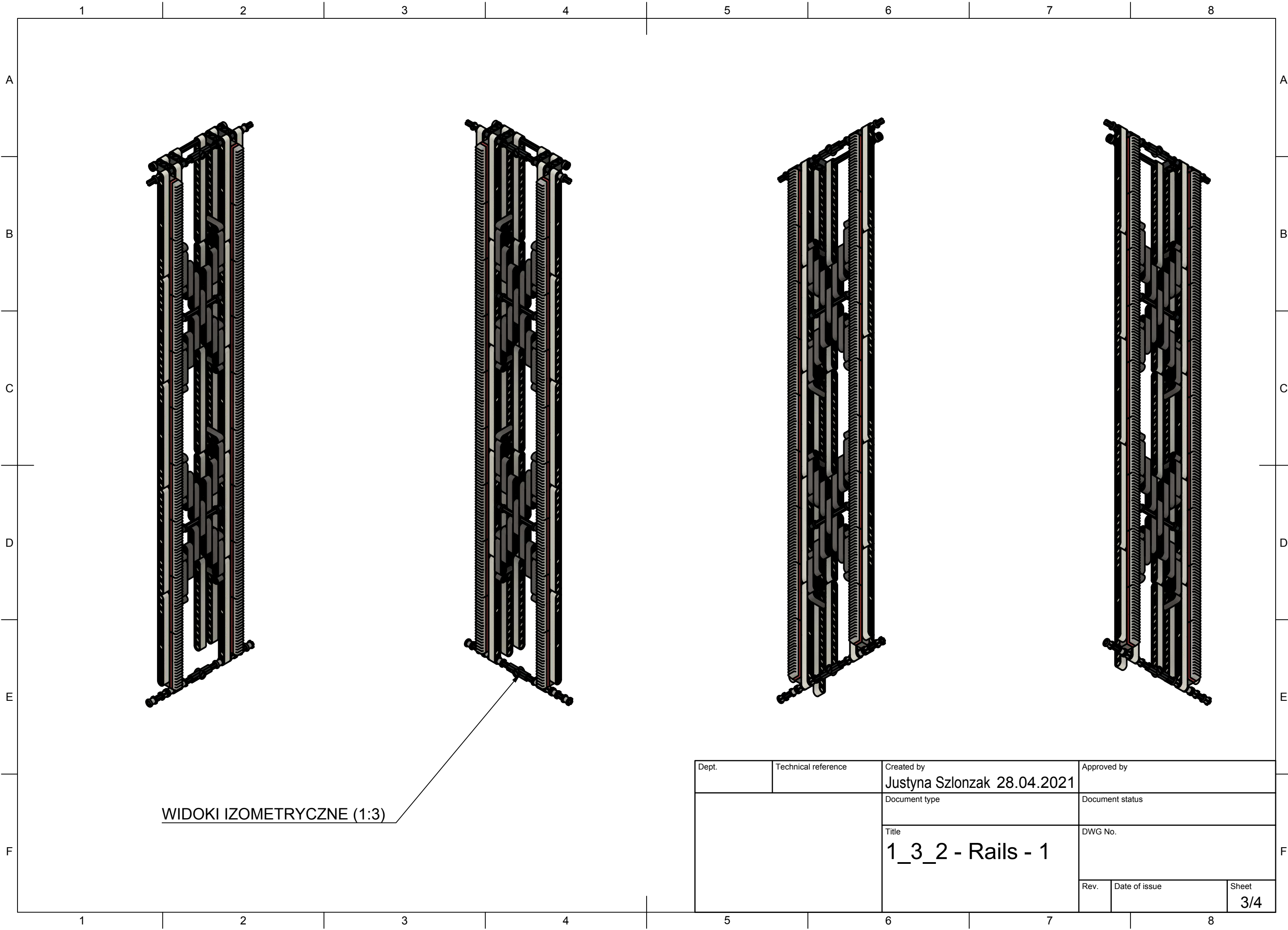


OBSZAR STYCZNY ZE SLIZGAMI

ZĘBATKI UŻYTE W PRZEKŁADNI LINIOWEJ

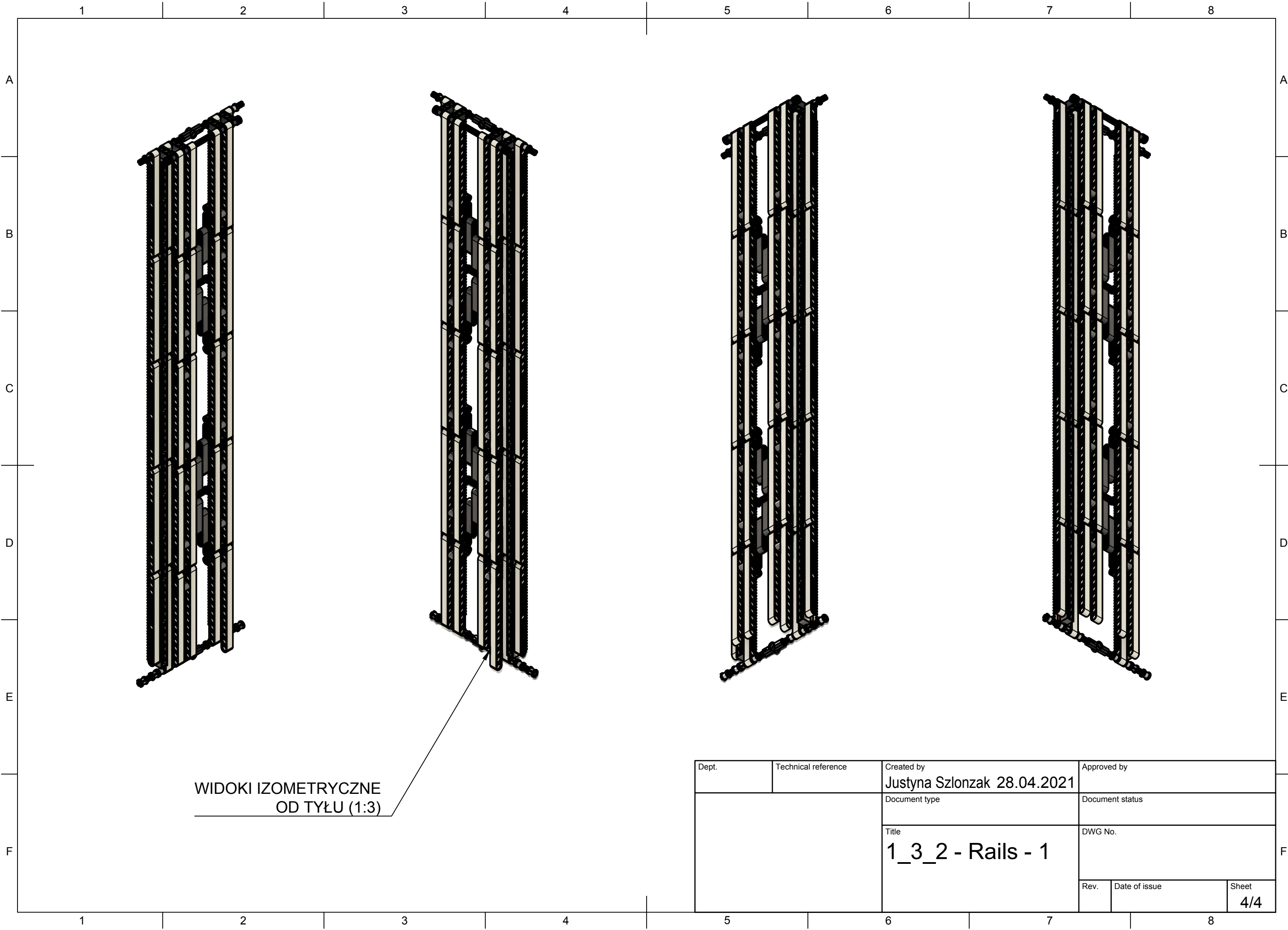
WIDOK W IZOMERII
RZECZYWISTEJ (1:2)

Dept.	Technical reference	Created by Justyna Szlonzak 28.04.2021	Approved by	
		Document type	Document status	
		Title 1_3_2 - Rails - 1	DWG No.	
		Rev.	Date of issue	Sheet 2/4



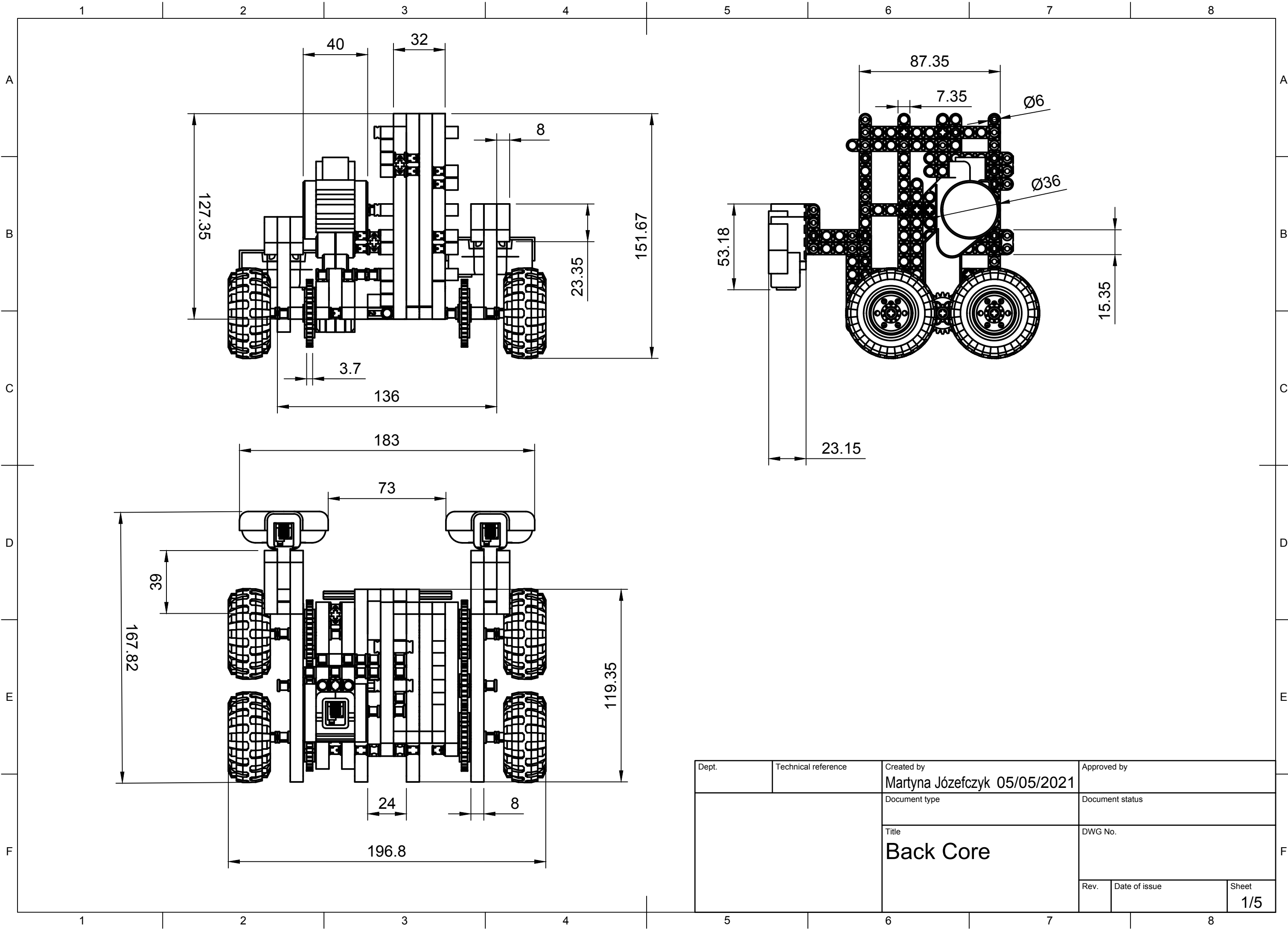
WIDOKI IZOMETRYCZNE (1:3)

Dept.	Technical reference	Created by Justyna Szlonzak 28.04.2021	Approved by
		Document type	Document status
		Title 1_3_2 - Rails - 1	DWG No.
		Rev.	Date of issue
		Sheet 3/4	

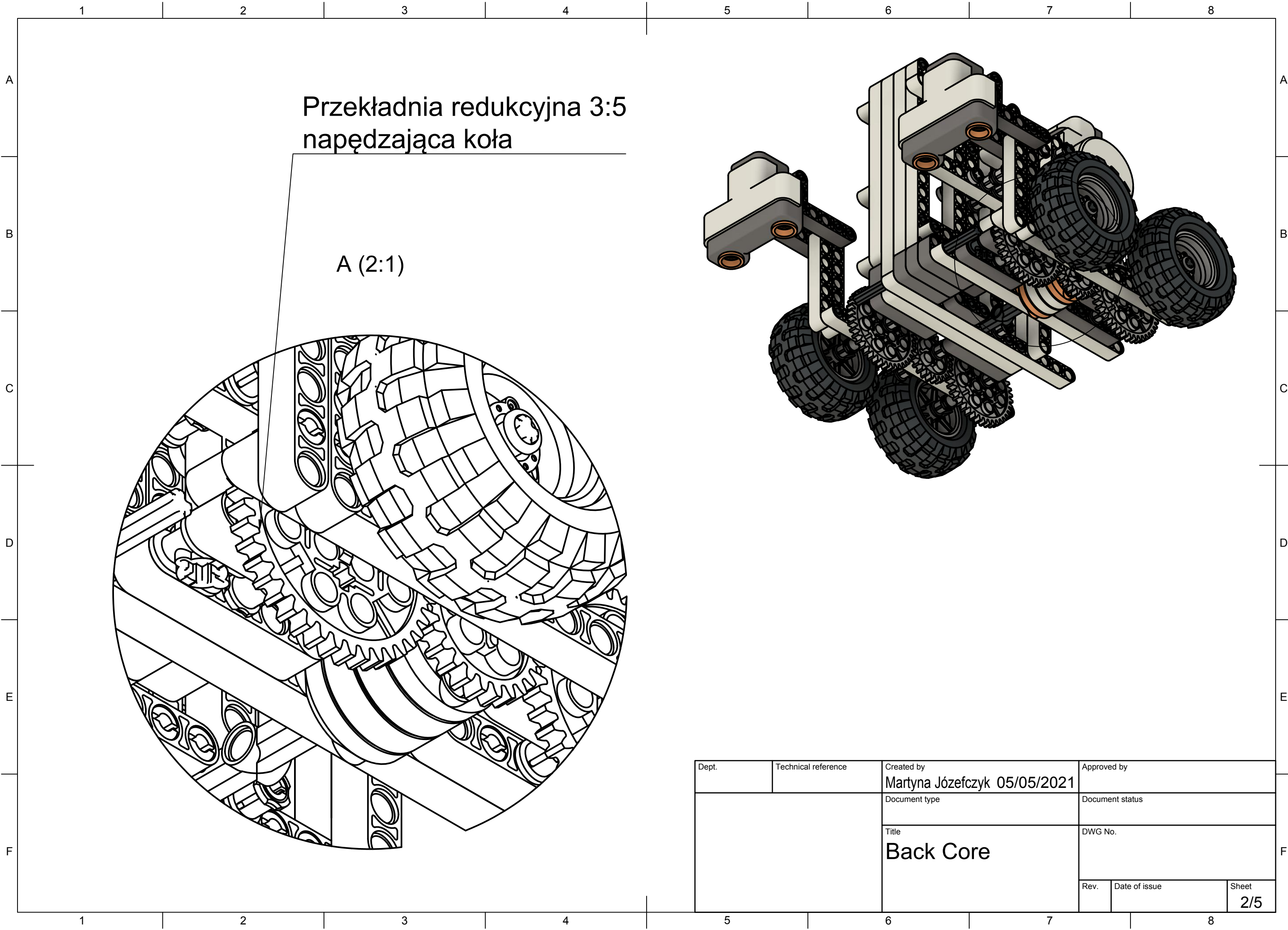


WIDOKI IZOMETRYCZNE
OD TYŁU (1:3)

Dept.	Technical reference	Created by Justyna Szlonzak 28.04.2021	Approved by	
		Document type	Document status	
		Title 1_3_2 - Rails - 1	DWG No.	
		Rev.	Date of issue	Sheet 4/4



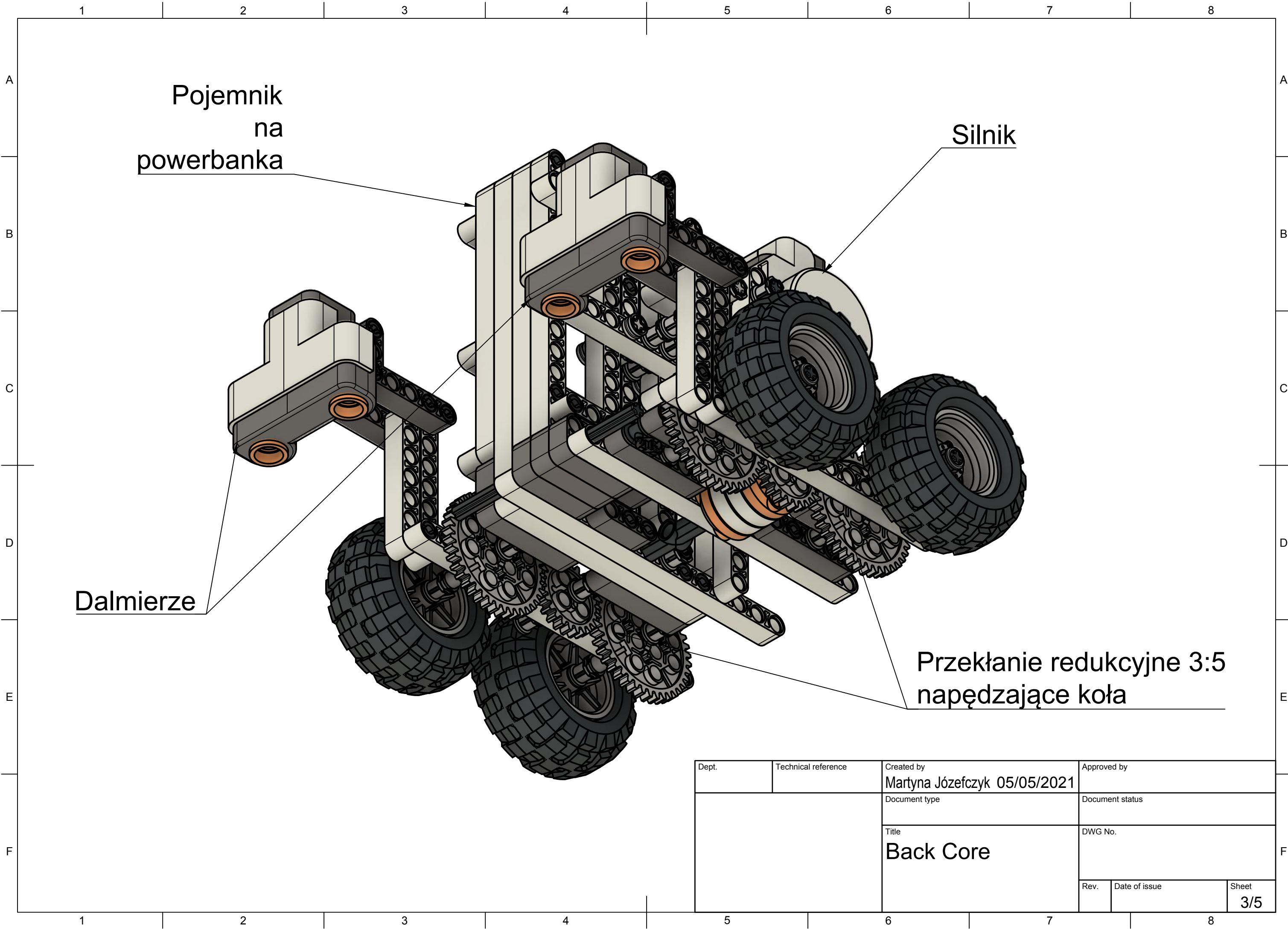
Dept.	Technical reference	Created by Martyna Józefczyk 05/05/2021	Approved by
		Document type	Document status
		Title Back Core	DWG No.
Rev.	Date of issue	Sheet 1/5	



Przekładnia redukcyjna 3:5
napędzająca koła

A (2:1)

Dept.	Technical reference	Created by Martyna Józefczyk 05/05/2021	Approved by	
		Document type	Document status	
		Title Back Core	DWG No.	
		Rev.	Date of issue	Sheet 2/5



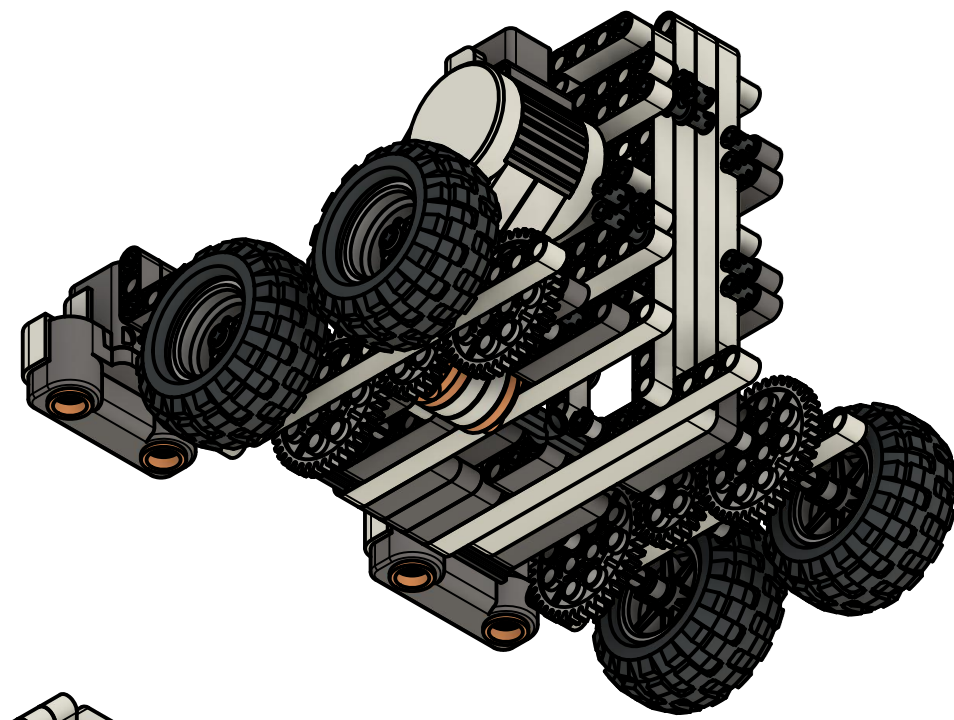
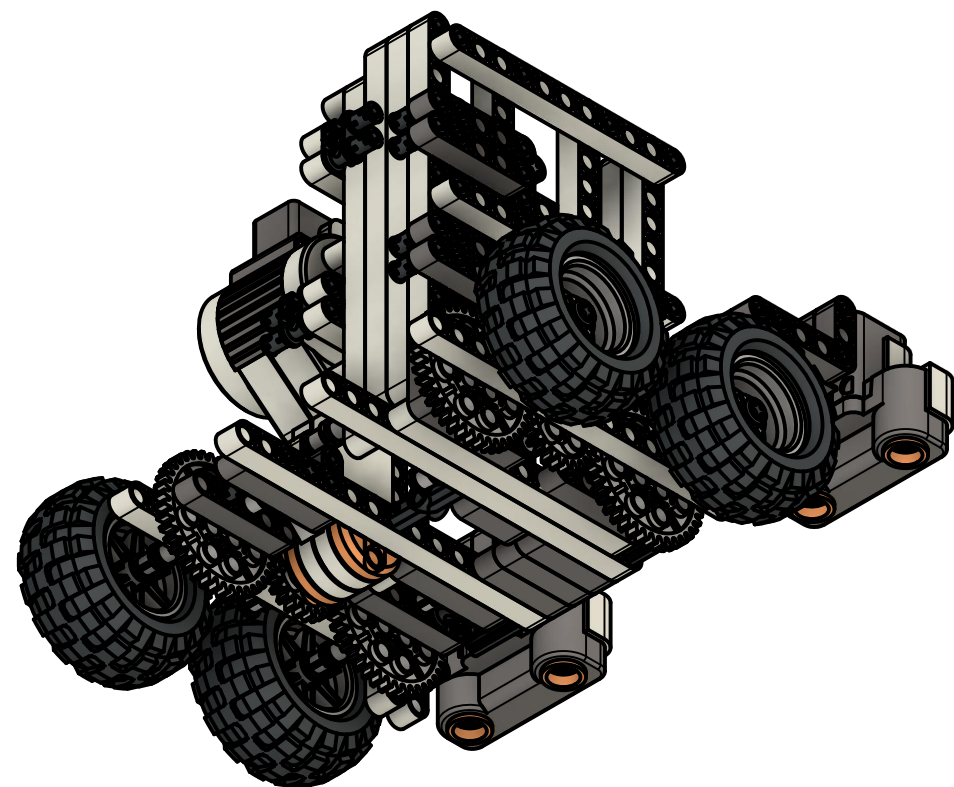
Pojemnik
na
powerbanka

Silnik

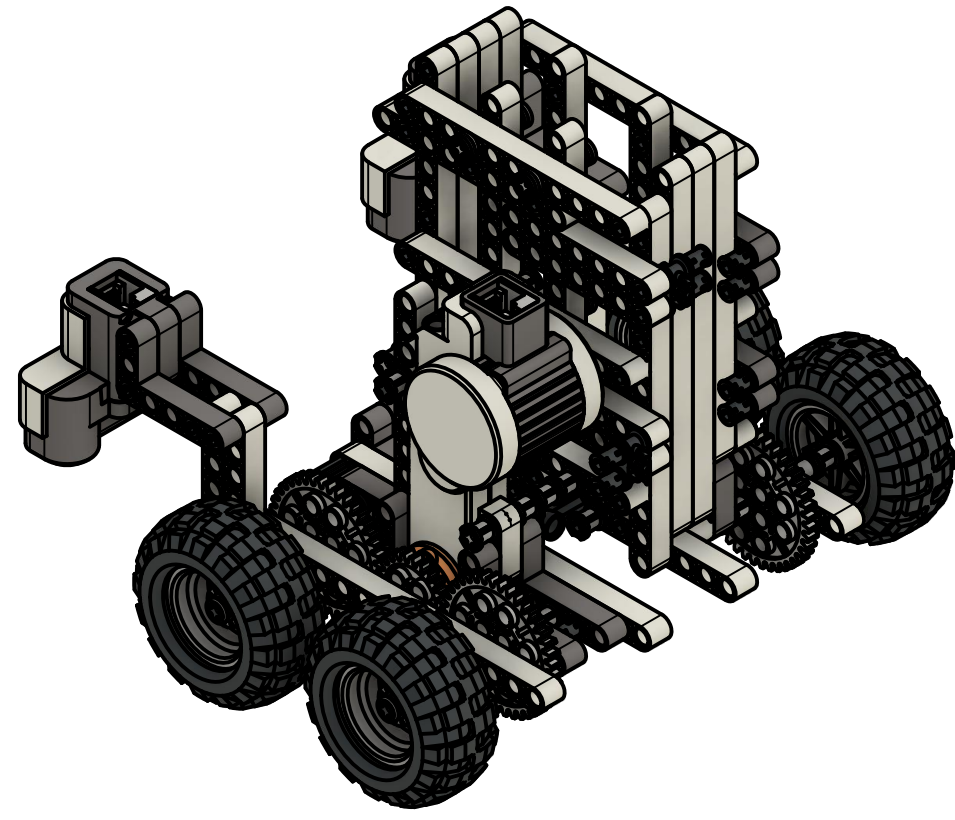
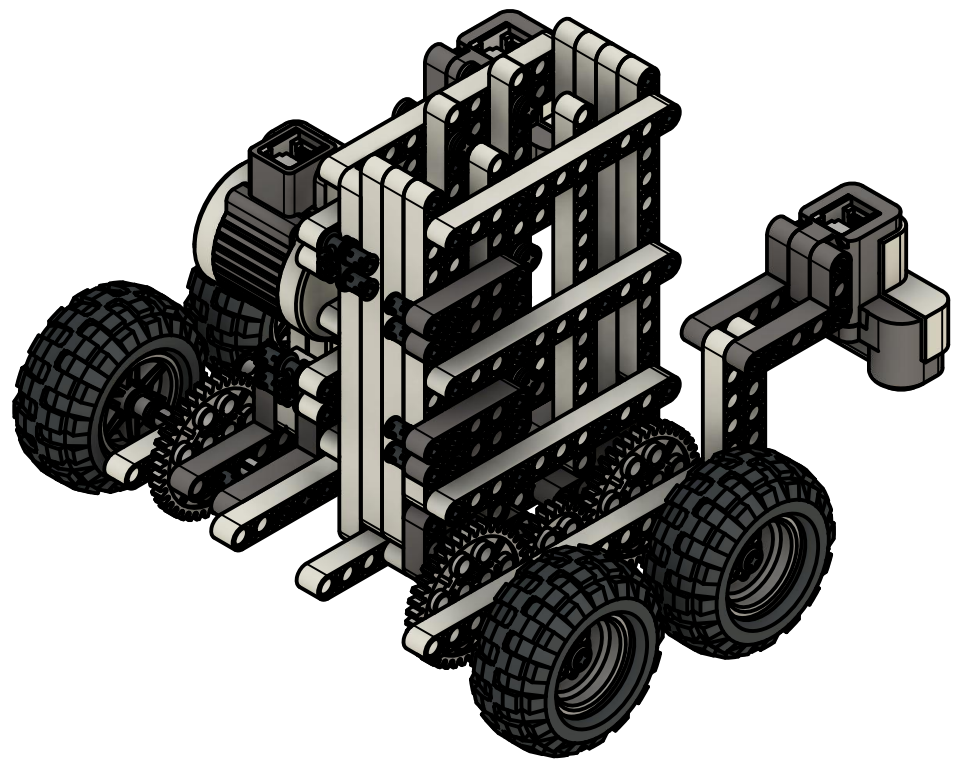
Dalmierze

Przekłanie redukcyjne 3:5
napędzające koła

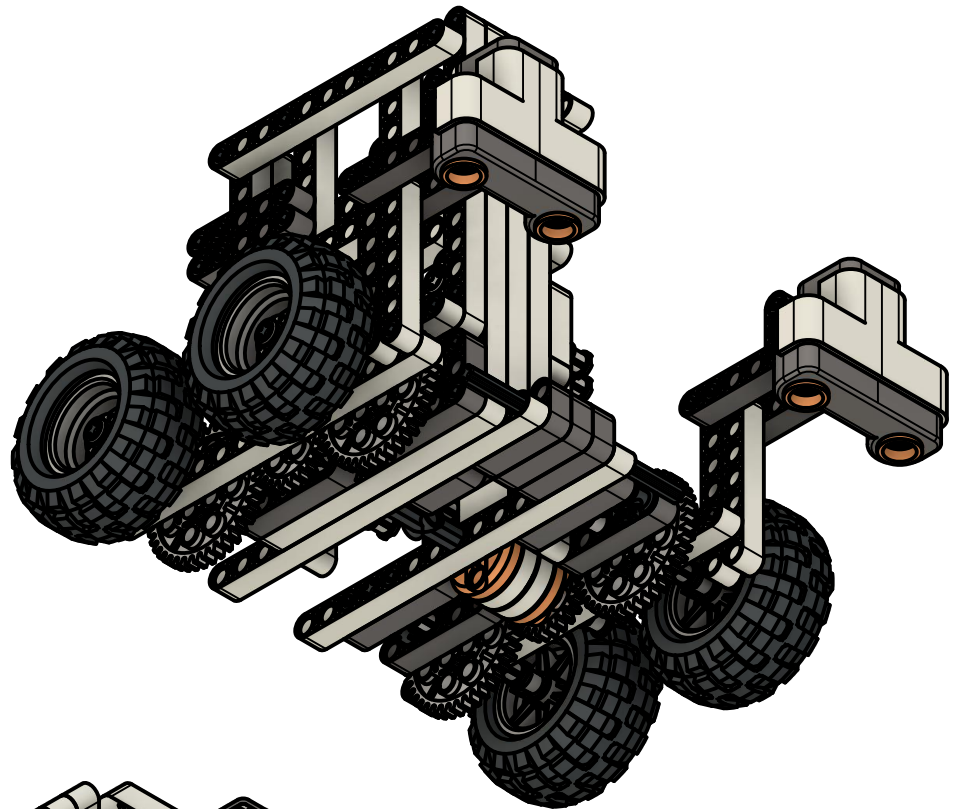
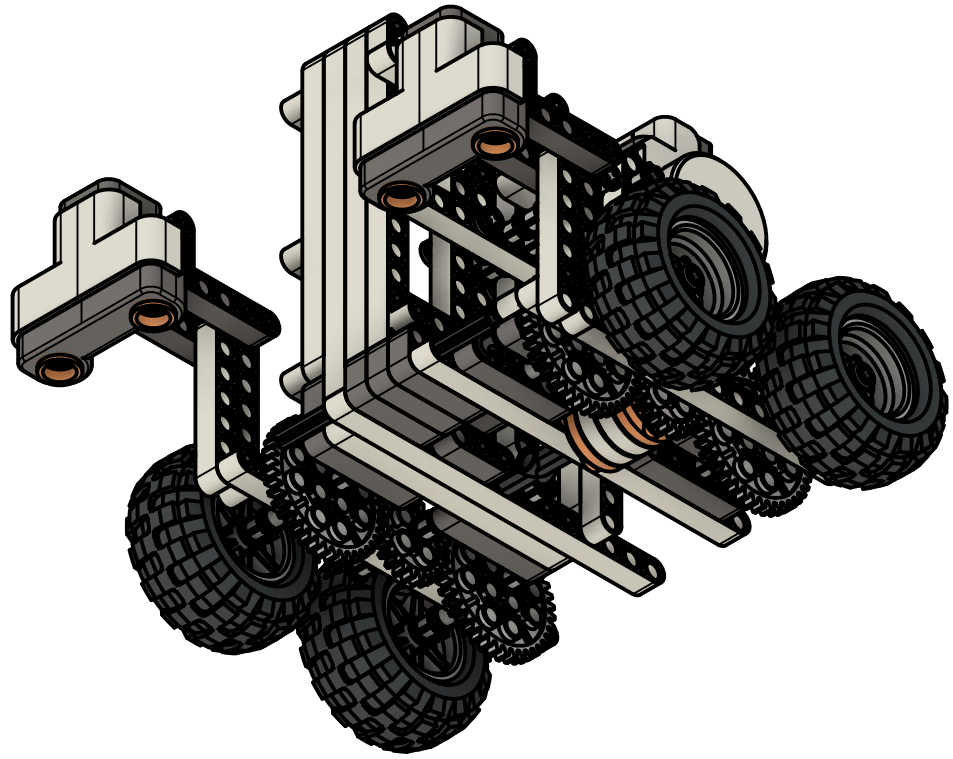
Dept.	Technical reference	Created by Martyna Józefczyk 05/05/2021	Approved by	
		Document type	Document status	
		Title Back Core	DWG No.	
		Rev.	Date of issue	Sheet 3/5



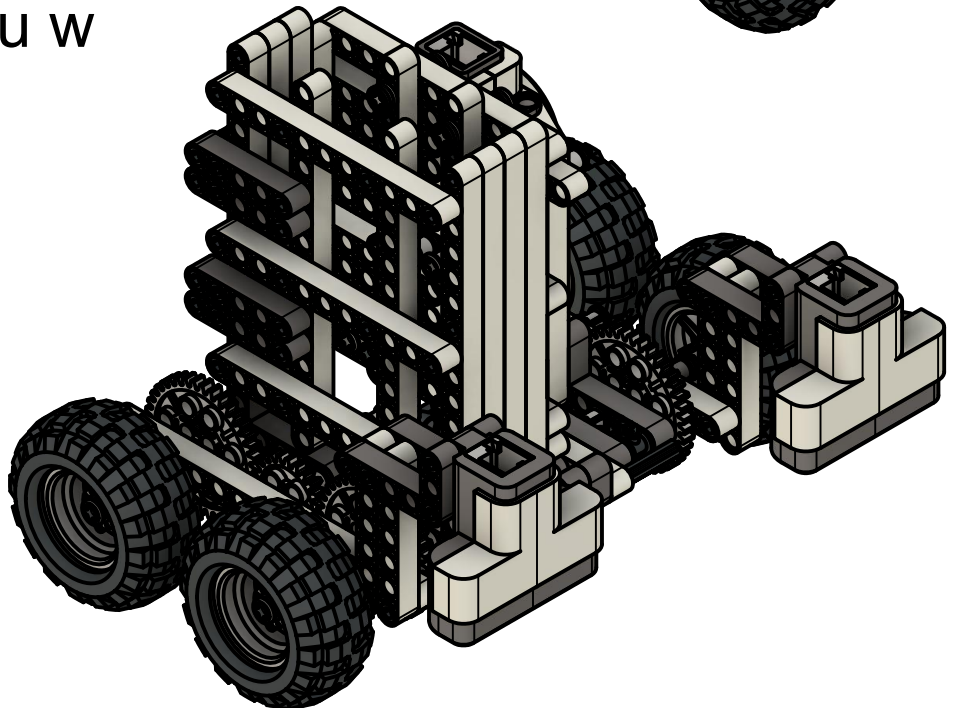
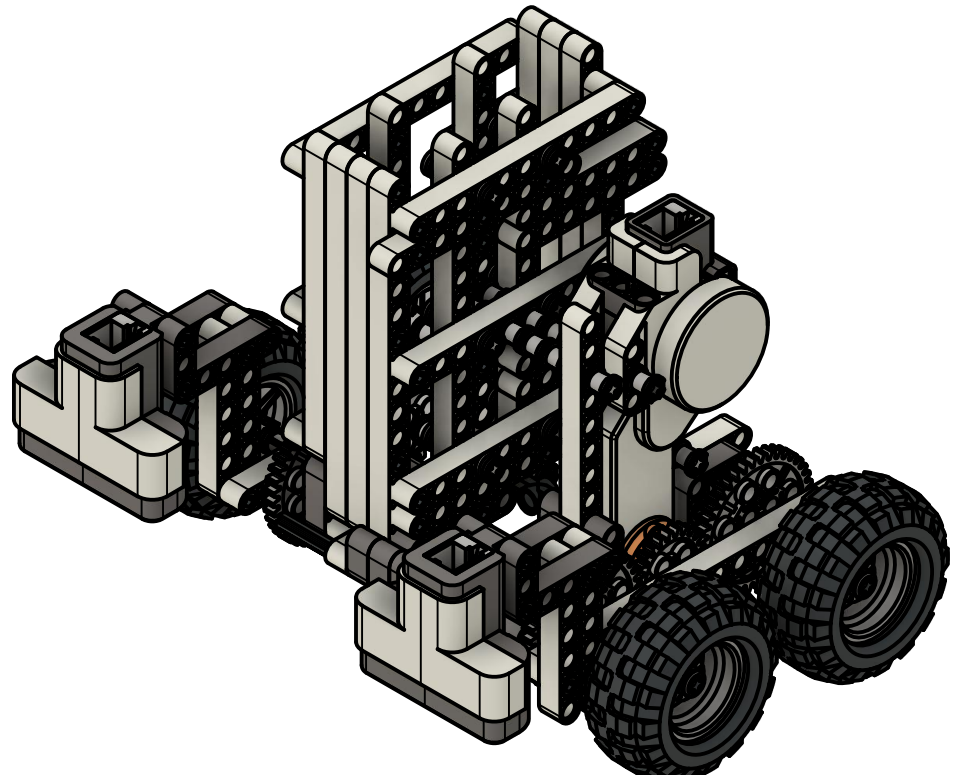
Widoki izometryczne od przodu
w skali 1:2



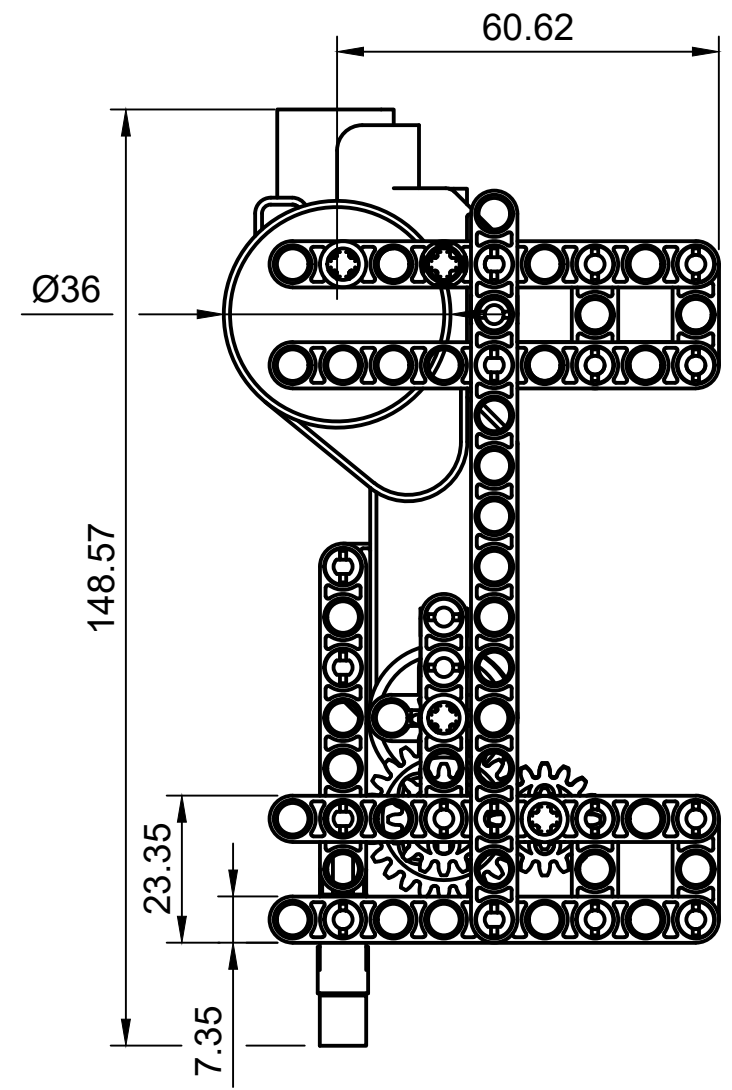
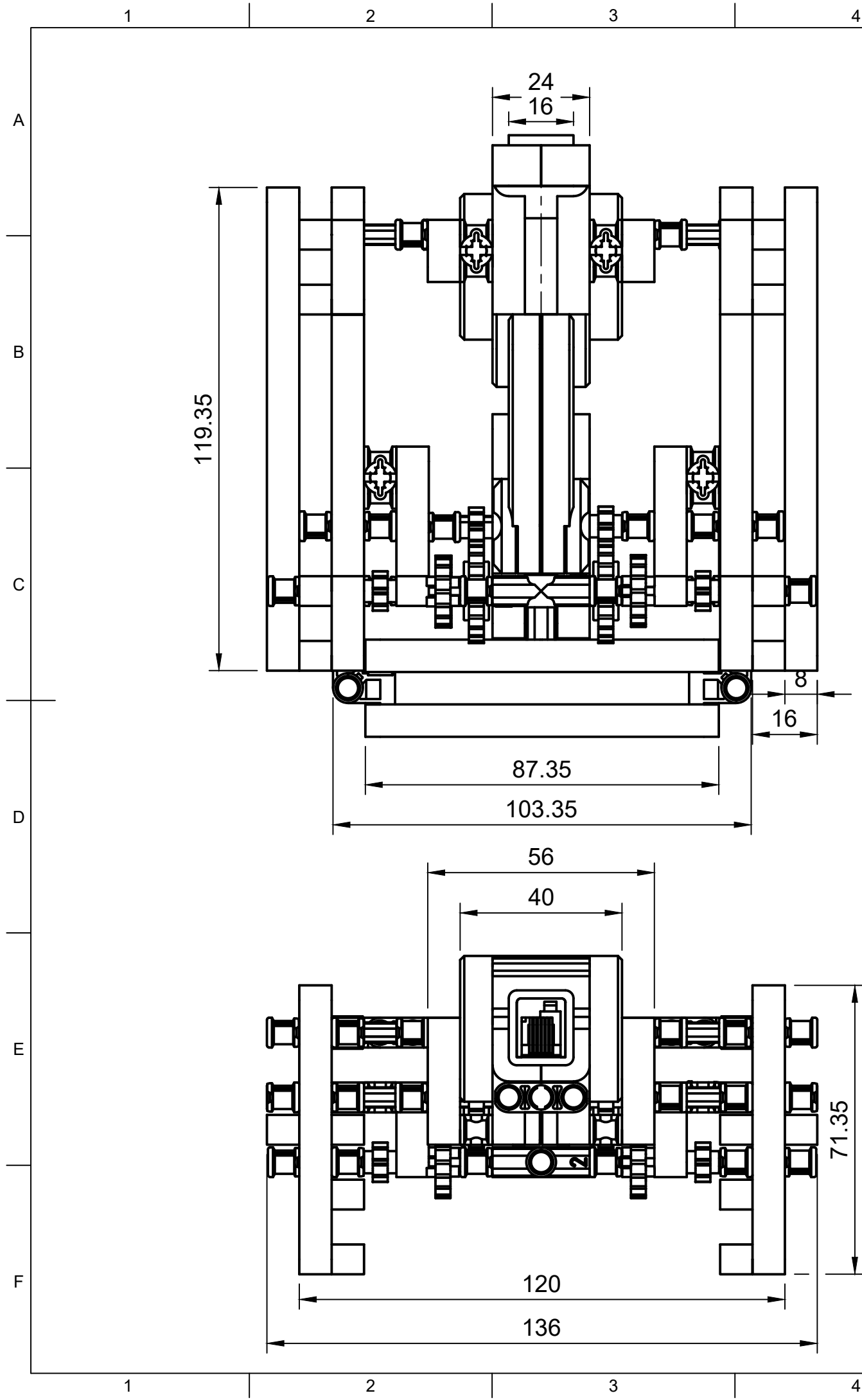
Dept.	Technical reference	Created by Martyna Józefczyk 05/05/2021	Approved by
		Document type	Document status
		Title Back Core	DWG No.
		Rev.	Date of issue
		Sheet 4/5	



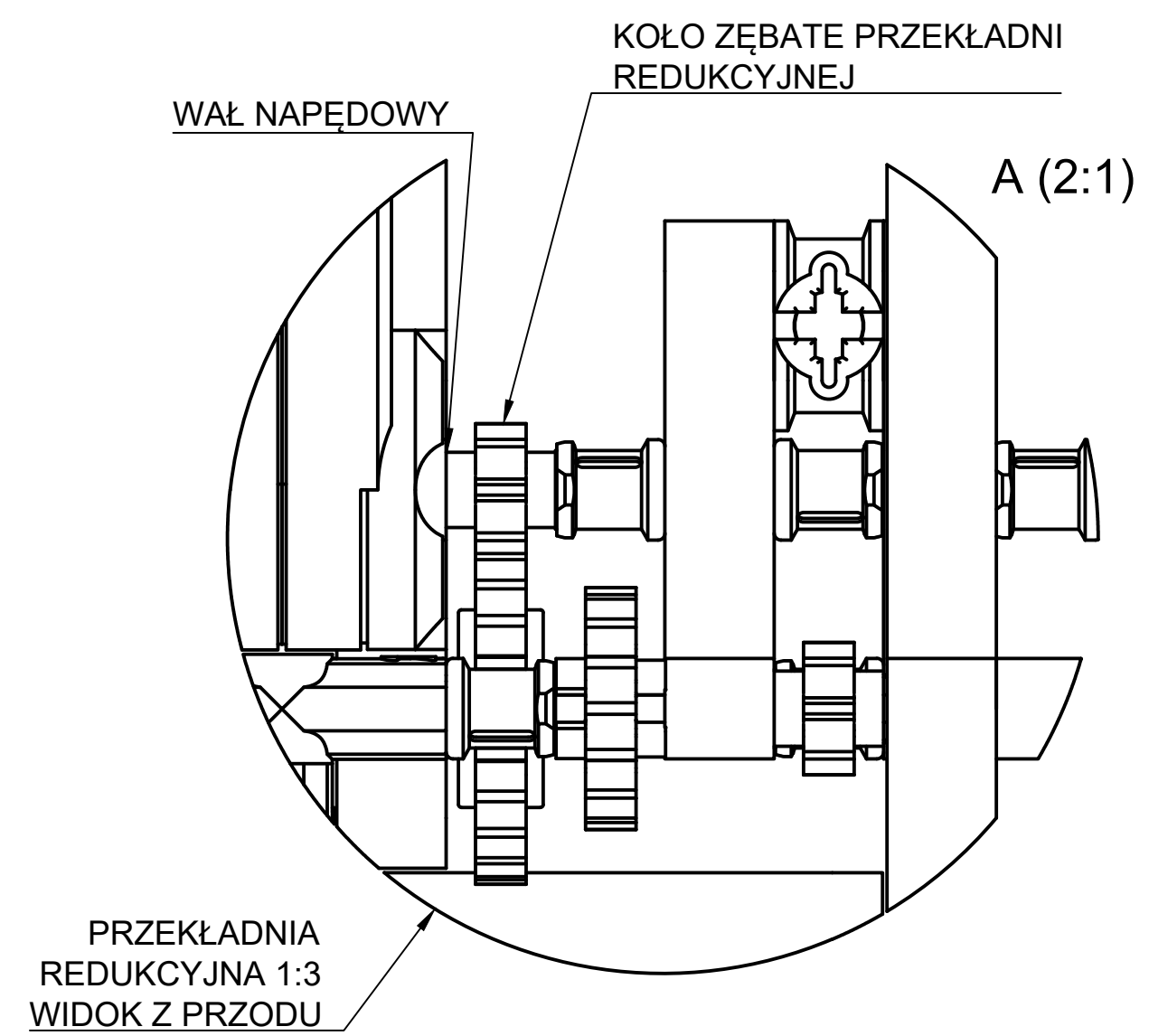
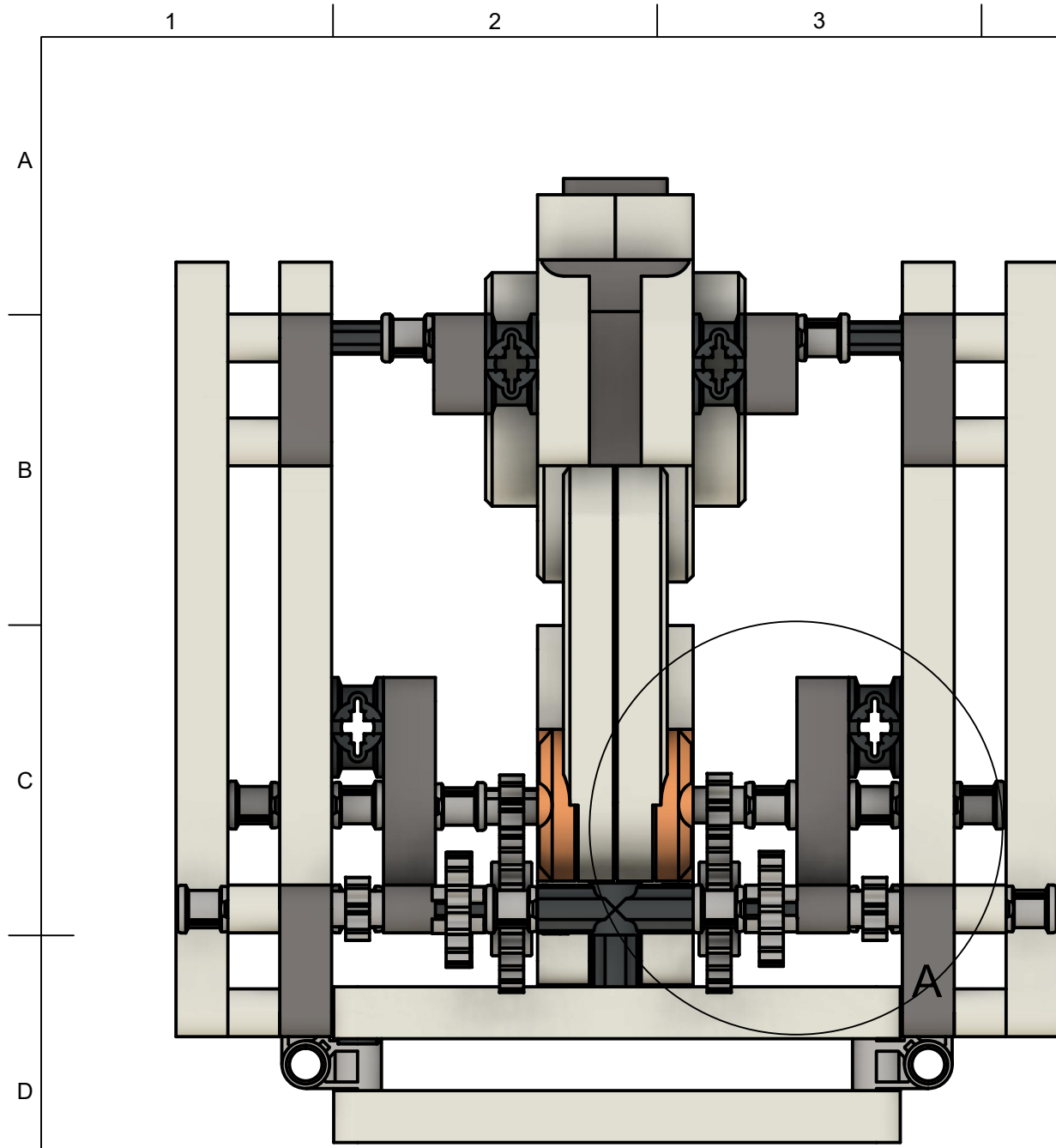
Widoki izometryczne od tyłu w skali 1:2



Dept.	Technical reference	Created by Martyna Józefczyk 05/05/2021	Approved by
		Document type	Document status
		Title Back Core	DWG No.
		Rev.	Date of issue
		Sheet 5/5	



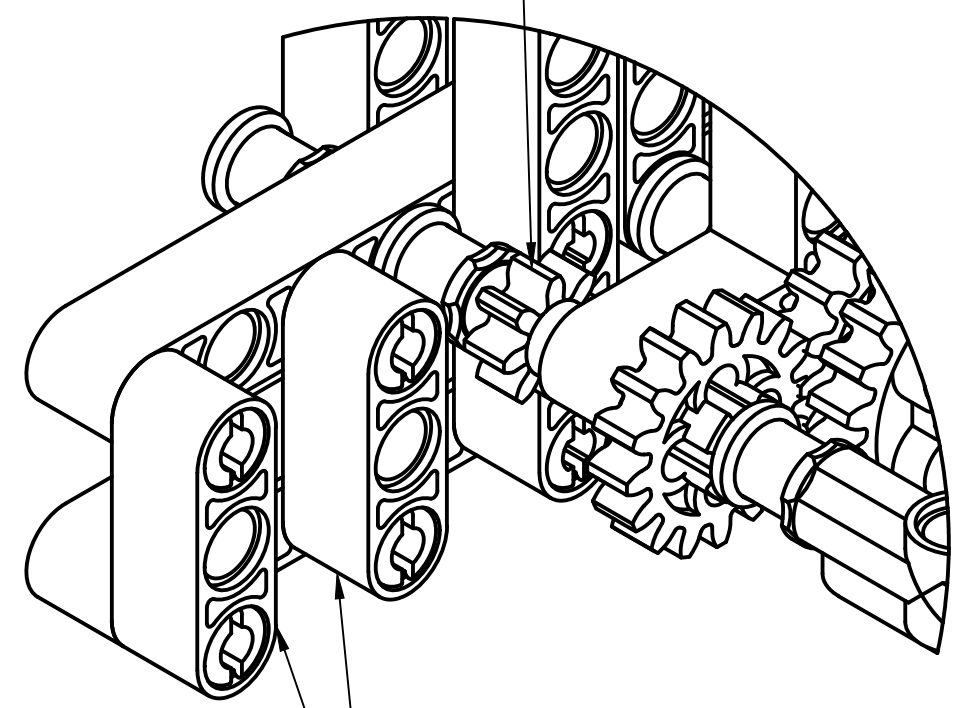
Dept. AGH IME	Technical reference <i>Robot wchodzący po schodach</i>	Created by Zuzanna Goluchowska 18.04.2021	Approved by Michał Strycharczuk 11.05.2021
		Document type Drawing	Document status COMPLETED
		Title Holder - Base Model	DWG No. 0/1
		Rev.	Date of issue 11.05.2021
			Sheet 1/5



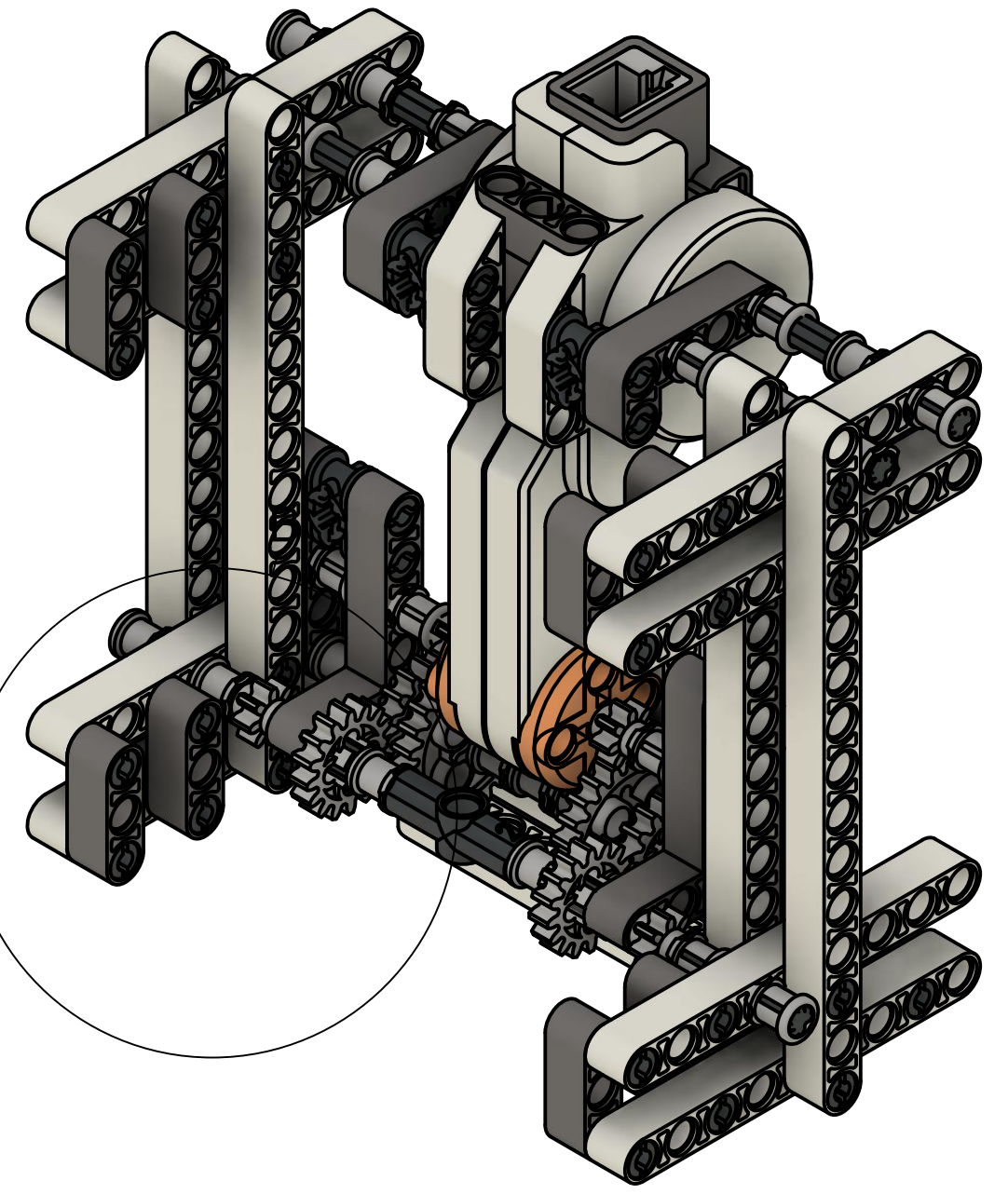
Dept.	Technical reference	Created by Zuzanna Goluchowska 18.04.2021	Approved by
		Document type	Document status
		Title Łapka - Base Model 2	DWG No.
Rev.	Date of issue	Sheet 2/5	

B (2:1)

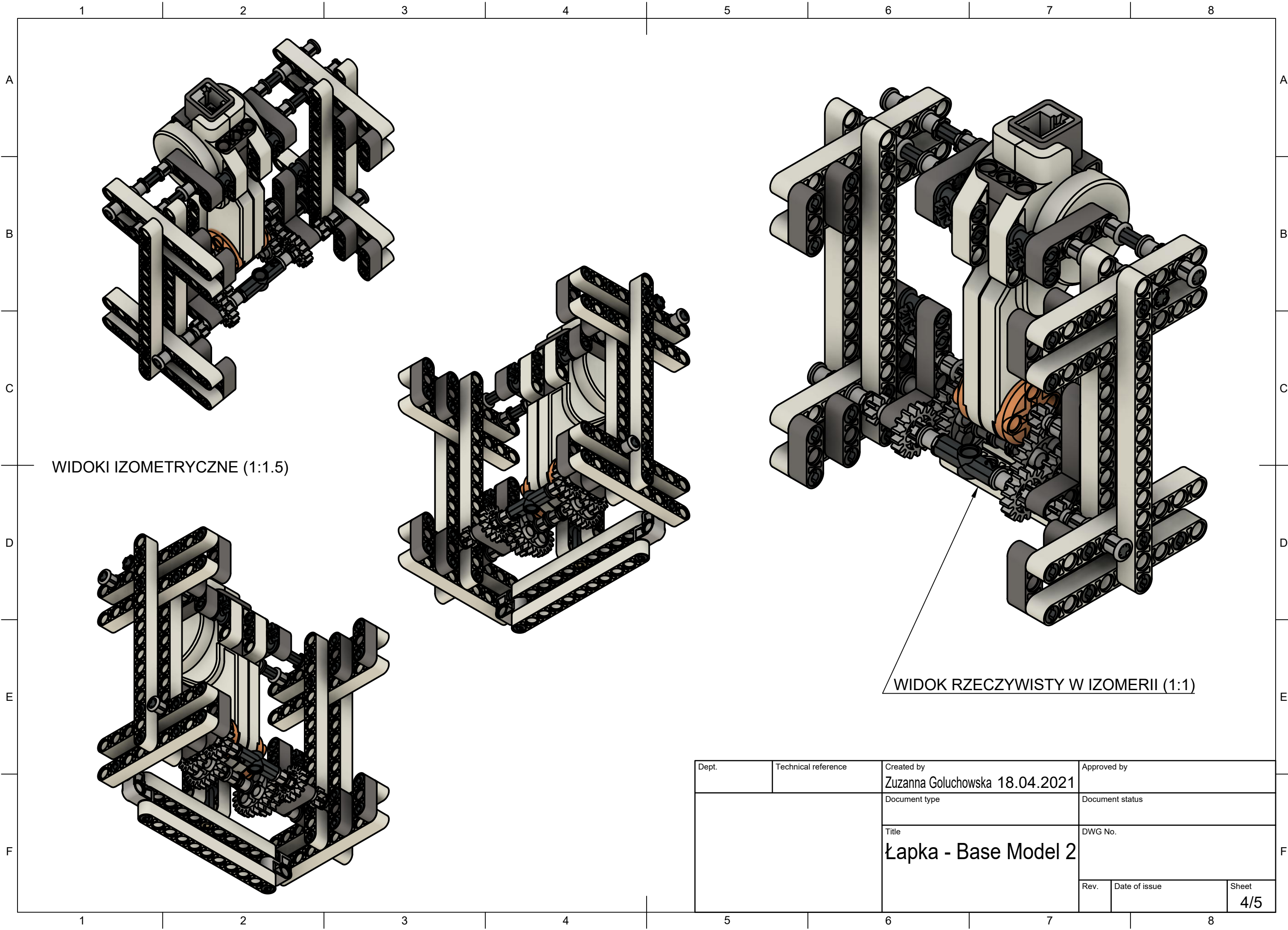
KOŁO ZĘBATE UŻYTE W PRZEKŁADNI LINIOWEJ



ŚLIZGI - OBSZAR STYCZNY Z SZKIELETEM



Dept.	Technical reference	Created by Zuzanna Goluchowska 18.04.2021	Approved by
		Document type	Document status
		Title Łapka - Base Model 2	DWG No.
		Rev.	Date of issue
		Sheet 3/5	



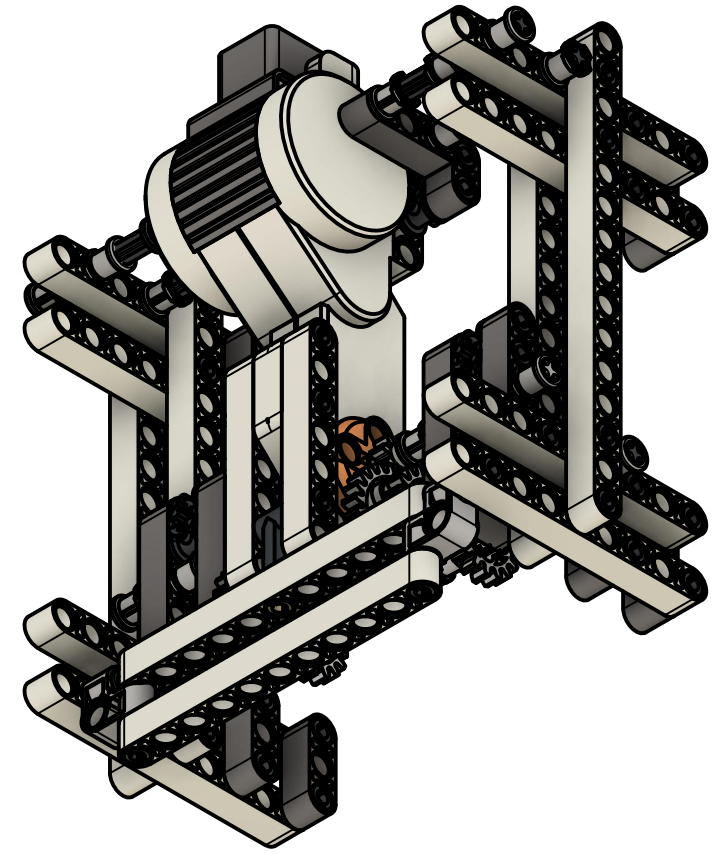
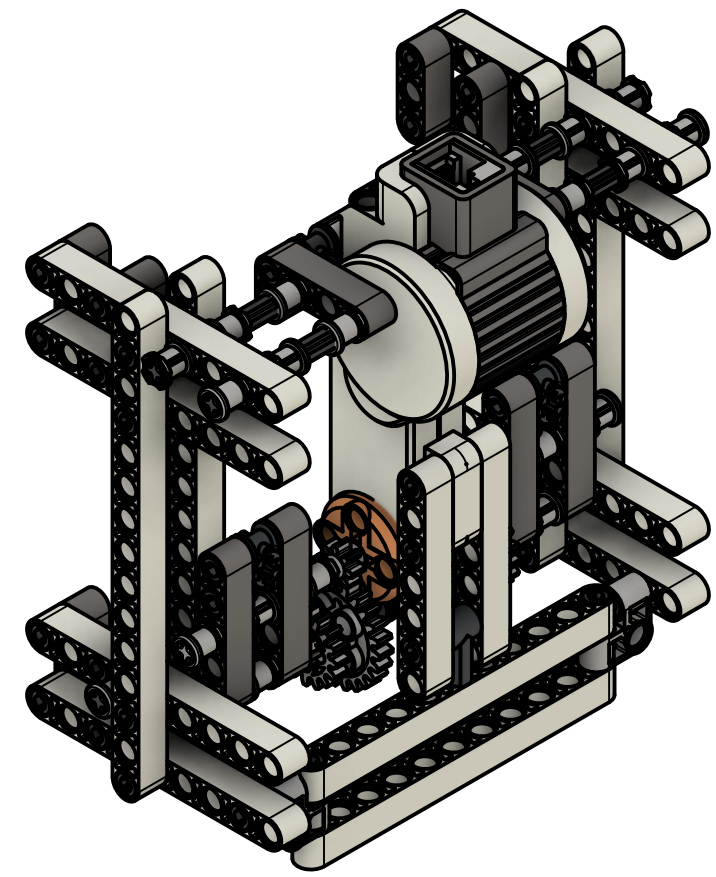
WIDOKI IZOMETRYCZNE (1:1.5)

WIDOK RZECZYWISTY W IZOMERII (1:1)

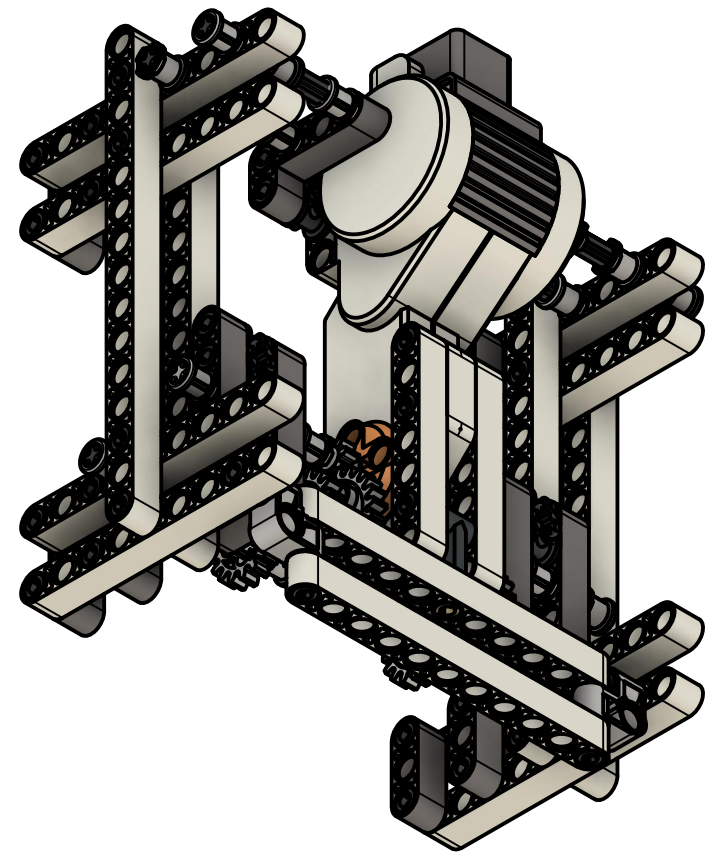
Dept.	Technical reference	Created by Zuzanna Goluchowska 18.04.2021	Approved by
		Document type	Document status
		Title Łapka - Base Model 2	DWG No.
	Rev.	Date of issue	Sheet 4/5

1 2 3 4 5 6 7 8

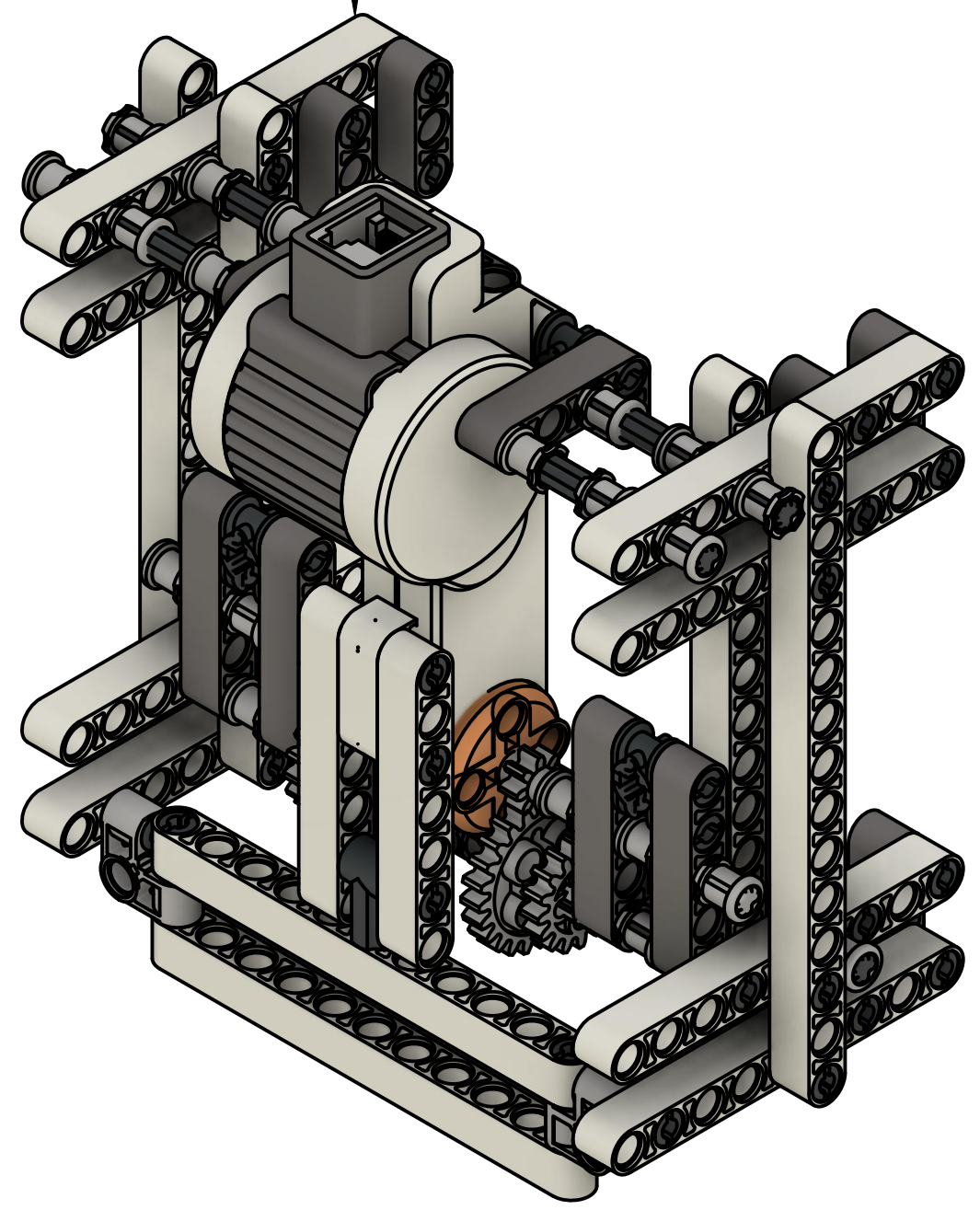
A
B
C
D
E
F



WIDOKI IZOMETRYCZNE (1:1.5)



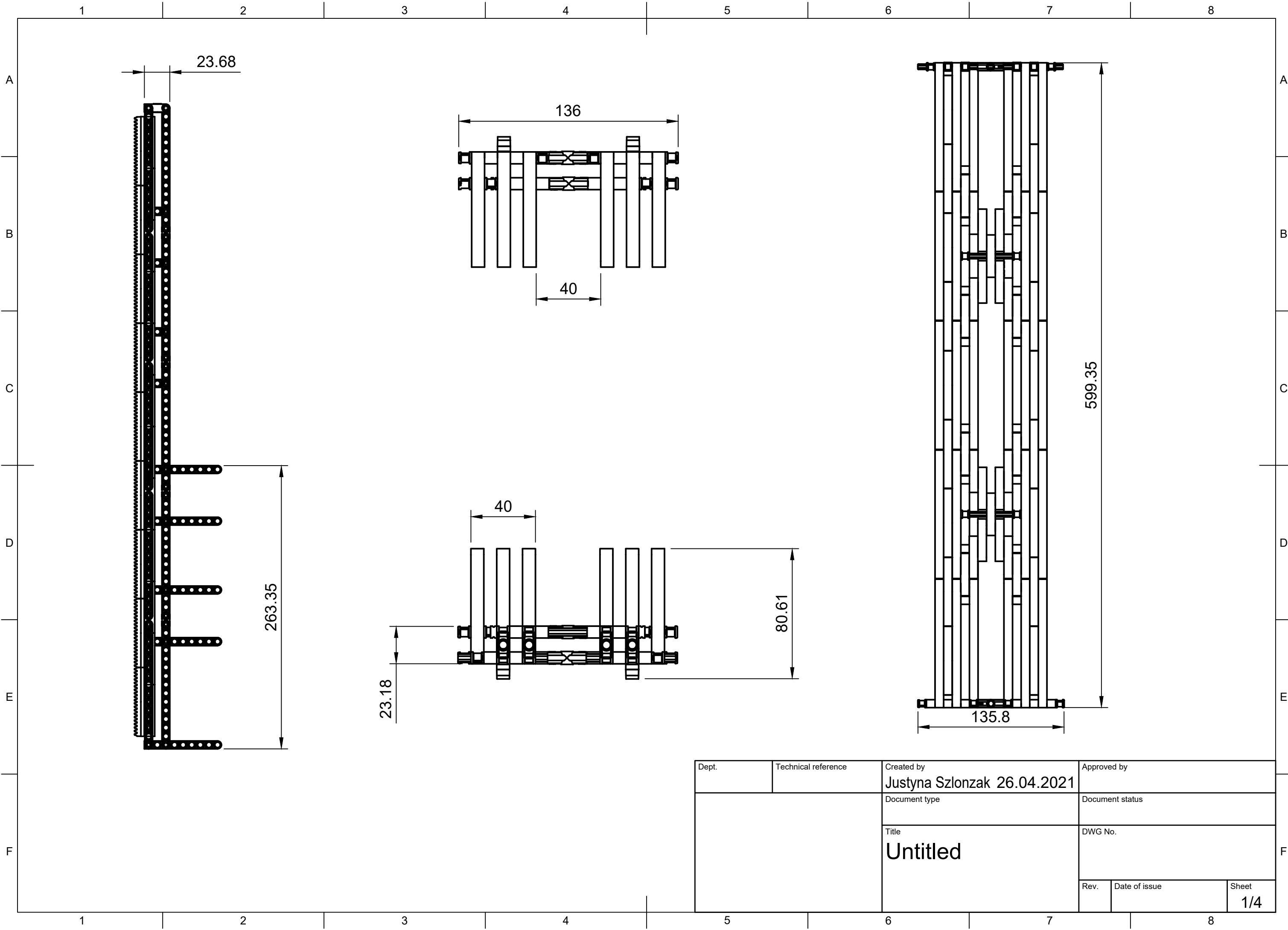
WIDOK W IZOMERII RZECZYWISTEJ (1:1)
OD DOŁU



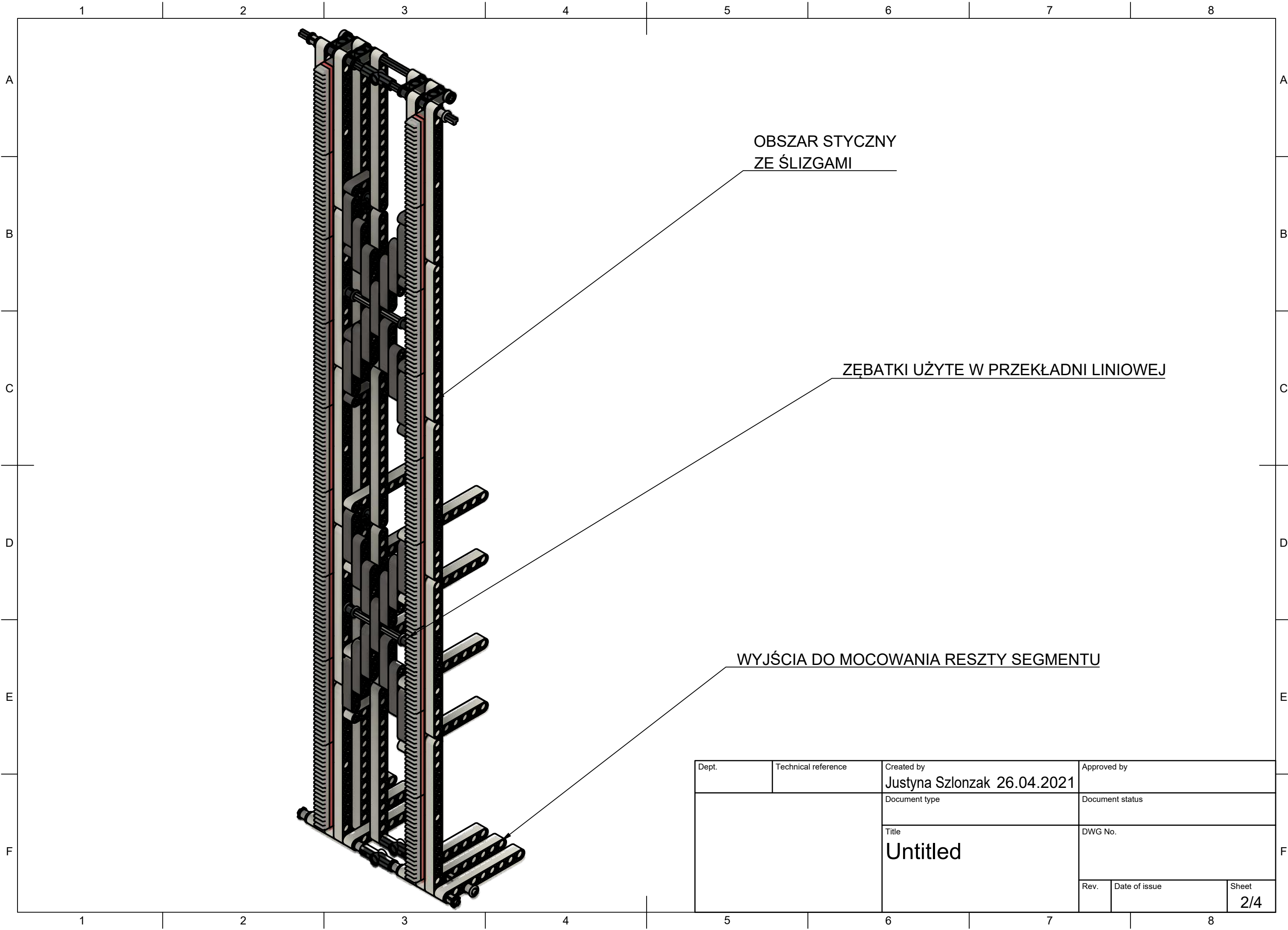
1 2 3 4 5 6 7 8

Dept.	Technical reference	Created by Zuzanna Goluchowska 18.04.2021	Approved by
		Document type	Document status
		Title Łapka - Base Model 2	DWG No.
Rev.	Date of issue	Sheet 5/5	

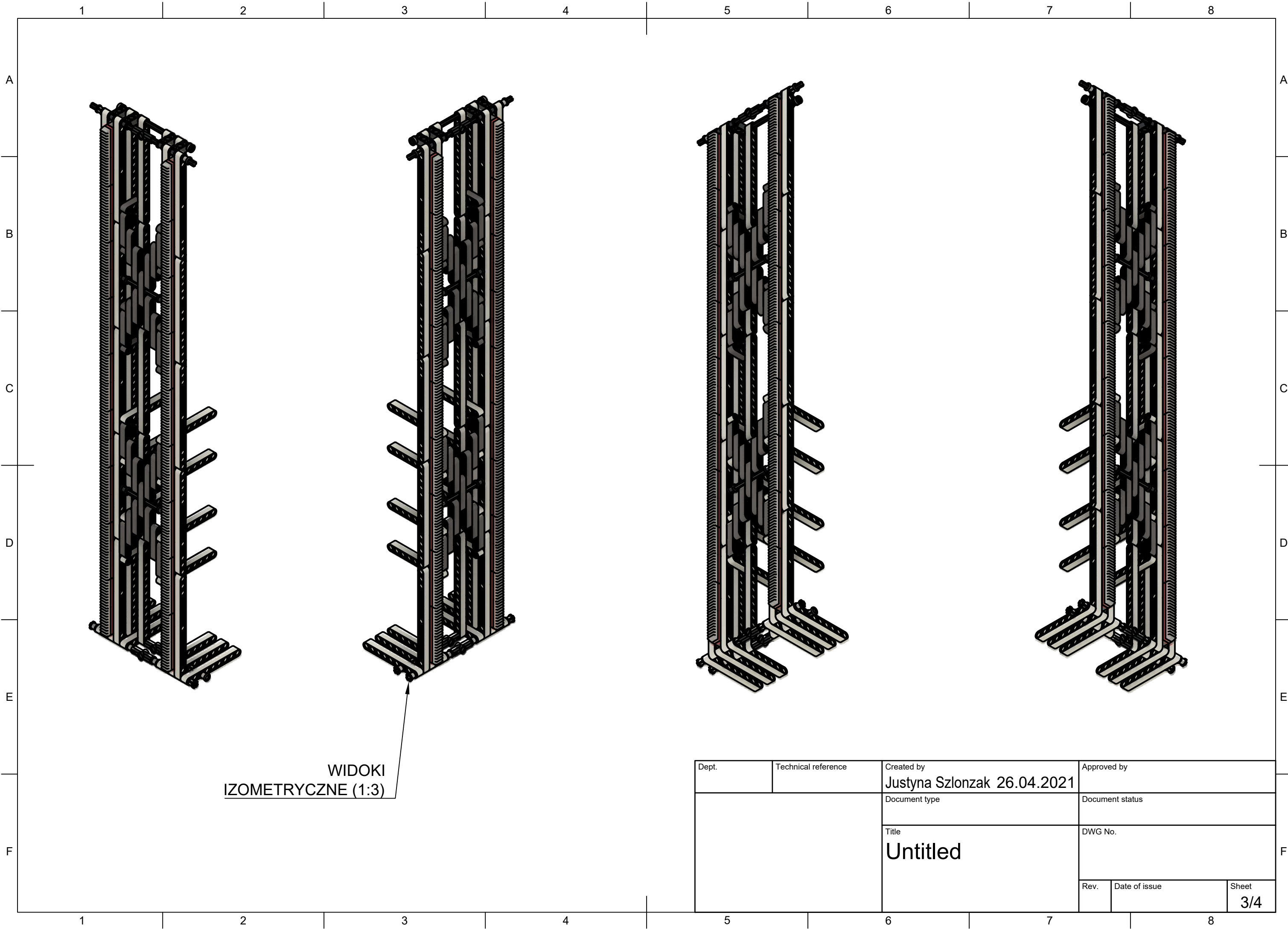
A
B
C
D
E
F



Dept.	Technical reference	Created by Justyna Szlonzak 26.04.2021	Approved by
		Document type	Document status
		Title Untitled	DWG No.
	Rev.	Date of issue	Sheet 1/4

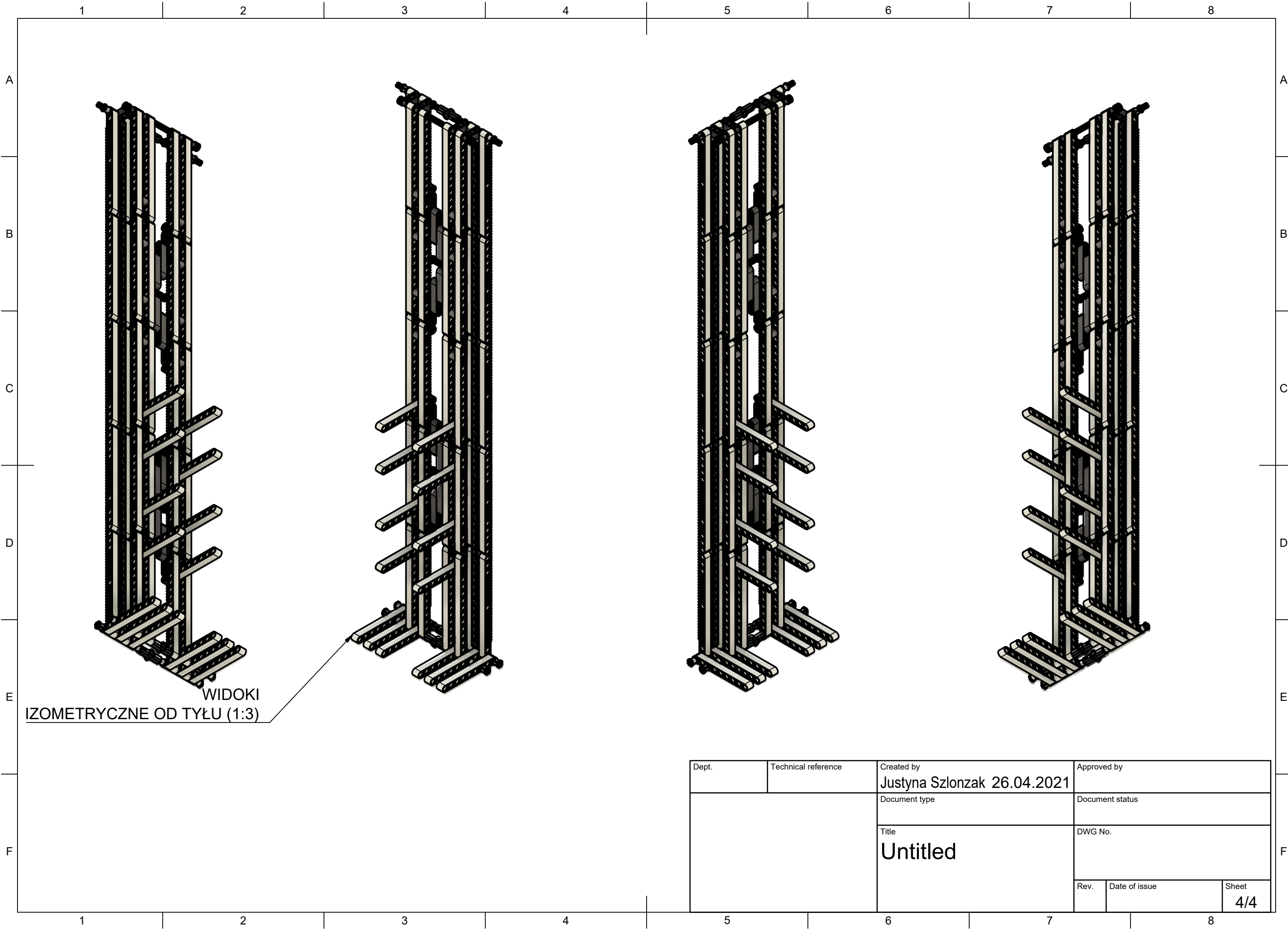


Dept.	Technical reference	Created by Justyna Szlonzak 26.04.2021	Approved by
		Document type	Document status
		Title Untitled	DWG No.
Rev.	Date of issue	Sheet 2/4	



WIDOKI
IZOMETRYCZNE (1:3)

Dept.	Technical reference	Created by Justyna Szlonzak 26.04.2021	Approved by
		Document type	Document status
		Title Untitled	DWG No.
	Rev.	Date of issue	Sheet 3/4



WIDOKI
IZOMETRYCZNE OD TYŁU (1:3)

Dept.	Technical reference	Created by Justyna Szlonzak 26.04.2021	Approved by	
		Document type	Document status	
		Title Untitled	DWG No.	
		Rev.	Date of issue	Sheet 4/4